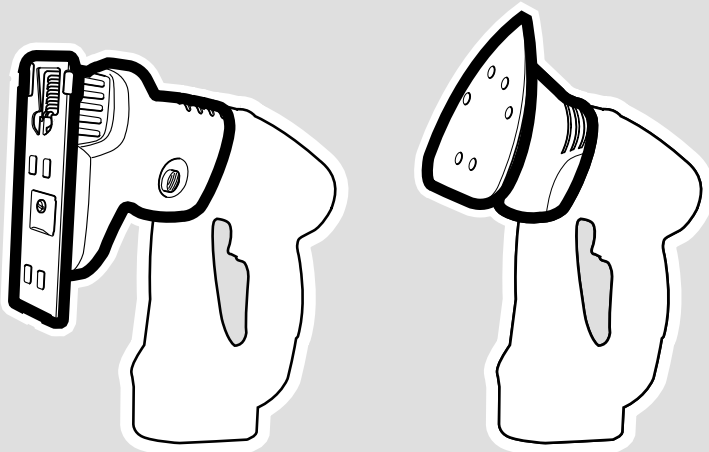
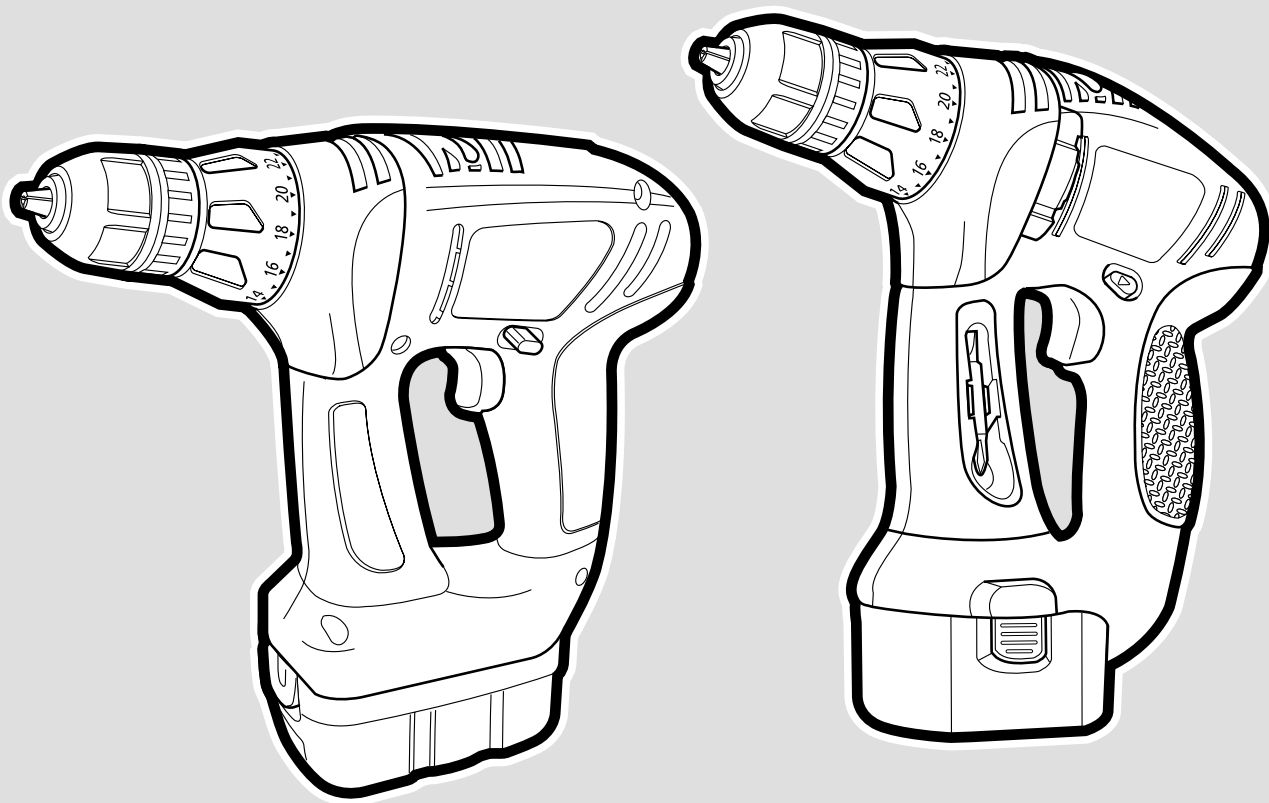
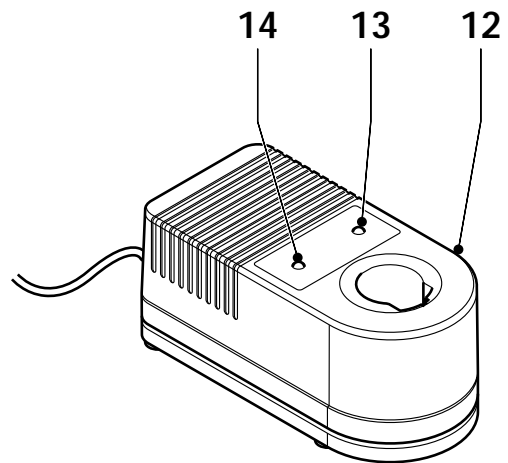
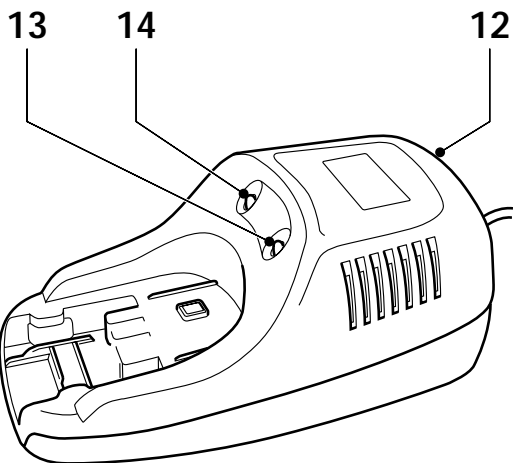
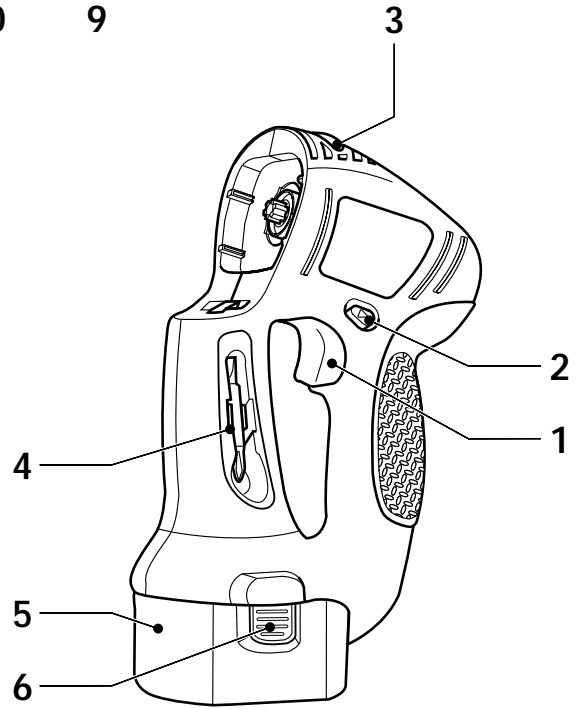
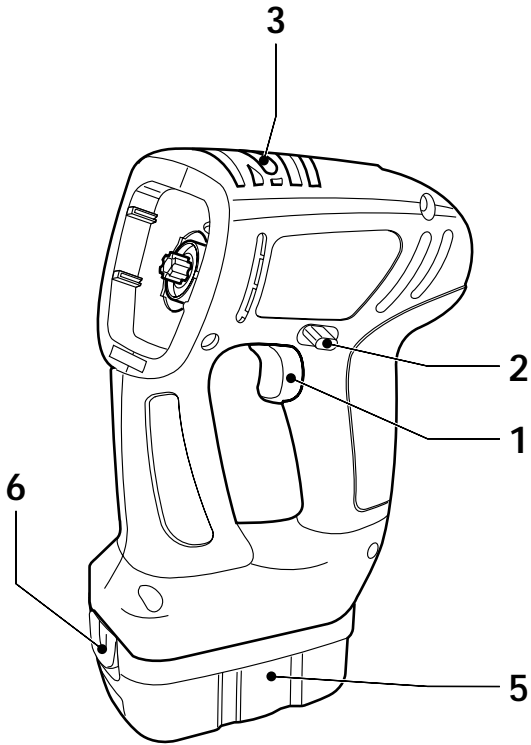
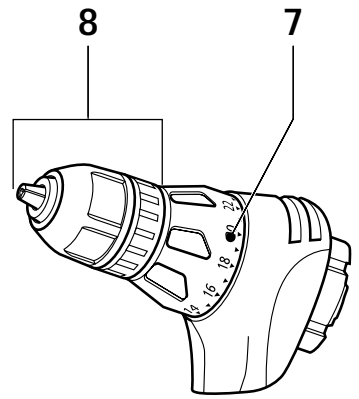
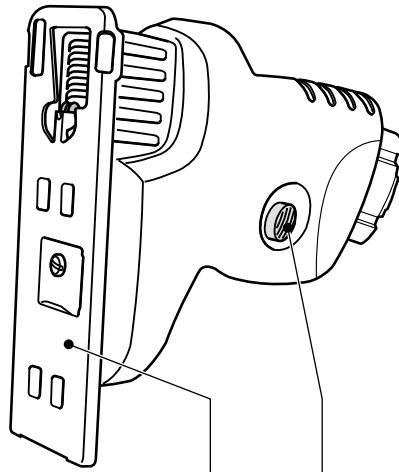
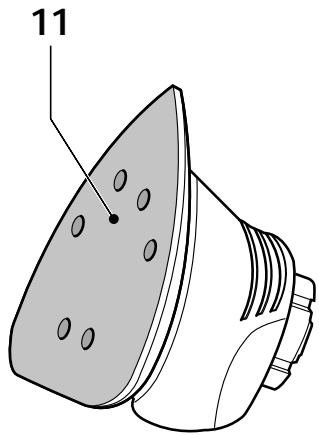




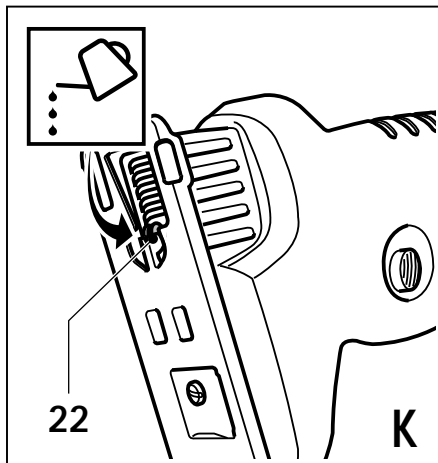
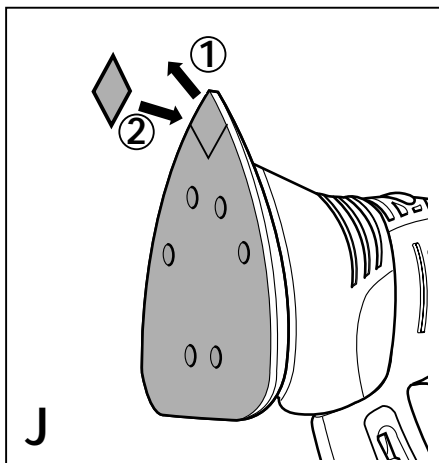
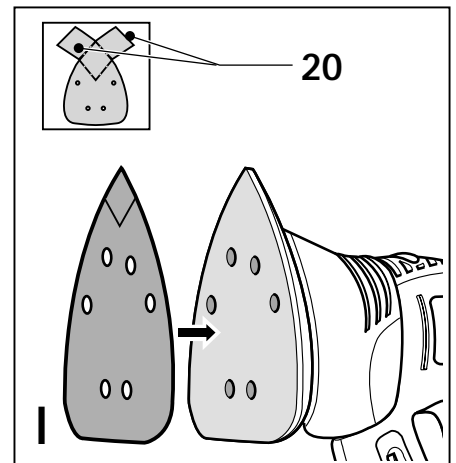
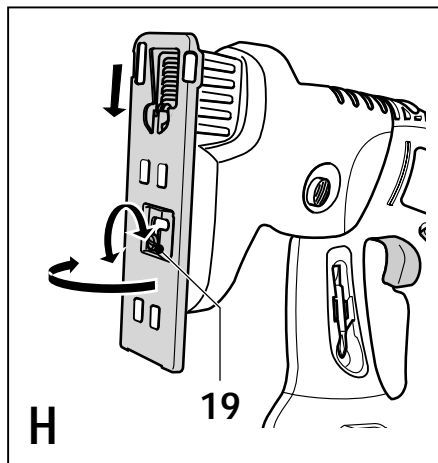
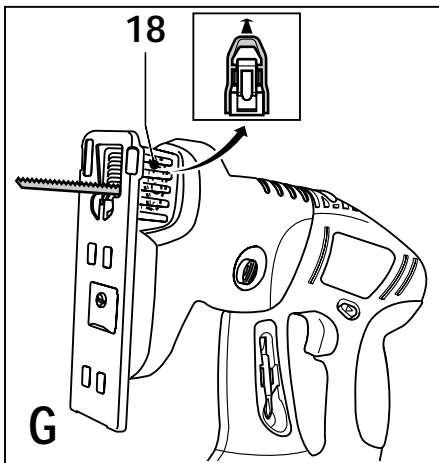
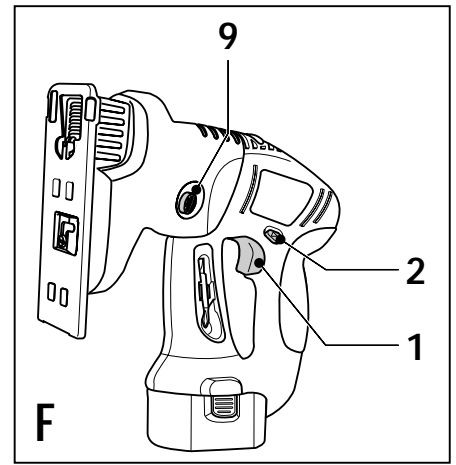
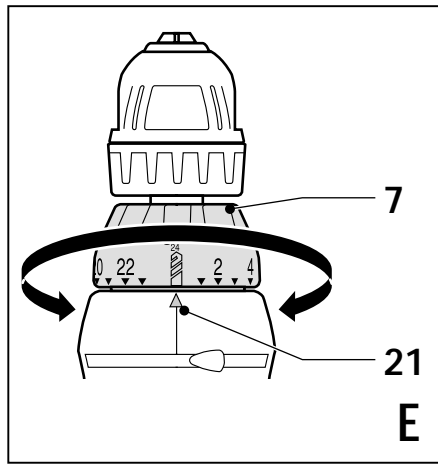
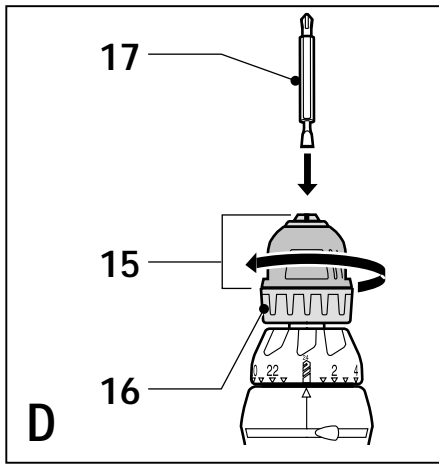
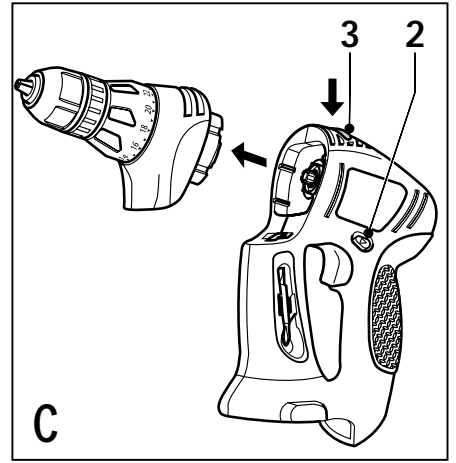
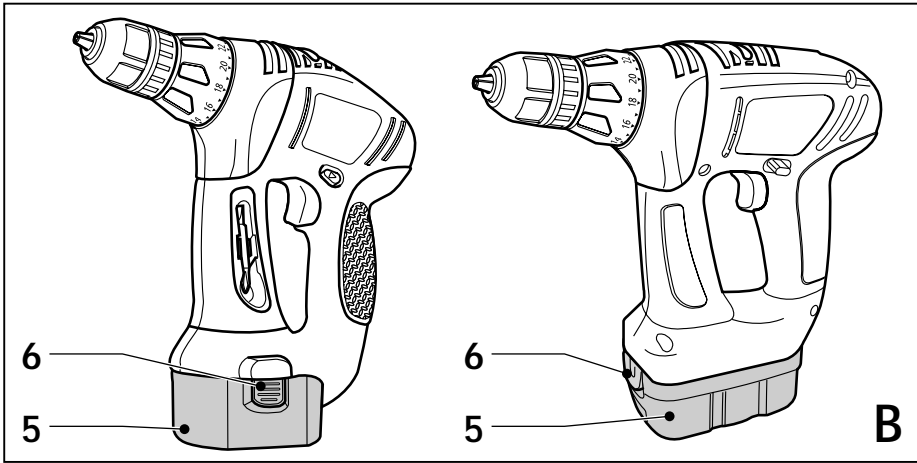
BLACK & DECKER®



English	3
Deutsch	10
Français	17
Italiano	24
Nederlands	31
Español	38
Português	45
Svenska	52
Norsk	58
Dansk	64
Suomi	70
Ελληνικά	76



A



Intended use

Your Black & Decker multi-purpose tool has been designed for a wide range of DIY applications.

Using the drill/screwdriver head, this tool is intended for screwdriving applications and for drilling in wood, metal, plastics and soft masonry.

Using the jigsaw head, this tool is intended for sawing wood, metal and plastics.

Using the sander head, this tool is intended for sanding wood, metal, plastics and painted surfaces.

This tool is intended for consumer use only.

Your Black & Decker charger has been designed for charging Black & Decker batteries of the type supplied with this tool.

Safety instructions

- ◆ **Warning!** When using battery-powered tools, basic safety precautions, including the following, should always be followed to reduce the risk of fire, leaking batteries, personal injury and material damage.
- ◆ Read all of this manual carefully before operating the tool.
- ◆ Retain this manual for future reference.

Keep work area clean

Cluttered areas and benches can cause accidents.

Consider work area environment

Do not expose the tool to rain. Do not use the tool in damp or wet conditions. Keep the work area well lit. Do not use the tool where there is a risk of causing fire or explosion, e.g. in the presence of flammable liquids and gases.

Keep children away

Do not allow children, visitors or animals to come near the work area or to touch the tool.

Dress properly

Do not wear loose clothing or jewellery, as these can be caught in moving parts. Preferably wear rubber gloves and non-slip footwear when working outdoors. Wear protective hair covering to keep long hair out of the way.

Personal protection

Always use safety glasses. Use a face or dust mask whenever the operations may produce dust or flying particles.

Hearing protection should be worn.

Do not overreach

Keep proper footing and balance at all times.

Stay alert

Watch what you are doing. Use common sense.

Do not operate the tool when you are tired.

Secure workpiece

Use clamps or a vice to hold the workpiece. It is safer and it frees both hands to operate the tool.

Connect dust extraction equipment

If devices are provided for the connection of dust extraction and collection facilities, ensure that these are connected and properly used.

Remove adjusting keys and wrenches

Always check that adjusting keys and wrenches are removed from the tool before operating the tool.

Use appropriate tool

The intended use is described in this instruction manual.

Do not force small tools or attachments to do the job of a heavy-duty tool. The tool will do the job better and safer at the rate for which it was intended. Do not force the tool.

Warning! The use of any accessory or attachment or performance of any operation with this tool other than those recommended in this instruction manual may present a risk of personal injury.

Check for damaged parts

Before use, carefully check the tool for damage. Check for misalignment and seizure of moving parts, breakage of parts, damage to guards and switches and any other conditions that may affect its operation. Ensure that the tool will operate properly and perform its intended function. Do not use the tool if any part is damaged or defective. Do not use the tool if the switch does not turn it on and off. Have any damaged or defective parts repaired or replaced by an authorised repair agent. Never attempt any repairs yourself.

Remove the battery

Where the design permits, remove the battery when the tool is not in use, before changing any parts of the tool, accessories or attachments and before servicing.

Avoid unintentional starting

Do not carry the tool with a finger on the on/off switch.

Be sure that the tool is switched off when inserting the battery into the tool.

Do not abuse cord

Never carry the charger by its cord or pull it to disconnect from the socket. Keep the cord away from heat, oil and sharp edges.

Store idle tools

When not in use, tools, batteries and chargers should be stored in a dry, locked up or high place, out of reach of children.

Maintain tools with care

Keep cutting tools sharp and clean for better and safer performance. Follow the instructions for maintenance and changing accessories. Keep handles and switches dry, clean and free from oil and grease.

Repairs

This tool complies with relevant safety requirements.

Repairs should only be carried out by qualified persons using original spare parts; otherwise this may result in considerable danger to the user.

Additional safety instructions for batteries and chargers

Batteries

- ◆ Never attempt to open for any reason.
- ◆ Do not expose the battery to water.

- ◆ Do not store in locations where the temperature may exceed 40 °C.
- ◆ Charge only at ambient temperatures between 4 °C and 40 °C.
- ◆ Charge only using the charger provided with the tool.
- ◆ When disposing of batteries, follow the instructions given in the section "Protecting the environment".
- ◆ Under extreme conditions, battery leakage may occur. When you notice liquid on the battery, proceed as follows:
 - Carefully wipe the liquid off using a cloth. Avoid skin contact.
 - In case of skin or eye contact, follow the instructions below.

Warning! The battery fluid, a 25-30% solution of potassium hydroxide, can be harmful. In case of skin contact, immediately rinse with water. Neutralise with a mild acid such as lemon juice or vinegar. In case of eye contact, rinse abundantly with clean water for at least 10 minutes. Consult a physician.



Fire hazard! Avoid short-circuiting the contacts of a detached battery (e.g. when storing the battery in a toolbox).



Do not incinerate the battery.



Do not attempt to charge damaged batteries.

Chargers

- ◆ Use your Black & Decker charger only to charge batteries of the type supplied with your tool. Other batteries could burst, causing personal injury and damage.
- ◆ Never attempt to charge non-rechargeable batteries.
- ◆ Have defective cords replaced immediately.
- ◆ Do not expose to water.
- ◆ Do not open the charger.
- ◆ Do not probe the charger.



The charger is intended for indoor use only.

Additional safety instructions for drill/screwdrivers

- ◆ Before drilling into walls, floors or ceilings, check for the location of wiring and pipes.
- ◆ Avoid touching the tip of a drill bit just after drilling, as it may be hot.

Additional safety instructions for jigsaws

- ◆ Always use the appropriate type of saw blade for the workpiece material and type of cut.
- ◆ Only use saw blades in perfect condition.

- ◆ Always switch the tool off and wait for the saw blade to come to a complete standstill before putting the tool down.
- ◆ Keep your hands well clear of the saw blade while working.
- ◆ Whenever possible, use clamps or a vice to secure the workpiece.

Additional safety instructions for sanders

- ◆ Always wear a dust mask whenever sanding.
- ◆ Thoroughly remove all dust after sanding.
- ◆ Take special care when sanding paint which is possibly lead based or when sanding some woods and metal which may produce toxic dust:
 - Wear a dust mask specifically designed for protection against lead paint dust and fumes and ensure that persons within or entering the work area are also protected.
 - Do not let children or pregnant women enter the work area.
 - Do not eat, drink or smoke in the work area.
 - Dispose of dust particles and any other debris safely.

Electrical safety

Your charger has been designed for a specific mains voltage. Always check that the mains voltage corresponds to the voltage on the rating plate.



Your charger is double insulated in accordance with EN 60335; therefore no earth wire is required.

OVERVIEW (fig. A)

Motor unit

1. Variable speed switch
2. Forward/reverse slider
3. Head release button
4. Bit holder
5. Battery
6. Battery release buttons

Drill/screwdriver head

7. Torque adjustment collar
8. Chuck

Jigsaw head

9. Lock-off button
10. Saw shoe

Sander head

11. Sanding base

Charger

12. Charger
13. Charging indicator
14. End of charge indicator

Assembly

Warning! Before assembly, remove the battery from the tool.

Fitting and removing the battery (fig. B)

KC2000

- ◆ To fit the battery (5), line it up with the receptacle on the tool. Slide the battery into the receptacle and push until the battery snaps into place.
- ◆ To remove the battery, push the two release buttons (6) simultaneously while at the same time pulling the battery out of the receptacle.

KC2002

- ◆ To fit the battery (5), line it up with the receptacle on the tool. Slide the battery into the receptacle and push until the battery snaps into place.
- ◆ To remove the battery, push the release button (10) while at the same time pulling the battery out of the receptacle.

Fitting and removing tool heads (fig. C)

The different tool heads can be easily exchanged.

- ◆ Lock the tool by setting the forward/reverse slider (2) to the centre position.
- ◆ To remove a tool head, depress the head release button (3) and take the head off the tool.
- ◆ To fit a tool head, line it up with the tool as shown and push it onto the tool until it snaps into place.

Fitting and removing a drill bit or screwdriver bit (fig. A & D)

The drill/screwdriver head is fitted with a keyless chuck to allow for an easy exchange of bits.

- ◆ Lock the tool by setting the forward/reverse slider (2) to the centre position (fig. A).
- ◆ Open the chuck by turning the front part (15) with one hand while holding the rear part (16) with the other (fig. D).
- ◆ Insert the bit shaft (17) into the chuck.
- ◆ Firmly tighten the chuck by turning the front part (15) with one hand while holding the rear part (16) with the other.

This tool is supplied with a double-ended screwdriver bit in the bit holder (4) (fig. A).

- ◆ To remove the screwdriver bit from the bit holder, lift the bit from the recess.
- ◆ To store the screwdriver bit, firmly push it into the holder.

Fitting and removing a saw blade (fig. F & G)

- ◆ Lock the tool by setting the forward/reverse slider (2) to the centre position (fig. F).
- ◆ To fit a saw blade, lift the lever (18) and hold it in this position (fig. G).

- ◆ Insert the saw blade into the holder as shown. Make sure that the teeth are pointing to the front.
- ◆ Release the lever.
- ◆ To remove the saw blade, lift the lever (18) and pull the saw blade from the holder.

Fitting and removing sanding sheets (fig. F & I)

The sanding head uses pre-cut sanding sheets.

- ◆ Lock the tool by setting the forward/reverse slider (2) to the centre position (fig. F).
- ◆ Before fitting a new sheet, remove the two additional diamond tips (20) (fig. I).
- ◆ To fit a sanding sheet, line it up with the sanding base as shown.
- ◆ Press the sheet firmly and evenly onto the sanding base, making sure that the holes in the sheet coincide with the holes in the base.
- ◆ To remove the sheet, pull it off the sanding pad.

Warning! Never use the sanding head without a sanding sheet or accessory in place.

Replacing the diamond sanding tip (fig. F & J)

Sanding sheets are supplied with two replacement diamond tips. The diamond tip can be reversed when worn. When both sides are worn, replace the diamond tip.

- ◆ Lock the tool by setting the forward/reverse slider (2) to the centre position (fig. F).
- ◆ To reverse the tip, remove it, turn it 180° and press it back onto the base as shown (fig. J).
- ◆ To replace the tip, pull the old tip off the base and press a new one onto the base.

Warning! When removing the tip from the pad, be careful not to pull the pad off the sanding base.

Use

Warning! Let the tool work at its own pace. Do not overload.

Charging the battery (fig. A)

The battery needs to be charged before first use and whenever it fails to produce sufficient power on jobs that were easily done before. A new battery, or a battery that has not been used for an extended period of time, achieves full performance only after approx. 5 charging and discharging cycles. The battery may become warm while charging; this is normal and does not indicate a problem. After normal use, a charging time of 60 minutes will provide sufficient power for most applications. However, further charging for up to 90 minutes could significantly increase the use time, depending on the battery and charging conditions.

Warning! Do not charge the battery at ambient temperatures below 4 °C or above 40 °C. Recommended charging temperature: approx. 24 °C.

- ◆ To charge the battery (5), remove it from the tool and insert it into the charger (12). The battery will only fit into the charger in one way. Do not force. Be sure that the battery is fully seated in the charger.
- ◆ Plug in the charger.
- ◆ Check if the red charging indicator (13) lights up. If the green end of charge indicator (14) lights up now instead, the battery is too hot and cannot be charged.


If this happens, remove the battery from the charger, let the battery cool down for approx. 1 hour and re-insert it.

After approx. 1 hour of charging, the red charging indicator (13) will stop lighting and the green end of charge indicator (14) will light up. The battery is now fully charged.

- ◆ Remove the battery from the charger.

Selecting the torque or drill position (fig. E)

This tool is fitted with a collar to set the torque for tightening screws.

- u For drilling, set the collar (7) to the drilling position by aligning the symbol  with the marking (21).
- ◆ For screwdriving, set the collar to the desired setting. If you do not yet know the appropriate setting, proceed as follows:
 - ◆ Set the collar (7) to position 1.
 - ◆ Tighten the first screw.
 - ◆ If the clutch ratchets before the desired result is achieved, increase the collar setting and continue tightening the screw. Repeat until you reach the correct setting. Use this setting for the remaining screws.

Selecting the direction of rotation (fig. A)

For drilling, sawing, sanding and tightening screws, use forward (clockwise) rotation. For loosening screws or removing a jammed drill bit, use reverse (counterclockwise) rotation.

- ◆ To select forward rotation, push the forward/reverse slider (2) to the left.
- ◆ To select reverse rotation, push the forward/reverse slider to the right.
- ◆ To lock the tool, set the forward/reverse slider into the centre position.

Drilling/screwdriving (fig. A)

- ◆ Select forward or reverse rotation using the forward/reverse slider (2).
- ◆ To switch the tool on, press the variable speed switch (1). The tool speed depends on how far you press the switch.
- ◆ To switch the tool off, release the variable speed switch.

Setting the sawing angle (fig. F & H)

The saw shoe can be set to angles of 0° (straight) and 45° (right-side bevel).

- ◆ Lock the tool by setting the forward/reverse slider (2) to the centre position (fig. F).
- ◆ Loosen the screw (19) until the shoe can move freely (fig. H).
- ◆ Pull the saw shoe forward and tilt it into the required angle.
- ◆ Tighten the screw (19).

Sawing (fig. F)

- ◆ Select forward rotation by moving the forward/reverse slider (2) to the left.
- ◆ To switch the tool on, keep the lock-off button (9) depressed and press the variable speed switch (1). The tool speed depends on how far you press the switch.
- ◆ Release the lock-off button (9).
- ◆ To switch the tool off, release the variable speed switch.

Sanding (fig. A)

- ◆ Select forward rotation by moving the forward/reverse slider (2) to the left.
- ◆ To switch the tool on, press the variable speed switch (1). The tool speed depends on how far you press the switch.
- ◆ To switch the tool off, release the variable speed switch.

Hints for optimum use

Drilling

- ◆ Always apply a light pressure in a straight line with the drill bit.
- ◆ Just before the drill tip breaks through the other side of the workpiece, decrease pressure on the tool.
- ◆ Use a block of wood to back up workpieces that may splinter.
- ◆ Use spade bits when drilling large diameter holes in wood.
- ◆ Use HSS drill bits when drilling in metal.
- ◆ Use masonry bits when drilling in soft masonry.
- ◆ Use a lubricant when drilling metals other than cast iron and brass.
- ◆ Make an indentation using a centre punch at the centre of the hole to be drilled in order to improve accuracy.

Screwdriving

- ◆ Always use the correct type and size of screwdriver bit.
- ◆ If screws are difficult to tighten, try applying a small amount of washing liquid or soap as a lubricant.
- ◆ Always hold the tool and screwdriver bit in a straight line with the screw.

Sawing

- ◆ Always use the appropriate type of saw blade for the workpiece material and type of cut.
- ◆ If necessary, drill a hole near the starting point of the cut.

When sawing wooden workpieces, it is not necessary to drill a pilot hole:

- ◆ Mark the desired starting point.
- ◆ Tilt the tool forward and place the rounded front edge of the saw shoe on the workpiece.
- ◆ Switch the tool on and slowly feed the saw blade into the workpiece at the desired starting point.

When cutting sheet metal:

- ◆ Clamp a piece of plywood or soft wood to the back of the workpiece and saw through the combination in order to obtain a clear cut.
- ◆ Do not force the saw blade into the workpiece. Note that cutting sheet metal will normally take more time than sawing thicker wooden workpieces.
- ◆ Spread a thin film of oil along the cutting line before sawing.
- ◆ To cut, switch the tool on and move it down until the saw blade is exactly over the point of entry.
Lower the rear of the shoe towards the workpiece, maintaining a firm pivoting pressure on the saw shoe. With the shoe flat on the workpiece, feed the blade into the workpiece.

When cutting laminates:

- ◆ Cut thin laminates with the back surface facing up, as splintering is most likely to occur on the side of the workpiece facing the saw shoe.
- ◆ For clean cuts, clamp a piece of plywood or hardboard to both sides of the laminate and cut through the resulting sandwich.

Sanding

- ◆ Do not exert too much pressure on the tool.
- ◆ Regularly check the condition of the sanding sheet. Replace when necessary.
- ◆ When sanding new layers of paint before applying another layer, use extra fine grit.
- ◆ On very uneven surfaces, or when removing layers of paint, start with a coarse grit. On other surfaces, start with a medium grit. In both cases, gradually change to a fine grit for a smooth finish.
- ◆ Consult your retailer for more information on available accessories for sanding, polishing, stripping and scrubbing.

Maintenance

Your Black & Decker tool has been designed to operate over a long period of time with a minimum of maintenance.

Continuous satisfactory operation depends upon proper tool care and regular cleaning.

Your charger does not require any maintenance apart from regular cleaning.

Warning! Before performing any maintenance on the tool, remove the battery from the tool. Unplug the charger before cleaning it.

- ◆ Regularly clean the ventilation slots in your tool and charger using a soft brush or dry cloth.
- ◆ Regularly clean the motor housing using a damp cloth. Do not use any abrasive or solvent-based cleaner.
- ◆ Regularly open the chuck and tap it to remove any dust from the interior.
- ◆ Regularly apply a drop of light machine oil to the guide roller (22) of the jigsaw head (fig. K).

Protecting the environment

Tools



Black & Decker provides a facility for recycling Black & Decker products and rechargeable batteries once they have reached the end of their working life. This service is provided free of charge. To take advantage of this service please return your product to any authorised repair agent who will collect them on our behalf.

Batteries



Black & Decker batteries can be recharged many times. At the end of their useful life, discard batteries with due care for our environment:

- ◆ Run the battery down completely, then remove it from the tool.
- ◆ NiCd and NiMH batteries are recyclable. Take them to any authorised repair agent or a local recycling station.

You can check the location of your nearest authorised repair agent by contacting your local Black & Decker office at the address indicated in this manual. Alternatively, a list of authorised Black & Decker repair agents and full details of our after-sales service and contacts are available on the Internet at: www.2helpU.com.

Technical data

		KC2000	KC2002
Voltage	V _{DC}	12	14.4
Battery cat. no.		A9275	\$
Drill/screwdriver:			
No-load speed	min ⁻¹	0 - 700	0 - \$
Max. torque	Nm	6.2	\$
Chuck capacity	mm	10	10
Max. drilling capacity in steel/wood	mm	10/25	10/25

Jigsaw:			
No-load speed	min ⁻¹	0 - 3,000	0 - 3,000
Max. depth of cut in wood	mm	38	38
Sawing angles		0°, 45°	0°, 45°
Sander:			
Oscillations (no load)	min ⁻¹	0 - 8,000	0 - 8,000

Battery	A9275	\$
Voltage	V _{DC} 12	14.4
Capacity	Ah 1.5	\$

Charger	
Input voltage	V _{AC} 230
Approx. charging time	h 1

EC declaration of conformity

Black & Decker declares that these products conform to:

EN 50260, EN 55014-1, EN 55014-2, EN 61000-3-2,

EN 61000-3-3, EN 60335

L_{PA} (sound pressure): 82 dB(A), L_{WA} (acoustic power) 95 dB(A),
hand/arm weighted vibration 5.3 m/s²



Colin Wills, Director of Engineering
BDCI, 4/F, 2 Dai Wang Street
Tai Po Industrial Estate
Tai Po NT, Hong Kong

Guarantee

Black & Decker is confident of the quality of its products and offers an outstanding guarantee. This guarantee statement is in addition to and in no way prejudices your statutory rights. The guarantee is valid within the territories of the Member States of the European Union and the European Free Trade Area.

If a Black & Decker product becomes defective due to faulty materials, workmanship or lack of conformity, within 24 months from the date of purchase, Black & Decker guarantees to replace defective parts, repair products subjected to fair wear and tear or replace such products to ensure minimum inconvenience to the customer unless:

- ◆ The product has been used for trade, professional or hire purposes;
- ◆ The product has been subjected to misuse or neglect;
- ◆ The product has sustained damage through foreign objects, substances or accidents;
- ◆ Repairs have been attempted by persons other than authorised repair agents or Black & Decker service staff.

To claim on the guarantee, you will need to submit proof of purchase to the seller or an authorised repair agent. You can check the location of your nearest authorised repair agent by contacting your local Black & Decker office at the address indicated in this manual. Alternatively, a list of authorised Black & Decker repair agents and full details of our after-sales service and contacts are available on the Internet at: www.2helpU.com.

Bestimmungsgemäße Verwendung

Ihr Black & Decker Multifunktionsgerät wurde für vielfältige Heimwerkerarbeiten entwickelt.

Mit dem Bohr-/Schraubkopf eignet sich dieses Gerät für Schraubarbeiten sowie zum Bohren in Holz, Metall, Kunststoff und weichem Mauerwerk.

Mit dem Stichsägekopf eignet sich dieses Gerät zum Sägen in Holz, Metall und Kunststoff.

Mit dem Schleifkopf eignet sich dieses Gerät zum Schleifen von Holz, Metall, Kunststoff und lackierten Oberflächen.

Dieses Gerät ist nicht für den gewerblichen Einsatz vorgesehen. Ihr Black & Decker Ladegerät wurde zum Laden von Black & Decker Akkus vom im Lieferumfang enthaltenen Typ entwickelt.

Sicherheitshinweise

- ◆ **Warnung!** Bei der Verwendung von Akkugeräten sind zum Schutz gegen Feuergefahr, gegen Austreten der Akkuflüssigkeit sowie gegen Körper- und Sachschaden grundlegende Sicherheitsmaßnahmen, einschließlich der folgenden Vorschriften, zu beachten.
- ◆ Lesen Sie diese Anleitung gründlich durch, bevor Sie das Gerät verwenden.
- ◆ Bewahren Sie diese Anleitung auf.

Halten Sie Ihren Arbeitsbereich in Ordnung!

Unordnung im Arbeitsbereich führt zu Unfallgefahren.

Berücksichtigen Sie Umgebungseinflüsse!

Setzen Sie das Gerät keinem Regen aus. Verwenden Sie das Gerät nicht in einer feuchten oder nassen Umgebung.

Sorgen Sie für eine gute Beleuchtung des Arbeitsbereiches. Benutzen Sie das Gerät nicht an Orten, wo Feuergefahr oder Explosionsgefahr besteht, z.B. in der Nähe von brennbaren Flüssigkeiten oder Gasen.

Halten Sie Kinder fern!

Halten Sie Kinder, Besucher und Tiere dem Arbeitsbereich fern und sorgen Sie dafür, daß sie das Gerät nicht berühren.

Tragen Sie geeignete Arbeitskleidung!

Tragen Sie keine weite Kleidung oder Schmuck, da diese von sich bewegenden Teilen erfaßt werden können. Beim Arbeiten im Freien sind Arbeitshandschuhe und rutschfestes Schuhwerk empfehlenswert. Tragen Sie bei langen Haaren ein Haarnetz.

Schutzmaßnahmen

Verwenden Sie immer eine Schutzbrille. Tragen Sie eine Atemschutzmaske, falls die Arbeiten Staub oder Späne erzeugen können. Tragen Sie bei einem hohen oder unangenehmen Schallpegel immer einen Gehörschutz.

Achten Sie auf einen sicheren Stand!

Achten Sie auf einen sicheren Stand, um in jeder Arbeitsposition das Gleichgewicht zu halten.

Seien Sie stets aufmerksam!

Konzentrieren Sie sich auf Ihre Arbeit. Gehen Sie vernünftig vor. Verwenden Sie das Gerät nicht, wenn Sie müde sind.

Sichern Sie das Werkstück!

Benutzen Sie Spannvorrichtungen oder einen Schraubstock, um das Werkstück festzuhalten. Es ist damit sicherer gehalten und ermöglicht die Bedienung des Gerätes mit beiden Händen.

Schließen Sie Vorrichtungen zur Staubabsaugung an!

Falls Vorrichtungen zur Absaugung oder zum Sammeln von Staub an das Gerät angeschlossen werden können, vergewissern Sie sich, daß diese angeschlossen sind und ordnungsgemäß verwendet werden.

Lassen Sie keine Schlüssel stecken!

Überprüfen Sie vor dem Einschalten, ob die Schlüssel und Einstellwerkzeuge entfernt sind.

Benutzen Sie das richtige Gerät!

Die bestimmungsgemäße Verwendung ist in dieser Betriebsanleitung beschrieben. Verwenden Sie keine zu schwachen Geräte oder Zubehörteile für schwere Arbeiten. Mit dem richtigen Gerät erzielen Sie eine optimale Qualität und gewährleisten Ihre persönliche Sicherheit. Überlasten Sie das Gerät nicht.

Warnung! Das Verwenden anderer als der in dieser Anleitung empfohlenen Vorsatzgeräte und Zubehörteile oder die Ausführung von Arbeiten mit diesem Gerät, die nicht der bestimmungsgemäßen Verwendung entsprechen, kann zu Unfallgefahren führen.

Kontrollieren Sie Ihr Gerät auf Beschädigungen!

Überprüfen Sie das Gerät vor der Arbeit auf Beschädigungen. Überprüfen Sie, ob alle beweglichen Teile richtig montiert sind, ob keine Teile gebrochen sind, ob keine Schutzvorrichtungen und Schalter beschädigt sind, und ob irgendwelche andere Schäden den einwandfreien Betrieb des Gerätes beeinträchtigen könnten. Vergewissern Sie sich, daß das Gerät ordnungsgemäß funktionieren wird. Benutzen Sie das Gerät nicht, wenn irgendein Teil defekt ist. Verwenden Sie das Gerät nicht, wenn der Ein-/Aus-Schalter nicht funktioniert. Lassen Sie defekte Teile immer von einer unserer Kundendienstwerkstätten reparieren oder austauschen. Versuchen Sie nie, das Gerät selber zu reparieren.

Entfernen Sie den Akku:

Entfernen Sie, falls möglich, den Akku, wenn Sie das Gerät nicht benutzen, bevor Sie irgendwelche Werkzeuge, Zubehörteile oder Geräteteile auswechseln und bevor Sie irgendwelche Wartungsarbeiten vornehmen.

Vermeiden Sie ein unbeabsichtigtes Einschalten!

Tragen Sie das Gerät nicht mit dem Finger am Ein-/Aus-Schalter. Vergewissern Sie sich, daß das Gerät ausgeschaltet ist, wenn Sie den Akku anbringen.

Behandeln Sie das Kabel sorgfältig!

Tragen Sie das Ladegerät nicht am Kabel und benutzen Sie das Kabel nicht, um den Stecker aus der Steckdose zu ziehen. Schützen Sie das Kabel vor Hitze, Öl und scharfen Kanten.

Bewahren Sie Ihre Geräte sicher auf!

Unbenutzte Geräte, Ladegeräte und Akkus sind an einem trockenen, für Kinder nicht erreichbaren Ort aufzubewahren.

Pflegen Sie Ihre Geräte mit Sorgfalt!

Halten Sie Schneidwerkzeuge scharf und sauber, um gut und sicher arbeiten zu können. Befolgen Sie die Wartungsvorschriften und die Hinweise für den Werkzeugwechsel. Halten Sie Handgriffe und Schalter trocken, sauber und frei von Öl und Fett.

Reparaturen:

Dieses Gerät entspricht den einschlägigen Sicherheitsvorschriften. Reparaturen sind nur von autorisierten Fachkräften und mit Original-Ersatzteilen vorzunehmen; andernfalls kann Unfallgefahr für den Betreiber entstehen.

Zusätzliche Sicherheitshinweise für Akkus und Ladegeräte**Akkus**

- ◆ Versuchen Sie auf keinen Fall, einen Akku zu öffnen.
- ◆ Setzen Sie den Akku keiner Nässe aus.
- ◆ Lagern Sie den Akku nicht an einem Ort, wo die Temperatur 40 °C erreichen kann.
- ◆ Laden Sie den Akku nur bei einer Umgebungstemperatur zwischen 4 °C und 40 °C.
- ◆ Laden Sie den Akku nur mit dem im Lieferumfang enthaltenen Ladegerät (siehe technische Daten).
- ◆ Vergewissern Sie sich vor dem Laden, daß der Akku trocken und sauber ist.
- ◆ Verwenden Sie den korrekten Akkutyp für das jeweilige Gerät (siehe technische Daten).
- ◆ Befolgen Sie bei der Entsorgung von Akkus die Anweisungen im Abschnitt "Umweltschutz".
- ◆ Unter extremen Einsatzbedingungen kann Akkuflüssigkeit aus dem Akku austreten. Wenn sich Flüssigkeit auf dem Akku befindet, gehen Sie folgendermaßen vor:
 - Wischen Sie die Flüssigkeit mit Hilfe eines Tuches vorsichtig vom Akku. Vermeiden Sie eine Berührung mit der Haut.
 - Falls die Flüssigkeit doch mit der Haut oder den Augen in Berührung kommen sollte, befolgen Sie die folgenden Hinweise.

Warnung! Die Akkuflüssigkeit, eine 25 bis 30% starke Kaliumhydroxidlösung, kann schädlich sein. Falls die Lösung mit der Haut in Berührung kommt, spülen Sie sofort mit reichlich Wasser. Neutralisieren Sie die Lösung mit einer milden Säure wie Zitronensaft oder Essig. Falls die Lösung mit den Augen in Berührung kommt, spülen Sie mindestens 10 Minuten lang mit reichlich klarem Wasser. Wenden Sie sich an einen Arzt.



Feuergefahr! Vermeiden Sie, daß Metallteile die Anschlüsse eines nicht am Gerät befindlichen Akkus kurzschließen (z.B. Schlüssel, die zusammen mit dem Akku in einer Tasche getragen werden).



Verbrennen Sie den Akku nicht!



Versuchen Sie nie, einen beschädigten Akku zu laden!

Ladegeräte

- ◆ Verwenden Sie Ihr Black & Decker Ladegerät nur zum Laden von Akkus vom im Lieferumfang enthalten Typ. Andere Akkus könnten platzen und Sach- und Personenschäden verursachen.
- ◆ Versuchen Sie nie, nichtwiederaufladbare Batterien zu laden.
- ◆ Lassen Sie ein beschädigtes Kabel sofort austauschen.
- ◆ Setzen Sie das Ladegerät keiner Nässe aus.
- ◆ Öffnen Sie das Ladegerät nicht.
- ◆ Fassen Sie nicht mit den Fingern oder irgendwelchen Gegenständen in das Ladegerät.



Nicht für die Verwendung im Freien zugelassen!

Zusätzliche Sicherheitshinweise für Bohrschrauber

- ◆ Informieren Sie sich vor dem Bohren in Wänden, Böden und Decken über den genauen Verlauf von Leitungen und Röhren.
- ◆ Vermeiden Sie eine Berührung der Spitze eines Bohrers kurz nach dem Bohren, da sie heiß sein kann.

Zusätzliche Sicherheitshinweise für Stichsägen

- ◆ Verwenden Sie immer ein Sägeblatt, das sich für das zu sägende Material und den jeweiligen Schnitt eignet.
- ◆ Verwenden Sie nur Sägeblätter in einwandfreiem Zustand.
- ◆ Schalten Sie immer das Gerät aus und warten Sie, bis das Sägeblatt zum Stillstand kommt, bevor Sie das Gerät niederlegen.
- ◆ Halten Sie Ihre Hände während der Arbeit dem Sägeblatt fern.
- ◆ Verwenden Sie möglichst immer Spannbacken oder einen Schraubstock, um das Werkstück zu befestigen.

Zusätzliche Sicherheitshinweise für Schleifer

- ◆ Tragen Sie beim Schleifen möglichst immer eine Staubmaske.
- ◆ Entfernen Sie nach dem Schleifen sorgfältig alle Staubreste.
- ◆ Treffen Sie beim Schleifen von möglicherweise bleihaltiger Farbe oder von bestimmten Holz- und Metallarten, die giftigen Staub bilden können, besondere Maßnahmen:
 - Tragen Sie eine spezielle Maske zum Schutz vor Bleifarbstaub und -dämpfen und stellen Sie sicher, daß auch andere Personen, die den Arbeitsplatz betreten, geschützt werden.

- Verhindern Sie, daß Kinder oder Schwangere den Arbeitsplatz betreten.
- Essen, trinken und rauchen Sie nicht am Arbeitsplatz.
- Entsorgen Sie Staubteilchen und andere Schleifabfälle auf fachgerechte Weise.

Elektrische Sicherheit

Überprüfen Sie, ob die Netzspannung der auf dem Typenschild des Ladegerätes angegebenen Spannung entspricht.



Ihr Ladegerät ist gemäß EN 60335 doppelt isoliert; eine Erdleitung ist somit nicht erforderlich.

GERÄTEBESCHREIBUNG (Abb. A)

Antriebseinheit

1. Drehzahl-Regelschalter
2. Linkslauf-/Rechtslauf-Umschalter
3. Löseknopf für Geräteköpfe
4. Schrauberklingenhalter
5. Akku
6. Akku-Löseknöpfe

Bohr-/Schraubkopf

7. Einstellring für Drehmoment
8. Bohrfutter

Stichsägekopf

9. Einschaltsperr
10. Sägeschuh

Schleifkopf

11. Schleifplatte

Ladegerät

12. Ladegerät
13. Ladeanzeige
14. Statusanzeige

Zusammenbau

Achtung! Nehmen Sie vor der Montage den Akku vom Gerät.

Anbringen und Entfernen des Akkus (Abb. B)

KC2000

- ◆ Um den Akku (5) anzubringen, richten Sie ihn mit der Aufnahme im Gerät aus. Schieben Sie den Akku in die Aufnahme und drücken Sie, bis er einrastet.
- ◆ Um den Akku zu entfernen, drücken Sie beide Löseknöpfe (6) gleichzeitig und ziehen Sie den Akku aus der Aufnahme heraus.

KC2002

- ◆ Um den Akku (5) anzubringen, richten Sie ihn mit der Aufnahme im Gerät aus. Schieben Sie den Akku in die Aufnahme und drücken Sie, bis er einrastet.
- ◆ Um den Akku zu entfernen, drücken Sie den Löseknopf (10) und ziehen Sie gleichzeitig den Akku aus der Aufnahme heraus.

Anbringen und Entfernen von Geräteköpfen (Abb. C)

Die verschiedenen Geräteköpfe lassen sich leicht austauschen.

- ◆ Verriegeln Sie das Gerät, indem Sie den Linkslauf-/Rechtslauf-Umschalter (2) in die mittlere Stellung schieben.
- ◆ Um einen Gerätekopf vom Gerät zu entfernen, halten Sie den Löseknopf (3) gedrückt und ziehen den Kopf vom Gerät.
- ◆ Um einen Gerätekopf anzubringen, richten Sie ihn gemäß der Abbildung mit dem Gerät aus und drücken ihn auf das Gerät, bis er einrastet.

Anbringen und Entfernen eines Bohrers oder einer Schrauberklinge (Abb. A & D)

Der Bohr-/Schraubkopf ist mit einem Schnellspannbohrfutter versehen, das ein leichtes und schnelles Austauschen von Bohrern und Schrauberklingen ermöglicht.

- ◆ Verriegeln Sie das Gerät, indem Sie den Linkslauf-/Rechtslauf-Umschalter (2) in die mittlere Stellung schieben (Abb. A).
- ◆ Öffnen Sie das Bohrfutter, indem Sie den vorderen Teil (15) mit der einen Hand aufdrehen, während Sie den hinteren Teil (16) mit der anderen Hand festhalten (Abb. D).
- ◆ Stecken Sie den Schaft (17) des Bohrers bzw. der Schrauberklinge in das Bohrfutter.
- ◆ Ziehen Sie das Bohrfutter fest, indem Sie den vorderen Teil (15) mit der einen Hand zudrehen, während Sie den hinteren Teil (16) mit der anderen Hand festhalten.

Bei der Lieferung befindet sich eine zweiseitige Schrauberklinge in der Aufnahme (4) (Abb. A).

- ◆ Um die Schrauberklinge aus der Aufnahme zu entfernen, ziehen Sie sie aus der Aussparung.
- ◆ Um die Schrauberklinge in der Aufnahme anzubringen, drücken Sie sie fest in die Aufnahme.

Anbringen und Entfernen eines Sägeblattes (Abb. F & G)

- ◆ Verriegeln Sie das Gerät, indem Sie den Linkslauf-/Rechtslauf-Umschalter (2) in die mittlere Stellung schieben (Abb. F).
- ◆ Um ein Sägeblatt anzubringen, ziehen Sie den Hebel (18) hoch und halten ihn in dieser Stellung (Abb. G).
- ◆ Stecken Sie das Sägeblatt wie abgebildet in die Aufnahme. Vergewissern Sie sich, daß die Zähne nach vorne zeigen.
- ◆ Lassen Sie den Hebel los.
- ◆ Um das Sägeblatt zu entfernen, ziehen Sie den Hebel (18) hoch und ziehen das Sägeblatt aus der Aufnahme.

Anbringen und Entfernen von Schleifpapier (Abb. F & I)

Der Schleifkopf verwendet gerätespezifisches Schleifpapier.

- ◆ Verriegeln Sie das Gerät, indem Sie den Linkslauf-/Rechtslauf-Umschalter (2) in die mittlere Stellung schieben (Abb. F).
- ◆ Bevor Sie ein neues Blatt Schleifpapier anbringen, entfernen Sie die beiden zusätzlichen Schleifspitzen (20) (Abb. I).
- ◆ Um das Schleifpapier anzubringen, richten Sie es wie abgebildet mit der Schleifplatte aus.
- ◆ Drücken Sie das Schleifpapier kräftig und gleichmäßig auf die Schleifplatte. Sorgen Sie dafür, daß die Löcher im Schleifpapier mit denen in der Schleifplatte fluchten.
- ◆ Um das Schleifpapier zu entfernen, ziehen Sie es von der Schleifplatte.

Achtung! Verwenden Sie den Schleifkopf nie, wenn kein Schleifpapier oder -zubehör auf der Schleifplatte angebracht ist.

Austauschen der Schleifspitze (Abb. F & J)

Jedes Blatt Schleifpapier ist mit zwei Ersatz-Schleifspitzen versehen. Bei Abnutzung kann die Schleifspitze umgekehrt werden. Wenn beide Seiten abgenutzt sind, tauschen Sie die Schleifspitze aus.

- ◆ Verriegeln Sie das Gerät, indem Sie den Linkslauf-/Rechtslauf-Umschalter (2) in die mittlere Stellung schieben (Abb. F).
- ◆ Um die Schleifspitze umzukehren, entfernen Sie sie, drehen Sie um 180° und drücken Sie wieder wie abgebildet auf die Schleifplatte (Abb. J).
- ◆ Um die Schleifspitze auszutauschen, ziehen Sie die alte Spitze von der Schleifplatte und drücken eine neue Spitze auf die Schleifplatte.

Achtung! Gehen Sie beim Entfernen der Spitze vorsichtig vor, damit Sie den Klettfixbelag nicht von der Schleifplatte lösen.

Verwendung

Achtung! Beschleunigen Sie den Arbeitsvorgang nicht mit Gewalt. Vermeiden Sie eine Überlastung des Gerätes.

Laden des Akkus (Abb. A)

Der Akku ist zu laden, bevor Sie das Akku-Gerät zum ersten Mal benutzen sowie wenn die Leistung des Akku-Geräts spürbar nachläßt. Ein neuer oder länger nicht verwendeter Akku erreicht seine volle Leistung erst nach ca. 5 Lade- und Entladezyklen. Während des Ladens kann sich der Akku erwärmen. Dies deutet nicht auf irgendein Problem hin. Bei normalem Gebrauch liefert eine Ladezeit von 60 Minuten für die meisten Einsätze ausreichend Energie. Je nach Zustand des Akkus und den Ladebedingungen kann eine weitere Ladezeit von bis zu 90 Minuten die Einsatzzeit jedoch beträchtlich erhöhen.

Achtung! Laden Sie den Akku nicht bei einer Umgebungstemperatur unter 4 °C oder über 40 °C. Empfohlene Ladetemperatur: zirka 24 °C.


- ◆ Um den Akku (5) zu laden, entfernen Sie ihn vom Gerät und stecken ihn in das Ladegerät (12). Der Akku läßt sich nur in einer Stellung in das Ladegerät einführen. Wenden Sie keine Gewalt an. Vergewissern Sie sich, daß der Akku vollständig in das Ladegerät eingeführt ist.
- ◆ Stecken Sie das Ladegerät in die Steckdose.
- ◆ Überprüfen Sie, ob die rote Ladeanzeige (13) aufleuchtet. Falls statt dessen die grüne Statusanzeige (14) aufleuchtet, ist der Akku zu heiß zum Laden. Ist dies der Fall, so nehmen Sie den Akku aus dem Ladegerät, lassen ihn eine Stunde lang abkühlen und stecken ihn dann wieder in das Ladegerät.

Nach dem zirka einstündigen Ladevorgang erlischt die rote Ladeanzeige (13) und die grüne Statusanzeige (14) leuchtet auf. Der Akku ist nun vollständig geladen.

- ◆ Entfernen Sie den Akku vom Ladegerät.

Einstellen des Drehmomentes bzw. der Bohrfunktion (Abb. E)

Dieses Gerät ist mit einem Drehring zur Einstellung des Drehmomentes beim Eindrehen von Schrauben versehen.

- ◆ Zum Bohren drehen Sie den Ring (7) in die Bohrstellung, indem Sie das Symbol  mit der Markierung (21) ausrichten.
- ◆ Zum Schrauben drehen Sie den Ring in die gewünschte Stellung. Falls Sie die richtige Einstellung noch nicht kennen, gehen Sie folgendermaßen vor:
 - ◆ Drehen Sie den Ring (7) in die Stellung 1.
 - ◆ Ziehen Sie die erste Schraube fest.
 - ◆ Falls die Kupplung zu schnell auskuppelt, stellen Sie den Ring auf einen größeren Wert ein und setzen Sie den Schraubvorgang fort. Wiederholen Sie diese Methode, bis Sie den richtigen Wert gefunden haben. Verwenden Sie diesen Wert für die anderen Schrauben.

Wahl der Drehrichtung (Abb. A)

Zum Bohren, Sägen und Schleifen sowie zum Eindrehen von Schrauben verwenden Sie den Rechtslauf. Zum Lösen von Schrauben sowie zum Lösen eines festsitzenden Bohrers verwenden Sie den Linkslauf.

- ◆ Für Rechtslauf drücken Sie den Linkslauf-/Rechtslauf-Umschalter (2) nach links.
- ◆ Für Linkslauf drücken Sie den Linkslauf-/Rechtslauf-Umschalter nach rechts.
- ◆ Um das Gerät zu verriegeln, schieben Sie den Linkslauf-/Rechtslauf-Umschalter in die mittlere Stellung.

Bohren/Schrauben (Abb. A)

- ◆ Wählen Sie mit Hilfe des Linkslauf-/Rechtslauf-Umschalters (2) Links- bzw. Rechtslauf.
- ◆ Um das Gerät einzuschalten, drücken Sie den Drehzahl-Regelschalter (1). Je tiefer Sie den Schalter drücken, um so höher ist die Drehzahl des Geräts.
- ◆ Um das Gerät auszuschalten, lassen Sie den Drehzahl-Regelschalter los.

Einstellen des Schnittwinkels (Abb. F & H)

Der Sägeschuh kann auf einen Schnittwinkel von 0° (Geradschnitt) oder 45° (rechte Neigung) eingestellt werden.

- ◆ Verriegeln Sie das Gerät, indem Sie den Linkslauf-/Rechtslauf-Umschalter (2) in die mittlere Stellung schieben (Abb. F).
- ◆ Lockern Sie die Schraube (19), so daß der Sägeschuh sich frei bewegen kann (Abb. H).
- ◆ Ziehen Sie den Sägeschuh nach hinten und drehen Sie ihn in den gewünschten Winkel.
- ◆ Ziehen Sie die Schraube (19) fest.

Sägen (Abb. F)

- ◆ Wählen Sie Rechtslauf, indem Sie den Linkslauf-/Rechtslauf-Umschalter (2) nach links schieben.
- ◆ Um das Gerät einzuschalten, halten Sie die Einschaltsperrle (9) gedrückt und drücken Sie den Drehzahl-Regelschalter (1). Je tiefer Sie den Schalter drücken, um so höher ist die Drehzahl des Geräts.
- ◆ Lassen Sie die Einschaltsperrle (9) los.
- ◆ Um das Gerät auszuschalten, lassen Sie den Drehzahl-Regelschalter los.

Schleifen (Abb. A)

- ◆ Wählen Sie Rechtslauf, indem Sie den Linkslauf-/Rechtslauf-Umschalter (2) nach links schieben.
- ◆ Um das Gerät einzuschalten, drücken Sie den Drehzahl-Regelschalter (1). Je tiefer Sie den Schalter drücken, um so höher ist die Drehzahl des Geräts.
- ◆ Um das Gerät auszuschalten, lassen Sie den Drehzahl-Regelschalter los.

Hinweise für optimale Arbeitsergebnisse

Bohren

- ◆ Üben Sie immer einen leichten Druck in Richtung der Bohrspitze aus.
- ◆ Sobald Sie spüren, daß das Werkstück fast durchbohrt ist, reduzieren Sie schrittweise den Druck auf die Bohrspitze, bis der Bohrvorgang beendet ist.
- ◆ Beim Bohren in Werkstücke, die leicht splintern oder ausreißen, legen Sie einen Holzklötzchen hinter das Werkstück.

- ◆ Verwenden Sie zum Bohren größerer Löcher in Holz einen Schlangebohrer.
- ◆ Verwenden Sie zum Bohren in Metall HSS-Bohrer.
- ◆ Verwenden Sie zum Bohren in weiches Mauerwerk Steinbohrer.
- ◆ Verwenden Sie beim Bohren in andere Metalle als Gußeisen und Messing eine Kühlflüssigkeit.
- ◆ Markieren Sie die Bohrstelle mit Hilfe eines Bohrkörners, um ein positionsgenaueres Bohren zu gewährleisten.

Schrauben

- ◆ Verwenden Sie immer Schrauberklingen des richtigen Typs und in der richtigen Größe.
- ◆ Falls sich Schrauben schwer eindrehen lassen, tragen Sie etwas Spülmittel oder Seife als Schmiermittel an der Schraube auf.
- ◆ Halten Sie das Gerät und die Schrauberklinge immer in einer geraden Linie mit der Schraube.

Sägen

- ◆ Verwenden Sie immer ein Sägeblatt, das sich für das zu sägende Material und den gewünschten Schnitttyp eignet.
- ◆ Bei Bedarf bohren Sie ein Loch an der Stelle, wo Sie den Schnitt beginnen wollen.

Beim Sägen von Werkstücken aus Holz ist das Bohren eines Loches nicht erforderlich:

- ◆ Markieren Sie den gewünschten Anfangspunkt.
- ◆ Kippen Sie das Gerät nach vorne und setzen Sie die gerundete vordere Kante des Sägeschuhs auf das Werkstück auf.
- ◆ Schalten Sie das Gerät ein und drücken Sie das Sägeblatt an der gewünschten Stelle langsam in das Werkstück.

Beim Sägen von Metallblech:

- ◆ Klemmen Sie ein Stück Sperrholz oder Nadelholz auf die Rückseite des Werkstücks und durchsägen Sie diese Kombination, um einen sauberen Schnitt zu erzielen.
- ◆ Zwingen Sie das Sägeblatt nicht in das Werkstück. Beachten Sie, daß das Sägen von Metallblech oft mehr Zeit in Anspruch nimmt als das Sägen dickerer Holzplatten.
- ◆ Bringen Sie vor dem Sägen eine dünne Schicht Öl entlang der Schnittlinie an.
- ◆ Zum Sägen schalten Sie das Gerät ein und bewegen es nieder, bis das Sägeblatt sich genau über dem Anfangspunkt befindet. Senken Sie die Rückseite des Sägeschuhs auf das Werkstück, während Sie einen ausreichenden Druck auf den Sägeschuh ausüben. Wenn der Sägeschuh flach auf dem Werkstück aufliegt, bewegen Sie das Sägeblatt in das Werkstück.

Beim Sägen von Laminaten:

- ◆ Sägen Sie dünne Laminat mit der Rückseite nach oben, da das Werkstück meistens an der Seite splittert, wo der Sägeschuh aufliegt.
- ◆ Für saubere Schnitte klemmen Sie ein Stück Sperrholz oder Holzfaserplatte auf beide Seiten des Laminates und durchsägen diese Kombination.

Schleifen

- ◆ Üben Sie keinen zu großen Druck auf das Gerät aus.
- ◆ Überprüfen Sie regelmäßig den Zustand des Schleifpapiers. Tauschen Sie es bei Bedarf aus.
- ◆ Zum Schleifen frischer Farbschichten vor dem Auftragen weiterer Schichten verwenden Sie sehr feines Schleifpapier.
- ◆ Auf sehr unebenen Oberflächen sowie zum Entfernen alter Farbschichten verwenden Sie zunächst grobes Schleifpapier. Auf anderen Oberflächen verwenden Sie zunächst mittelgrobes Schleifpapier. In beiden Fällen wechseln Sie nach einiger Zeit auf feines Schleifpapier, damit Sie eine sehr glatte Oberfläche erhalten.
- ◆ Wenden Sie sich für weitere Informationen über Schleif-, Polier- und Scheuerzubehör an Ihren Händler.

Wartung

Ihr Black & Decker Gerät wurde im Hinblick auf eine lange Lebensdauer und einen möglichst geringen Wartungsaufwand entwickelt. Ein dauerhafter, einwandfreier Betrieb setzt eine regelmäßige Reinigung voraus.

Ihr Ladegerät bedarf keiner Wartung, außer einer regelmäßigen Reinigung.

Achtung! Bevor Sie irgendwelche Wartungsarbeiten vornehmen, entfernen Sie den Akku vom Akku-Gerät. Ziehen Sie den Netzstecker des Ladegerätes aus der Steckdose, bevor Sie es reinigen.

- ◆ Reinigen Sie regelmäßig die Lüftungsschlitze im Gerät und Ladegerät mit Hilfe einer weichen Bürste oder eines trockenen Tuches.
- ◆ Reinigen Sie regelmäßig das Motorgehäuse mit Hilfe eines feuchten Tuches. Verwenden Sie keine scheuernden Reinigungsmittel oder Reinigungsmittel auf Lösungsmittelbasis.
- ◆ Reinigen Sie regelmäßig das Bohrfutter, indem Sie es öffnen und durch leichtes Klopfen Staub aus dem Inneren des Bohrfutters entfernen.
- ◆ Bringen Sie regelmäßig einen Tropfen Maschinenöl auf der Führungsrolle (22) des Stichsägekopfes an (Abb. K).

Umweltschutz

Geräte



Black & Decker nimmt Ihre ausgedienten Black & Decker Geräte und Akkus gern zurück und sorgt für eine umweltfreundliche Entsorgung. Diese Dienstleistung ist für Sie kostenlos. Um diese Dienstleistung in Anspruch zu nehmen, geben Sie das Gerät bitte bei einer autorisierten Reparaturwerkstatt ab, die für uns die Einsammlung übernimmt.

Akkus



Black & Decker Akkus lassen sich viele Male wiederaufladen. Am Ende des technischen Lebens ist der Akku mit Rücksicht auf die Umwelt und fachgerecht zu entsorgen:

- ◆ Entladen Sie den Akku vollständig und entfernen Sie ihn vom Gerät.
- ◆ NiMH- und NiCd-Akkus sind wiederverwertbar. Zur Wiederverwertung oder umweltverträglichen Entsorgung sind sie bei Ihrem Händler oder einer kommunalen Sammelstelle abzugeben.

Die Adresse des zuständigen Büros von Black & Decker steht in diesem Handbuch, darüber läßt sich die nächstgelegene Vertragswerkstatt ermitteln. Außerdem ist eine Liste der Vertragswerkstätten und aller Kundendienststellen von Black & Decker sowie der zuständigen Ansprechpartner im Internet zu finden unter: www.2helpU.com.

Technische Daten

	KC2000	KC2002	
Spannung	V _{DC} 12	14,4	
Bestellnummer Akku	A9275		\$
Bohrschrauber:			
Leerlaufdrehzahl	min ⁻¹ 0 - 700	0 - \$	
Max. Drehmoment	Nm 6,2		\$
Bohrfutterkapazität	mm 10		10
Max. Bohrkapazität in Stahl/Holz	mm 10/25		10/25
Stichsäge:			
Leerlaufdrehzahl	min ⁻¹ 0 - 3.000	0 - 3.000	
Max. Schnitttiefe in Holz	mm 38		38
Schnittwinkel	0°, 45°		0°, 45°
Schleifer:			
Schwingungen (Leerlauf)	min ⁻¹ 0 - 8.000	0 - 8.000	
Akku			
	A9275		\$
Spannung	V _{DC} 12		14,4
Kapazität	Ah 1,5		\$

Ladegerät

Netzspannung	V_{AC} 230
Ladezeit (zirka)	Std. 1

EU-Konformitätserklärung

Black & Decker erklärt hiermit, daß diese Geräte entsprechend folgenden Richtlinien und Normen konzipiert wurden:

EN 50260, EN 55014-1, EN 55014-2, EN 61000-3-2,
EN 61000-3-3, EN 60335

L_{PA} (Schalldruck): 82 dB(A), L_{WA} (Schalleistung) 95 dB(A),
gewichteter Effektivwert der Beschleunigung 5.3 m/s²



Colin Wills
Director of Engineering
BDCI, 4/F, 2 Dai Wang Street
Tai Po Industrial Estate
Tai Po NT, Hong Kong

Garantie

Black & Decker vertraut auf die Qualität der eigenen Geräte und bietet dem Käufer eine außergewöhnliche Garantie. Diese Garantiezusage versteht sich unbeschadet der gesetzlichen Gewährleistungsansprüche und schränkt diese keinesfalls ein. Sie gilt in sämtlichen Mitgliedsstaaten der Europäischen Union und der Europäischen Freihandelszone EFTA.

Tritt innerhalb von 24 Monaten ab Kaufdatum an einem Gerät von Black & Decker ein auf Material- oder Verarbeitungsfehler zurückzuführender Mangel auf, garantiert Black & Decker den Austausch defekter Teile, die Reparatur von Geräten mit üblichem Verschleiß bzw. den Austausch eines mangelhaften Geräts, ohne den Kunden dabei mehr als unbedingt nötig in Anspruch zu nehmen, allerdings vorbehaltlich folgender Ausnahmen:

- ◆ wenn das Gerät gewerblich, beruflich oder im Verleihgeschäft benutzt wurde;
- ◆ wenn das Gerät mißbräuchlich verwendet oder mit mangelnder Sorgfalt behandelt wurde;
- ◆ wenn das Gerät durch irgendwelche Fremdeinwirkung beschädigt wurde;
- ◆ wenn ein unbefugter Reparaturversuch durch anderes Personal als das einer Vertragswerkstatt oder des Black & Decker-Kundendienstes unternommen wurde.

Zur Inanspruchnahme dieser Garantie ist dem Verkäufer bzw. der Vertragswerkstatt ein Kaufnachweis vorzulegen. Die Adresse des zuständigen Büros von Black & Decker steht in dieser Anleitung, darüber läßt sich die nächstgelegene Vertragswerkstatt ermitteln. Außerdem ist eine Liste der Vertragswerkstätten und aller Kundendienststellen von Black & Decker sowie der zuständigen Ansprechpartner im Internet zu finden unter: **www.2helpU.com**.

Utilisation prévue

Votre outil multi-fonctions Black & Decker a été conçu pour une large gamme d'applications de bricolage.

Avec la tête de perçage et de vissage, cet outil a pour but des applications de vissage et de perçage du bois, du métal, du plastique et des petits travaux de maçonnerie.

Avec la tête de sciage, cet outil a pour but de scier du bois, du métal et du plastique.

Avec la tête de ponçage, cet outil a pour but de poncer du bois, du métal, du plastique et des surfaces peintes.

Cet outil a été conçu pour une utilisation exclusivement domestique.

Votre chargeur Black & Decker a été conçu pour le chargement de batteries Black & Decker identiques à celles fournies avec cet outil.

Instructions de sécurité

- ◆ **Attention!** Lors de l'utilisation d'outils sans fil, observez les consignes de sécurité fondamentales, y compris celles qui suivent afin de réduire les risques d'incendie, de fuite de batteries, de blessures et de dommage matériel.
- ◆ Lisez et observez attentivement les instructions avant d'utiliser l'outil.
- ◆ Conservez ces instructions.

Tenez votre aire de travail propre et bien rangée

Le désordre augmente les risques d'accident.

Tenez compte des conditions ambiantes

N'exposez pas l'outil à la pluie. N'exposez pas l'outil à l'humidité. Veillez à ce que l'aire de travail soit bien éclairée. N'utilisez pas l'outil s'il existe un risque d'incendie ou d'explosion, par exemple en présence de liquides ou de gaz inflammables.

Tenez les enfants éloignés

Ne laissez pas les enfants, les visiteurs ou les animaux s'approcher de l'aire de travail ou toucher l'outil.

Portez des vêtements de travail appropriés

Ne pas porter de vêtements flottants ou de bijoux. Ils pourraient être happés par les pièces en mouvement. Lors de travaux à l'extérieur, il est recommandé de porter des gants en caoutchouc et des chaussures à semelle anti-dérapante. Le cas échéant, attachez vos cheveux s'ils sont longs, ou couvrez vous la tête.

Protection

Portez toujours des lunettes de protection. Portez des lunettes de protection et un masque pour protéger le visage si le travail exécuté produit de la poussière ou des copeaux volants. Portez des protections auditives lorsque le niveau sonore semble gênant.

Adoptez une position confortable

Toujours tenir les deux pieds à terre et garder l'équilibre.

Faites preuve de vigilance

Observez votre travail. Faites preuve de bon sens.

Ne pas employer l'outil en cas de fatigue.

Fixez bien la pièce à travailler

Pour plus de sécurité, fixez la pièce à travailler avec un dispositif de serrage ou un étau. Ainsi, vous aurez les deux mains libres pour manier l'outil.

Branchez le dispositif d'extraction de poussière.

Si vous disposez de systèmes pour brancher les dispositifs d'extraction et de ramassage de poussière, assurez-vous qu'ils sont bien branchés et qu'ils fonctionnent correctement.

Enlevez les clés et outils de réglage

Avant de mettre l'outil en marche, retirez les clés et outils de réglage.

Utilisez l'outil adéquat

Le domaine d'utilisation de l'outil est décrit dans le présent manuel. Ne pas utiliser d'outils ou d'accessoires de trop faible puissance pour exécuter des travaux lourds. L'utilisation d'accessoires autres que ceux recommandés dans le présent manuel pourrait entraîner un risque de blessure. Ne forcez pas l'outil.

Attention! L'utilisation d'accessoires autres que ceux recommandés dans le présent manuel pourrait entraîner un risque de blessure.

Contrôlez les dommages éventuels de votre outil

Avant d'utiliser l'outil, vérifiez soigneusement qu'il n'est pas endommagé. Vérifiez l'alignement des pièces en mouvement, leur prise et toute rupture de pièces, tout dommage des protections et des interrupteurs et toute autre condition pouvant affecter le fonctionnement de l'outil. Veillez à ce que l'outil fonctionne correctement et qu'il exécute les tâches pour lesquelles il est prévu. N'utilisez pas l'outil si une pièce est défectueuse. Ne pas utiliser l'outil si l'interrupteur marche/arrêt ne fonctionne pas. Faites réparer ou échangez toute pièce endommagée par un service de réparation agréé. Ne tentez jamais de le réparer vous-même.

Enlevez la batterie

Le cas échéant, enlevez la batterie lorsque l'outil n'est pas utilisé, avant de changer toute pièce de l'outil ou tout accessoire et avant de procéder à l'entretien.

Évitez tout démarrage involontaire

Ne portez pas l'outil avec un doigt sur l'interrupteur marche/arrêt. Veillez à ce que l'outil soit débranché lorsque vous y insérez la pile.

Ne tirez pas sur le câble d'alimentation

Ne portez jamais le chargeur par le câble et ne tirez pas sur celui-ci pour le débrancher de la prise. Préservez le câble de la chaleur, de l'huile et des arêtes tranchantes.

Rangez vos outils dans un endroit sûr

Rangez les outils, batteries et chargeurs non utilisés dans un endroit sec, élevé et fermé, hors de portée des enfants.

Entretenez vos outils avec soin

Maintenez vos outils affûtés et propres afin de travailler mieux et plus sûrement. Suivez les instructions d'entretien et de changement d'accessoires. Maintenez les poignées et les interrupteurs secs, propres et exempts d'huile et de graisse.

Réparations

Cet outil est conforme aux conditions de sécurité requises. Les réparations devront uniquement être effectuées par des personnes qualifiées utilisant des pièces de rechange d'origine ; en cas contraire, cela pourrait être très dangereux pour l'utilisateur.

Instructions de sécurité supplémentaires pour les batteries et chargeurs

Batteries

- ◆ Ne tentez jamais de l'ouvrir pour quelque raison que ce soit.
- ◆ Ne la mettez pas en contact avec de l'eau.
- ◆ Ne la stockez pas à un endroit où la température peut être supérieure à 40 °C.
- ◆ Chargez uniquement à température ambiante entre 4 °C et 40 °C.
- ◆ Chargez uniquement en utilisant le chargeur fourni avec l'outil (voir caractéristiques techniques).
- ◆ Avant le chargement, veillez à ce que la batterie soit sèche et propre.
- ◆ Utilisez uniquement le type de batterie approprié à l'outil (voir caractéristiques techniques).
- ◆ Lorsque vous jetez des batteries, suivez les instructions données à la section "Protection de l'environnement".
- ◆ Dans des conditions extrêmes, la batterie peut fuir. Si vous remarquez que la batterie a coulé, procédez comme suit:
 - Nettoyez soigneusement le liquide à l'aide d'un chiffon. Évitez le contact avec la peau.
 - En cas de contact avec la peau ou les yeux, suivez les instructions ci-dessous.

Attention! Le liquide de la batterie, une solution d'hydroxyde de potassium à 25-30%, est toxique. En cas de contact avec la peau, rincer abondamment à l'eau. Neutraliser avec un acide doux tel que du citron ou du vinaigre. En cas de contact avec les yeux, rincer abondamment à l'eau au moins pendant 10 minutes. Consulter un médecin.



Risque d'incendie! Éviter toute possibilité de court-circuit au niveau des contacts d'une batterie (exemple: porter des clés dans la même poche qu'une batterie).



Ne pas incinérer la batterie.



Ne pas charger une batterie endommagée.

Chargeurs

- ◆ Utilisez uniquement votre chargeur Black & Decker pour charger les batteries fournies avec votre outil ou de même type et modèle. D'autres batteries pourraient exploser et causer des dommages ou blessures.
- ◆ Ne tentez jamais de charger des batteries non-rechargeables.
- ◆ Remplacez immédiatement les fils électriques défectueux.
- ◆ Ne mettez pas le chargeur en contact avec de l'eau.
- ◆ N'ouvrez pas le chargeur.
- ◆ Ne testez pas le chargeur.



Conçu pour une utilisation à l'intérieur uniquement.

Instructions de sécurité supplémentaires pour perceuses / visseuses

- ◆ Avant de percer les murs, les planchers ou les plafonds, vérifiez l'emplacement des fils électriques et des tuyaux.
- ◆ Évitez de toucher l'extrémité d'un foret juste après avoir percer car il peut être chaud.

Instructions de sécurité supplémentaires pour scies sauteuses

- ◆ Utilisez toujours le type de lame de scie approprié à la pièce à scier et au type de coupe.
- ◆ Utilisez uniquement des lames de scie en parfait état.
- ◆ Éteignez toujours l'outil et attendez que la lame de la scie se soit complètement arrêtée avant de poser l'outil.
- ◆ Tenez vos mains bien à l'écart de la lame de la scie lorsque vous travaillez.
- ◆ A chaque fois que cela est possible, utilisez des pinces ou un étau pour immobiliser la pièce.

Instructions de sécurité supplémentaires pour ponceuses

- ◆ Portez de préférence un masque contre la poussière lorsque vous poncez.
- ◆ Enlevez soigneusement toute poussière après le ponçage.
- ◆ Faites spécialement attention lorsque vous poncez de la peinture pouvant être à base de plomb ou lorsque vous poncez des bois et des métaux pouvant produire de la poussière toxique.
 - Portez un masque contre la poussière spécialement conçu pour vous protéger de la poussière des peintures à base de plomb et des fumées et veillez à ce que les personnes se trouvant à l'intérieur de la zone de travail ou y pénétrant soient également protégées.
 - Ne laissez pas les enfants ou les femmes enceintes entrer dans la zone de travail.
 - Ne mangez pas, ne buvez pas ou ne fumez pas dans la zone de travail.
 - Nettoyez l'outil de toutes particules de poussière et autre débris.

Sécurité électrique

Vérifiez si la tension du chargeur correspond à la tension secteur.



Ce chargeur à double isolation est conforme à la norme EN 60335; un branchement à la terre n'est donc pas nécessaire.

APERÇU (fig. A)

Unité moteur

1. Interrupteur à variateur de vitesse
2. Sélecteur de rotation droite / gauche
3. Bouton de libération tête
4. Support de foret
5. Batterie
6. Boutons de déblocage batterie

Tête de perçage / vissage

7. Bague de réglage du couple
8. Mandrin

Tête de sciage

9. Bouton de verrouillage
10. Patin de la scie

Tête de ponçage

11. Base de ponçage

Chargeur

12. Chargeur
13. Voyant de charge
14. Voyant de fin de charge

Montage

Attention! Avant l'assemblage, enlevez la batterie.

Mise en place et retrait de la batterie (fig. B)

KC2000

- ◆ Pour mettre la batterie en place (5), alignez-la avec le boîtier sur l'outil. Faites glisser la batterie dans le boîtier et poussez jusqu'à ce qu'elle se mette en place avec un bruit sec.
- ◆ Pour retirer la batterie, appuyez simultanément sur les deux boutons de libération (6) tout en retirant la batterie du boîtier.

KC2002

- ◆ Pour mettre la batterie en place (5), alignez-la avec le boîtier sur l'outil. Faites glisser la batterie dans le boîtier et poussez jusqu'à ce qu'elle se mette en place avec un bruit sec.
- ◆ Pour retirer la batterie, appuyez sur les deux boutons de déclenchement (10) tout en retirant la batterie du boîtier.

Installation et retrait des têtes d'outil (fig. C)

Les différentes têtes d'outil peuvent facilement être échangées.

- ◆ Verrouillez l'outil en réglant le sélecteur de rotation droite / gauche (2) sur la position centrale.
- ◆ Pour retirer une tête d'outil, appuyez sur le bouton de libération de la tête (3) et enlevez la tête de l'outil.
- ◆ Pour installer une tête d'outil, alignez-la avec l'outil comme indiqué et poussez-la jusqu'à ce qu'elle s'encliquette en place sur l'outil.

Installation et retrait d'un foret de perçage ou de vissage (fig. A & D)

La tête de perçage et de vissage est équipée d'un mandrin sans clef pour vous permettre de changer les pointes plus rapidement.

- ◆ Verrouillez l'outil en réglant le sélecteur de rotation droite / gauche (2) sur la position centrale (fig. A).
- ◆ Ouvrez le mandrin en tournant la partie avant (15) avec une main tout en tenant la partie arrière (16) avec l'autre (fig. D).
- ◆ Insérez la tige du foret (17) dans le mandrin.
- ◆ Serrez fermement le mandrin en tournant la partie avant (15) avec une main tout en tenant la partie arrière (16) avec l'autre.

Cet outil est livré avec un double embout de vissage dans le support de foret (4) (fig. A).

- ◆ Pour retirer le double embout de vissage du support d'embout, soulevez l'embout de sa cavité.
- ◆ Pour remettre l'embout en place, poussez-le fermement dans le support.

Installation et retrait d'une lame de scie (fig. F & G)

- ◆ Verrouillez l'outil en réglant le sélecteur de rotation droite / gauche (2) sur la position centrale (fig. F).
- ◆ Pour mettre une lame de scie, soulevez le levier (18) et maintenez-le dans cette position (fig. G).
- ◆ Insérez la lame de la scie dans le support comme indiqué. Veillez à ce que les dents pointent vers l'avant.
- ◆ Relâchez le levier.
- ◆ Pour enlever la lame de la scie, soulevez le levier (18) et retirez la lame de la scie du support.

Installation et retrait des feuilles de ponçage (fig. F & I)

La tête de ponçage utilise des feuilles de ponçage pré-découpées.

- ◆ Verrouillez l'outil en réglant le sélecteur de rotation droite / gauche (2) sur la position centrale (fig. F).
- ◆ Avant de mettre une nouvelle feuille, enlevez les deux abrasifs à pointe réversible (20) (fig. I).
- ◆ Pour mettre une feuille de ponçage, alignez-la avec la base de ponçage comme indiqué.
- ◆ Appuyez fermement sur la feuille et de façon égale sur la base de ponçage, en veillant à ce que les trous de la feuille coïncident avec les trous de la base.

- ◆ Pour enlever la feuille, retirez-la du matelas de ponçage.

Attention! N'utilisez jamais de tête de ponçage sans feuille de ponçage ou accessoire en place.

Remplacement de l'abrasif à pointe réversible (fig. F & J)

Les feuilles de ponçage sont fournies avec deux pointes réversibles de remplacement. La pointe réversible peut être inversée lorsqu'elle est usée. Lorsque les deux côtés sont usés, remplacez la pointe réversible.

- ◆ Verrouillez l'outil en réglant le sélecteur de rotation droite / gauche (2) sur la position centrale (fig. F).
- ◆ Pour inverser la pointe, enlevez-la, tournez-la de 180° et remettez-la sur la base en appuyant comme indiqué (fig. J).
- ◆ Pour remplacer la pointe, retirez l'ancienne pointe de la base et mettez-en une nouvelle en appuyant sur la base.

Attention! En retirant la pointe du matelas, veillez à ne pas enlever le matelas de la base de ponçage.

Utilisation

Attention! Laissez l'outil fonctionner à sa propre vitesse. Ne le surchargez pas.

Chargement de la batterie (fig. A)

La batterie a besoin d'être chargée avant la première utilisation et à chaque fois qu'elle ne produit pas une puissance suffisante pour des travaux facilement effectués auparavant. Une nouvelle batterie ou une batterie n'ayant pas été utilisée depuis longtemps atteint son niveau de performance optimal après environ 5 cycles de charge et de décharge. La batterie peut chauffer pendant le chargement ; cela est normal et n'indique pas de problème particulier. Après une utilisation normale, la batterie doit être mise en charge pendant environ 60 minutes pour pouvoir être utilisée dans la plupart des applications. Toutefois, un temps de charge de 90 minutes peut accroître considérablement la durée d'utilisation, en fonction de la batterie et des conditions de charge.

Attention! Ne chargez pas la batterie à une température ambiante inférieure à 4 °C ou supérieure à 40 °C.
Température de chargement recommandée : environ 24 °C.

- ◆ Pour charger la batterie (5), retirez-la de l'outil et insérez-la dans le chargeur (12). La batterie ne rentrera dans le chargeur que d'une seule façon. Ne forcez pas. Assurez-vous que la batterie est complètement enclenchée dans le chargeur.
- ◆ Branchez le chargeur.
- ◆ Vérifiez si le voyant rouge de charge (13) s'allume.


Si le voyant vert indicateur de fin de charge (14) s'allume maintenant à sa place, la batterie est trop chaude et ne peut être chargée. Si c'était le cas, enlevez la batterie du chargeur, laissez-la refroidir pendant 1 heure environ et réinsérez-la.

Après environ 1 heure de charge, le voyant rouge de charge (13) s'éteindra et le voyant vert indicateur de fin de charge (14) s'allumera. La batterie est maintenant complètement chargée.

- ◆ Enlevez-la du chargeur.

Sélection du couple de vissage ou de la position de perçage (fig. E)

Cet outil est muni d'une bague de réglage pour régler le couple de vissage pour les vis de tension.

- ◆ Pour le perçage, réglez la bague de réglage du couple (7) sur la position de perçage en alignant le symbole  avec la marque (21).
- ◆ Pour le vissage, réglez la bague à la position désirée. Si vous ne connaissez pas encore le bon réglage, procédez comme suit :
 - ◆ Réglez la bague (7) sur la position 1.
 - ◆ Serrez la première vis.
 - ◆ Si l'embrayage fait "clic" avant d'avoir obtenu le résultat désiré, augmentez le réglage de la bague et continuez à serrer la vis. Répétez jusqu'à obtenir le bon réglage. Utilisez ce réglage pour les vis restantes.

Sélection du sens de rotation (fig. A)

Pour le perçage, le sciage, le ponçage et le serrage des vis, utilisez la rotation vers l'avant (dans le sens des aiguilles d'une montre). Pour desserrer les vis ou enlever un foret de perçage coincé, utilisez la rotation vers l'arrière (dans le sens inverse des aiguilles d'une montre).

- ◆ Pour sélectionner la rotation vers l'avant, poussez le sélecteur de rotation droite / gauche (2) vers la gauche.
- ◆ Pour sélectionner la rotation vers l'arrière, poussez le sélecteur de rotation droite / gauche vers la droite.
- ◆ Pour verrouiller l'outil, réglez le sélecteur de rotation droite / gauche sur la position centrale.

Perçage / vissage (fig. A)

- ◆ Sélectionnez la rotation vers la droite ou la gauche à l'aide du sélecteur de rotation droite / gauche (2).
- ◆ Pour allumer l'outil, appuyez sur l'interrupteur de vitesse variable (1). La vitesse de l'outil dépend de la force que vous exercez sur l'interrupteur.
- ◆ Pour éteindre l'outil, relâchez l'interrupteur de vitesse variable.

Réglage de l'angle de sciage (fig. F & H)

Le patin de la scie peut être réglé sur des angles de 0° (droit) et 45° (onglet côté droit).

- ◆ Verrouillez l'outil en réglant le sélecteur de rotation droite / gauche (2) sur la position centrale (fig. F).
- ◆ Desserrez la vis (19) jusqu'à ce que le patin puisse bouger librement (fig. H).
- ◆ Tirez le patin de la scie vers l'avant et faites-le basculer dans l'angle requis.
- ◆ Serrez la vis (19).

Sciage (fig. F)

- ◆ Sélectionnez la rotation vers l'avant en déplaçant le sélecteur de rotation droite / gauche (2) vers la gauche.
- ◆ Pour allumer l'outil, maintenez le bouton de verrouillage (9) enfoncé et appuyez sur l'interrupteur de vitesse variable (1). La vitesse de l'outil dépend de la force que vous exercez sur l'interrupteur.
- ◆ Lâchez le bouton de verrouillage (9).
- ◆ Pour éteindre l'outil, relâchez l'interrupteur de vitesse variable.

Ponçage (fig. A)

- ◆ Sélectionnez la rotation vers l'avant en déplaçant le sélecteur de rotation droite / gauche (2) vers la gauche.
- ◆ Pour allumer l'outil, appuyez sur l'interrupteur de vitesse variable (1). La vitesse de l'outil dépend de la force que vous exercez sur l'interrupteur.
- ◆ Pour éteindre l'outil, relâchez l'interrupteur de vitesse variable.

Conseils pour une utilisation optimale

Perçage

- ◆ Appliquez toujours une pression légère en ligne droite avec le foret de perçage.
- ◆ Juste avant que le foret de perçage ne passe de l'autre côté de la pièce, diminuez la pression sur l'outil.
- ◆ Utilisez un bloc de bois pour protéger les pièces pouvant se briser.
- ◆ Utilisez des mèches à bois lorsque vous percez des trous d'un large diamètre dans du bois.
- ◆ Utilisez des forets de perçage HSS lorsque vous percez du métal.
- ◆ Utilisez des forets de maçonnerie lorsque vous percez des pièces de maçonnerie légères.
- ◆ Utilisez un lubrifiant lorsque vous percez des métaux autres que de la fonte et du laiton.
- ◆ Faites une entaille à l'aide d'une contrepointe de centrage au centre du trou à percer afin d'améliorer la précision

Vissage

- ◆ Utilisez toujours le bon type et la bonne taille d'embout de tournevis.

- ◆ Si les vis sont difficiles à serrer, essayez d'appliquer un petit peu de liquide vaisselle ou de savon en tant que lubrifiant.
- ◆ Tenez toujours l'outil et l'embout de tournevis en ligne droite par rapport à la vis.

Sciage

- ◆ Utilisez toujours le type de lame de scie approprié aux matériaux de la pièce à scier et le bon type de coupe.
- ◆ Si nécessaire, percez un trou à côté du point de départ de la coupe.

Lorsque vous sciez des pièces en bois, il n'est pas nécessaire de percez un trou pilote :

- ◆ Marquez le point de départ désiré.
- ◆ Faites basculer l'outil vers l'avant et placez le côté avant arrondi du patin de la scie sur la pièce.
- ◆ Allumez l'outil et insérez lentement les lames de la scie dans la pièce au niveau du point de départ désiré.

Lorsque vous coupez des feuilles de métal :

- ◆ Fixez un morceau de contreplaqué ou de bois mou derrière la pièce et sciez au travers pour obtenir une coupe nette.
- ◆ N'appuyez pas en forçant la lame de la scie sur la pièce. Remarquez que couper un métal en feuille prendra normalement plus de temps que couper des pièces en bois plus épaisses.
- ◆ Répandez une fine couche d'huile le long de la ligne de coupe avant de scier.
- ◆ Pour couper, allumez l'outil et déplacez-le vers le bas jusqu'à ce que la lame de la scie soit exactement sur le point d'entrée. Abaissez l'arrière du patin sur la pièce, en maintenant une pression pivotante ferme sur le patin de la scie. Avec le patin à plat sur la pièce, insérez la lame dans la pièce.

Lorsque vous coupez des mélaminés :

- ◆ Coupez des mélaminés fins avec la surface arrière vers le haut puisqu'il est probable que le côté de la pièce face au patin de la scie se brise en éclat.
- ◆ Pour des coupes nettes, fixez un morceau de contreplaqué ou de planche au dessus et en dessous du mélaminé et coupez au travers de cette superposition.

Ponçage

- ◆ N'exercez pas trop de pression sur l'outil.
- ◆ Vérifiez régulièrement l'état de la feuille de ponçage. Remplacez-la lorsque cela est nécessaire.
- ◆ Lorsque vous poncez de nouvelles couches de peinture avant d'en appliquer une autre, utilisez un abrasif extra fin.
- ◆ Pour les surfaces irrégulières ou lorsque vous enlevez des couches de peinture, commencez par un abrasif à gros grains.

Sur d'autres surfaces, commencez avec un abrasif moyen. Dans les deux cas, changez graduellement et passez à un abrasif fin pour une finition douce.

- ◆ Consultez votre distributeur pour de plus amples informations sur les accessoires de ponçage, polissage, démontage, brossage.

Entretien

Votre outil Black & Decker a été conçu pour fonctionner pendant longtemps avec un minimum d'entretien. Un fonctionnement continu satisfaisant dépend d'un nettoyage régulier et d'un entretien approprié de l'outil.

Votre chargeur ne nécessite aucun entretien autre qu'un nettoyage régulier.

Attention! Avant de procéder à tout entretien de l'outil, retirez la batterie. Débranchez le chargeur avant de le nettoyer.

- ◆ Nettoyez régulièrement les orifices de ventilation de votre outil et le chargeur à l'aide d'une brosse douce ou d'un chiffon sec.
- ◆ Nettoyez régulièrement le carter du moteur à l'aide d'un chiffon humide. N'utilisez pas de produit abrasif ou à base de solvant.
- ◆ Ouvrez régulièrement le mandrin et tapotez dessus pour retirer toute poussière à l'intérieur.
- ◆ Appliquez régulièrement une goutte d'huile de machine fluide sur le rouleau de guidage (2) de la tête de sciage (fig. K).

Protection de l'environnement

Outils



Black & Decker fournit un dispositif permettant de recycler les produits Black & Decker et des batteries rechargeables lorsqu'ils ont atteint la fin de leur cycle de vie. Ce service est gratuit. Pour pouvoir profiter de ce service, veuillez retourner votre produit à un réparateur agréé qui se chargera de le collecter pour nous.

Batteries



Les batteries Black & Decker peuvent être rechargées de nombreuses fois. A la fin de leur durée de vie technique, jetez les piles en respectant l'environnement :

- ◆ Videz complètement la batterie, puis retirez-la de l'outil.
- ◆ Les batteries NiCd et NiMH sont recyclables. Apportez-les à votre réparateur agréé ou à un centre de recyclage local.

Pour connaître l'adresse du réparateur agréé le plus proche de chez vous, contactez le bureau Black & Decker à l'adresse indiquée dans ce manuel. Vous pourrez aussi trouver une liste des réparateurs agréés de Black & Decker et de plus amples détails sur notre service après-vente sur le site Internet à l'adresse suivante : www.2helpU.com.

Caractéristiques techniques

	KC2000	KC2002
Tension	V _{DC} 12	14,4
Cat. no. batterie	A9275	\$
Perceuse/tournevis:		
Vitesse à vide	min ⁻¹ 0 - 700	0 - \$
Force de tension max.	Nm 6,2	\$
Capacité mandrin	mm 10	10
Capacité de perçage max. dans l'acier / le bois	mm 10/25	10/25
Scie sauteuse:		
Vitesse à vide	min ⁻¹ 0 - 3.000	0 - 3.000
Profondeur de coupe max. dans le bois	mm 38	38
Angles de sciage	0°, 45°	0°, 45°
Ponceuse:		
Oscillations (à vide)	min ⁻¹ 0 - 8.000	0 - 8.000

Batterie	A9275	\$
Tension	V _{DC} 12	14,4
Capacité	Ah 1,5	\$

Chargeur

Tension secteur	V _{AC} 230
Temps de chargement approx.	h 1

Déclaration de conformité CE

Black & Decker déclare que ces outils sont conformes aux normes: EN 50260, EN 55014-1, EN 55014-2, EN 61000-3-2, EN 61000-3-3, EN 60335

L_{PA} (pression acoustique): 82 dB(A), L_{WA} (puissance acoustique) 95 dB(A), niveau de vibration main/bras 5.3 m/s²

Colin Wills
 Director of Engineering
 BDCI, 4/F, 2 Dai Wang Street
 Tai Po Industrial Estate
 Tai Po NT, Hong Kong

Garantie

Black & Decker est confiant dans la qualité de ses produits et vous offre une garantie très étendue. Ce certificat de garantie est un document supplémentaire et ne peut en aucun cas se substituer à vos droits légaux. La garantie est valable sur tout le territoire des Etats Membres de l'Union Européenne et de la Zone de Libre Echange Européenne.

Si un produit Black & Decker s'avère défectueux en raison de matériaux en mauvaises conditions, d'une erreur humaine, ou d'un manque de conformité dans les 24 mois suivant la date d'achat, Black & Decker garantit le remplacement des pièces défectueuses, la réparation des produits usés ou cassés ou remplace ces produits à la convenance du client, sauf dans les circonstances suivantes :

- ◆ Le produit a été utilisé dans un but commercial, professionnel, ou a été loué.
- ◆ Le produit a été mal utilisé ou avec négligence.
- ◆ Le produit a subi des dommages à cause d'objets étrangers, de substances ou à cause d'accidents.
- ◆ Des réparations ont été tentées par des techniciens ne faisant pas partie du service technique de Black & Decker.

Pour avoir recours à la garantie, il est nécessaire de fournir une preuve d'achat au vendeur ou à un réparateur agréé. Pour connaître l'adresse du réparateur agréé le plus proche de chez vous, contactez le bureau Black & Decker à l'adresse indiquée dans ce manuel. Vous pourrez aussi trouver une liste des réparateurs agréés de Black & Decker et de plus amples détails sur notre service après-vente sur le site Internet à l'adresse suivante : **www.2helpU.com**.

Uso progettato

Il vostro utensile multifunzione della Black & Decker è stato progettato per coprire una vasta gamma di applicazioni del fai da te.

Inserendo l'attacco per avvitare e forare, questo utensile si usa come un giravite e per forare legno, metallo, plastica e muratura.

Inserendo l'attacco per tagliare, l'utensile viene usato come un seghetto per tagliare legno, metallo e plastica.

Inserendo l'attacco per levigare, l'utensile viene usato per levigare legno, metallo, plastica e superfici verniciate.

L'utensile è stato progettato per un uso individuale.

Il vostro caricabatteria Black & Decker è stato progettato per caricare batterie Black and Decker del tipo fornito con questo utensile.

Istruzioni di sicurezza

- ◆ **Attenzione!** Quando si adoperano utensili a batteria, per ridurre il rischio di incendi, fuoriuscita di liquido dalle batterie, danni personali e materiali, è necessario osservare alcune precauzioni di sicurezza fondamentali, incluso le seguenti.
- ◆ Prima di adoperare l'utensile, leggere attentamente le istruzioni di cui al presente manuale.
- ◆ Conservare questo manuale di istruzioni per successive consultazioni.

Tenere pulita l'area di lavoro

Ambienti e banchi di lavoro in disordine possono essere causa d'incidenti.

Tener presenti le caratteristiche dell'ambiente di lavoro

Non lasciare l'utensile sotto la pioggia. Non usare l'utensile in ambienti carichi di umidità. Tenere ben illuminata l'area di lavoro. Non usare l'utensile quando vi sia rischio di provocare un incendio o una esplosione, per es. in luoghi con atmosfera gassosa o infiammabile.

Tenere i bambini lontani dall'area di lavoro

Non permettere ai bambini, ad altre persone o ad animali di avvicinarsi alla zona di lavoro o di toccare l'utensile.

Usare il vestiario appropriato

Evitare l'uso di abiti svolazzanti, catenine, ecc. in quanto potrebbero rimanere impigliati nelle parti mobili dell'utensile. Lavorando all'aperto indossare guanti di gomma e scarpe con soles antiscivolo. Raccogliere i capelli se si portano lunghi.

Protezione personale

Indossate occhiali di sicurezza. Indossate una mascherina contro la polvere ogni volta che l'uso dell'utensile provochi polvere o schegge. Indossate cuffie acustiche quando considerate che il livello acustico sia troppo alto.

Non sbilanciarsi

Mantenere sempre un buon equilibrio evitando posizioni malsicure.

Stare sempre attenti

Prestare attenzione a quanto si sta facendo. Usare il proprio buon senso. Non utilizzare l'utensile quando si è stanchi.

Bloccare il pezzo da lavorare

Usare pinze o morse per bloccare il pezzo da lavorare.

Ciò aumenta la sicurezza e consente di mantenere entrambe le mani libere per operare meglio.

Connettere l'apparecchiatura aspirapolvere

Se sono forniti i dispositivi per la connessione delle macchine per l'aspirazione e la raccolta della polvere, verificare che vengano collegate e utilizzate correttamente.

Non lasciare sull'utensile chiavi o strumenti di misura

Prima di mettere in funzione l'utensile abbiate cura di togliere chiavi e altri strumenti.

Adoperare l'utensile adatto alla situazione

L'utilizzo previsto è quello indicato nel presente manuale.

Non forzare utensili e accessori di potenza limitata impiegandoli per lavori destinati ad utensili di maggiore potenza. Non forzare l'utensile.

Attenzione! L'uso di accessori o attrezzature diversi o l'impiego del presente utensile per scopi diversi da quelli indicati nel presente manuale d'uso comportano il rischio di infortuni.

Controllare che non vi siano parti danneggiate

Prima dell'uso, controllare che l'utensile non presenti danni. Controllare se ci sono parti non allineate o parti mobili con gioco, pezzi rotti, danni alle protezioni o agli interruttori e qualsiasi altra condizione che possa incidere sul funzionamento dell'utensile. Accertare che l'utensile funzioni come previsto e che venga impiegato per lo scopo per cui è stato progettato. Non usate l'utensile se presenta elementi danneggiati o difettosi. Non impiegare l'utensile se non è possibile accenderlo e spegnerlo mediante l'interruttore. Eventuali componenti difettosi o danneggiati vanno sostituiti o riparati da un tecnico autorizzato. Non tentare mai di effettuare delle riparazioni.

Estrarre la batteria

Togliere la batteria quando l'utensile non è in uso, o prima di cambiare pezzi, accessori o complementi o prima di eseguire lavori di manutenzione.

Evitate di avviare l'utensile quando non è necessario

Non portate l'utensile con il dito sull'interruttore. Assicuratevi che l'utensile sia spento quando inserite le batterie nell'utensile.

Non forzate il cavo di collegamento elettrico

Non usate il cavo elettrico del carica batterie per muoverlo e non tirate il cavo per scollegarlo dalla presa. Mantenete il cavo lontano da fonti di calore, olio e spigoli taglienti.

Conservazione dell'utensile dopo l'uso

Quando non è in uso, l'utensile, le batterie e i caricabatterie devono essere riposti in un luogo asciutto e fuori dalla portata dei bambini.

Mantenere l'utensile con cura

Mantenere gli utensili da taglio affilati e puliti in modo da ottenere una miglior e più sicura resa.

Seguire le istruzioni di manutenzione e cambio di accessori. Mantenere le impugnature e gli interruttori asciutti, puliti e senza tracce di olio o grassi.

Riparazioni

Questo utensile è conforme ai relativi requisiti di sicurezza. Le riparazioni devono essere eseguite soltanto da personale qualificato e con pezzi di ricambio originali, per evitare di esporre gli utenti a considerevoli rischi.

Istruzioni di sicurezza aggiuntive per batterie e caricabatteria

Batterie

- ◆ Non tentate di aprirle in nessuna circostanza.
- ◆ Non fatele bagnare.
- ◆ Non riponetele in luoghi dove la temperatura possa oltrepassare i 40 °C.
- ◆ Caricatele solo ad una temperatura ambientale compresa tra i 4 °C ed i 40 °C.
- ◆ Caricate la batteria usando soltanto il caricabatteria fornito con l'utensile (vedete i dati tecnici).
- ◆ Prima di caricare la batteria assicuratevi che sia pulita ed asciutta.
- ◆ Usate soltanto il tipo adeguato di batteria per l'utensile (vedete i dati tecnici).
- ◆ Prima di gettare le batterie esaurite, vi preghiamo di leggere le istruzioni specificate nella sezione "Protezione dell'ambiente".
- ◆ In condizioni estreme, la batteria può perdere liquido. Nel caso doveste notare la presenza di liquido sulla batteria, procedere come di seguito specificato:
 - Asciugate il liquido con un panno. Evitate il contatto con la pelle.
 - In caso di contatto con la pelle o con gli occhi, seguite le istruzioni di seguito riportate.

Attenzione! Il liquido delle batterie, una soluzione al 25-30% di idrossido di potassio, può essere pericoloso. In caso di contatto con la pelle, lavare immediatamente con abbondante acqua, quindi neutralizzarne l'azione con una soluzione leggermente acida come succo di limone o aceto. In caso di contatto con gli occhi, risciacquare abbondantemente con acqua pulita per 10 minuti almeno. Rivolgersi a un medico.



Pericolo d'incendio! Evitare di mettere in cortocircuito i contatti della batteria rimossa con oggetti metallici (ad es. con un mazzo di chiavi tenute nello stesso scomparto insieme alla batteria).



Non incenerire la batteria.



Non caricate batterie danneggiate.

Caricabatteria

- ◆ Usate il vostro caricabatteria Black & Decker per caricare le batterie fornite con il vostro utensile. Altri tipi di batterie potrebbero esplodere, provocando danni personali e materiali.
- ◆ Non tentate mai di ricaricare una batteria non ricaricabile.
- ◆ Cambiate immediatamente i cavi difettosi.
- ◆ Fate attenzione a non bagnare il caricabatteria.
- ◆ Non aprite il caricabatteria.
- ◆ Non testare il caricabatteria.



Da usarsi soltanto in interni.

Istruzioni aggiuntive di sicurezza per trapani/avvitatori

- ◆ Prima di forare pareti, pavimenti, soffitti, verificate l'ubicazione di cavi elettrici e tubazioni.
- ◆ Evitate toccare la punta del trapano appena dopo aver forato, può essere molto calda.

Istruzioni aggiuntive di sicurezza per segchetti

- ◆ Usate sempre la lama adeguata al tipo di materiale e taglio.
- ◆ Usate soltanto lame in perfetto stato.
- ◆ Spegnete sempre l'utensile ed aspettate che la lama si fermi prima di posarlo.
- ◆ Mentre lavorate mantenete le vostre mani lontane dalla lama.
- ◆ Sempre che sia possibile usate sargenti o pinze per fissare il pezzo in lavorazione.

Istruzioni aggiuntive di sicurezza per levigatrici

- ◆ È conveniente indossare una mascherina quando si leviga.
- ◆ Togliete tutta la polvere dopo aver levigato.
- ◆ Fate molta attenzione quando levigate vernici che molto probabilmente hanno come componente base il piombo o quando levigate certi legni e metalli la cui polvere può essere tossica:
 - Indossate una mascherina di protezione contro la polvere che sia specifica contro la polvere di vernice di piombo ed i fumi ed accertatevi che le persone che siano nella zona di lavoro od entrino in essa siano anch'esse protette.
 - Non permettete ai bambini o alle donne incinta di essere nell'area di lavoro.
 - Non mangiate, bevete o fumate nell'area di lavoro.
 - Gettate la polvere ed i rifiuti in appositi contenitori.

Sicurezza elettrica

Assicurarsi che la tensione del caricatore corrisponda a quella erogata dalla rete.



Il caricatore è fornito di doppio isolamento, in ottemperanza alla norma EN 60335, per la quale non è richiesta la messa a terra.

L'INSIEME (fig. A)

Unità motore

1. Interruttore a velocità variabile
2. Selettore avanti/indietro
3. Pulsante di rilascio dell'attacco
4. Supporto punta
5. Batteria
6. Bottoni di sgancio per batteria

Attacco per avvitare e forare

7. Anello di regolazione coppia di torsione
8. Mandrino

Attacco per tagliare

9. Pulsante di sblocco
10. Pattino della sega

Attacco per levigare

11. Base della levigatrice

Caricabatteria

12. Caricabatteria
13. Indicatore di carica
14. Indicatore fine carica

Montaggio

Attenzione! Prima di montaggio, rimuovere la batteria.

Inserimento ed estrazione della batteria (fig. B)

KC2000

- ◆ Per inserire la batteria (5), allinearla con il ricettacolo dell'utensile. Fare scivolare la batteria nella base fino a che non si inserisce con uno scatto.
- ◆ Per togliere la batteria, premete simultaneamente i due bottoni di sgancio (6) ed allo stesso tempo tirate fuori la batteria dal ricettacolo.

KC2002

- ◆ Per inserire la batteria (5), allinearla con il ricettacolo dell'utensile. Fare scivolare la batteria nella base fino a che non si inserisce con uno scatto.

- ◆ Per estrarre la batteria, premere il pulsante di sgancio (10) e, contemporaneamente, estrarre la batteria dalla base.

Montaggio e stacco dei diversi attacchi (fig. C)

I diversi attacchi sono facilmente intercambiabili.

- ◆ Bloccate l'utensile posizionando il selettore avanti/indietro (2) nella posizione centrale.
- ◆ Per staccare gli attacchi, premere il pulsante di sblocco (3) e togliere l'attacco dall'utensile.
- ◆ Per montare un attacco, allineatelo con l'utensile come raffigurato ed inserirlo spingendo fino a che si agganci.

Inserire e staccare una punta o una punta giravite (fig. A & D)

L'attacco per avvitare e forare è attrezzato con un mandrino senza chiave che permette cambiare con facilità le punte.

- ◆ Bloccare l'utensile collocando il selettore avanti/indietro (2) nella posizione centrale (fig. A).
- ◆ Aprite il mandrino girando con una mano la parte anteriore (15) mentre con l'altra mano sorreggete la parte posteriore (16) (fig. D).
- ◆ Inserire lo stelo della punta (17) nel mandrino.
- ◆ Stringere con decisione il mandrino girando con una mano la parte anteriore (15) e sorreggendo con l'altra la parte posteriore (16).

Questo utensile viene fornito con un cacciavite a doppia punta inserito nel supporto punta (4) (fig. A).

- ◆ Per staccare la punta del cacciavite dal supporto punta, sollevarla dalla cava.
- ◆ Per rimettere nel supporto la punta del cacciavite, premerevela con decisione.

Inserire e staccare una lama (fig. F & G)

- ◆ Bloccate l'utensile posizionando il selettore avanti/indietro (2) sulla posizione centrale (fig. F).
- ◆ Per accoppiare una lama, sollevate la leva (18) e mantenetela in questa posizione (fig. G).
- ◆ Inserite la lama nel supporto come raffigurato. Assicuratevi che i denti puntino in avanti
- ◆ Rilasciate la leva.
- ◆ Per togliere la lama, sollevate la leva (18) e tirate fuori la lama dal supporto.

Inserire e togliere fogli di carta abrasiva (fig. F & I)

La testa della levigatrice usa fogli di carta vetrata preconfezionati.

- ◆ Bloccate l'utensile posizionando il selettore avanti/indietro (2) sulla posizione centrale (fig. F).
- ◆ Prima di collocare un nuovo foglio, togliete le due punte romboidali addizionali (20) (fig. I).
- ◆ Per collocare un foglio di carta abrasiva, allineatelo, come raffigurato, con la base della levigatrice.

- ◆ Premete fortemente e uguagliate il foglio sulla base de la levigatrice, assicurandovi che i fori del foglio coincidano con i fori della base.
- ◆ Per togliere il foglio, tirate del foglio e staccatelo dal fodero.

Attenzione! Non usate l'attacco per levigare senza che sia inserito carta abrasiva od accessorio.

Cambiare la punta abrasiva di ricambio (fig. F & J)

I fogli di carta abrasiva vengono forniti con due punte di ricambio romboidali. Queste punte quando si logorano possono essere girate. Quando ambedue i lati sono logori bisogna cambiare la punta a rombo.

- ◆ Bloccate l'utensile posizionando il selettore avanti/indietro (2) sulla posizione centrale (fig. F).
- ◆ Per girare la punta a rombo, toglierla, girarla di 180° e riattaccatela sulla base come raffigurato (fig. J).
- ◆ Per cambiare la punta, togliere la vecchia punta dalla base e riattaccate una nuova sulla base.

Attenzione! Quando togliete la punta dal fodero, assicuratevi di non togliere il fodero dalla base levigatrice.

Uso

Attenzione! Lasciate che l'utensile lavori al proprio ritmo. Non sovraccaricatelo.

Carica della batteria (fig. A)

La batteria deve essere caricata prima di usarla per la prima volta, ed ogni qualvolta non riesca a produrre la sufficiente energia per eseguire lavori che prima venivano svolti con facilità. Una batteria nuova, o una batteria che non è stata usata per un lungo periodo di tempo, funziona al massimo delle prestazioni solo dopo circa 5 cicli di carica e scarica. La batteria si può riscaldare durante il processo di carica; è normale e non è indicativo di nessun problema. Dopo un uso normale, 60 minuti di carica danno una potenza sufficiente per la maggior parte delle applicazioni. Ad ogni modo, un'ulteriore carica fino a 90 minuti potrebbe aumentare considerevolmente il tempo d'utilizzo, a seconda della batteria e delle condizioni di carica.

Attenzione! Non caricate la batteria con temperatura ambiente sotto i 4 °C o sopra i 40 °C. La temperatura di carica consigliata è di circa 24 °C.

- ◆ Per caricare la batteria (5), toglierla dall'utensile ed inserirla nel caricabatteria (12). La batteria s'inserisce nel caricabatterie in un solo verso. Non forzarla. Accertare che la batteria sia perfettamente inserita nel caricabatteria.
- ◆ Inserire la spina del caricabatteria.


- ◆ Verificare se la spia rossa di carica (13) si accende. Se invece si accende la spia verde di fine carica (14), significa la batteria è troppo calda e non può essere caricata. In questo caso, togliere la batteria dal caricabatteria, farla raffreddare per circa 1 ora e poi reinserirla nel caricabatteria.

Dopo circa 1 ora di carica, la spia rossa di carica (13) si spegne e si accende la spia verde di fine carica (14). A questo punto la batteria è completamente carica.

- ◆ Togliere la batteria dal caricabatteria.

Selezionare la coppia di torsione o la posizione per forare (fig. E)

Questo utensile è attrezzato con un anello che permette regolare la coppia di torsione nella stretta delle viti.

- ◆ Per forare, posizionate l'anello (7) nella posizione di forare che è allineando il simbolo di forare  con il marchio (21).
- ◆ Per usare l'utensile come cacciavite, collocare l'anello sull'impostazione desiderata. Se non si è ancora pratici delle impostazioni corrette, procedere come segue:
 - ◆ Regolate l'anello (7) sulla posizione 1.
 - ◆ Stringere la prima vite.
 - ◆ Se la frizione si arresta prima che venga ottenuto il risultato desiderato, aumentare l'impostazione dell'anello e continuare a stringere la vite. Ripetere l'operazione fino ad ottenere l'impostazione corretta. Fare uso di quest'impostazione per tutte le altre viti.

Selezione del senso di rotazione (fig. A)

Per forare, segare, levigare ed avvitare, usate il senso di rotazione avanti (in senso orario). Per svitare o per togliere una punta inceppata, selezionare il senso inverso (antiorario).

- ◆ Per selezionare la rotazione in avanti, spingere il selettore avanti/indietro (2) verso sinistra.
- ◆ Per selezionare la rotazione indietro, spingere il selettore avanti/indietro a destra.
- ◆ Per bloccare l'utensile, collocare il selettore avanti/indietro nella posizione centrale.

Trapanare/avvitare (fig. A)

- ◆ Selezionare il senso di rotazione usando il selettore avanti/indietro (2).
- ◆ Per accendere l'utensile, premere l'interruttore variatore di velocità (1). La velocità dell'utensile dipende dalla pressione esercitata sull'interruttore.
- ◆ Per spegnere l'utensile, rilasciare l'interruttore per il cambio di velocità.

Regolazione dell'angolo di taglio (fig. F & H)

Il pattino della sega può essere regolato in angoli di 0° (dritto) e 45° (angolo retto).

- ◆ Bloccate l'utensile posizionando il selettore avanti/indietro

(2) sulla posizione centrale (fig. F).

- ◆ Allentate la vite (19) fino a che il pattino si liberi (fig. H).
- ◆ Tirate il pattino della sega in avanti ed inclinatelo all'angolo desiderato.
- ◆ Stringere la vite (19).

Segare (fig. F)

- ◆ Selezionate la rotazione in avanti muovendo a sinistra il selezionatore avanti/indietro (2).
- ◆ Per accendere l'utensile, mantenete premuto il pulsante di sblocco (9) e premete l'interruttore variatore di velocità (1). La velocità dell'utensile dipende dalla pressione esercitata sull'interruttore.
- ◆ Rilasciate il pulsante di sblocco (9).
- ◆ Per spegnere l'utensile, rilasciare l'interruttore per il cambio di velocità.

Levigare (fig. A)

- ◆ Selezionate la rotazione in avanti muovendo a sinistra il selezionatore avanti/indietro (2).
- ◆ Per accendere l'utensile, premere l'interruttore variatore di velocità (1). La velocità dell'utensile dipende dalla pressione esercitata sull'interruttore.
- ◆ Per spegnere l'utensile, rilasciare l'interruttore per il cambio di velocità.

Consigli per un'ottima utilizzazione

Trapanare

- ◆ Applicare sempre una leggera pressione in linea retta con la punta.
- ◆ Prima che la punta fuoriesca dall'altra parte del pezzo in lavorazione, diminuire la pressione sull'utensile.
- ◆ Usare un blocco di legno per sostenere i pezzi in lavorazione che si possono scheggiare.
- ◆ Usare punte a pala per praticare fori di diametro largo su legno.
- ◆ Usare punte HSS per trapanare i metalli.
- ◆ Usare punte per muratura per trapanare i muri.
- ◆ Usare un lubrificante per trapanare metalli diversi da ottone e ferro.
- ◆ Per aumentare l'accuratezza della trapanatura, fare una tacca con un punteruolo nel centro del punto da trapanare.

Avvitare

- ◆ Usare sempre la punta di cacciavite di tipo e misura esatti.
- ◆ Se le viti sono difficili da stringere, provare ad applicare una piccola quantità di liquido detergente o sapone come lubrificante.
- ◆ Mantenere sempre l'utensile e la punta in linea retta rispetto alla vite.

- ◆ Usate sempre il tipo adeguato di lama in considerazione del materiale in lavorazione ed il tipo di taglio.
- ◆ Se fosse necessario, forate il pezzo vicino al punto di partenza del taglio.

Quando si sega su legno, non è necessario forare :

- ◆ Segnate il punto desiderato di partenza.
- ◆ Inclinate l'utensile in avanti e posizionate il frontale arrotondato del pattino della sega sul pezzo in lavorazione.
- ◆ Accendete l'utensile e lentamente, dal punto di partenza desiderato, spingete la lama nel pezzo in lavorazione.

Tagli su lamiera:

- ◆ Fissate un pezzo di compensato o legno morbido dietro del pezzo in lavorazione e segate questa combinazione in modo da ottenere un taglio pulito.
- ◆ Non forzate la lama nel pezzo in lavorazione. Dovete considerare che segare una lamiera richiede più tempo che segare un pezzo più grosso di legno.
- ◆ Spalmate un poco d'olio lungo la linea di taglio prima di segare.
- ◆ Per segare, accendete l'utensile e collocatelo in modo che la lama si trovi esattamente sul punto d'inizio. Abbassate il posteriore del pattino verso il pezzo, premendo adeguatamente sul pattino della sega. Quando il pattino della sega è in piano col pezzo in lavorazione spingete la lama nel pezzo in lavorazione.

Taglio di laminati:

- ◆ Tagliate i laminati fini con la superficie posteriore all'insù poiché lo scheggiamento è più probabile che accada nel lato del pezzo in lavorazione in contatto con il pattino della sega.
- ◆ Per eseguire tagli puliti, fissate un pezzo di compensato o di truciolato sui due lati del laminato e tagliate l'insieme risultante.

Levigatura

- ◆ Non esercitare pressione eccessiva sull'utensile.
- ◆ Verificare regolarmente lo stato del foglio di carta vetrata. Sostituirlo quando necessario.
- ◆ Quando si levigano strati di vernice nuova, adoperare carta di grana fine prima di applicare lo strato successivo di vernice.
- ◆ Su superfici rugose, o quando si rimuovono degli strati di vernice, iniziare a levigare con carta abrasiva a grana grossa. Su superfici di altro tipo, cominciare con una grana media. In entrambi i casi, per ottenere una rifinitura omogenea passare gradualmente a una grana sottile.
- ◆ Consultare il rivenditore riguardo agli accessori disponibili per levigare, brillantare, raschiare e pulire.

Manutenzione

Questo utensile Black & Decker è stato progettato per funzionare a lungo con un minimo di manutenzione. La continuità e l'alto livello delle prestazioni dipendono dall'adeguata cura dell'utensile e dalla pulizia sistematica.

Il vostro caricatore non richiede di nessun tipo di manutenzione oltre la sua regolare pulizia.

Attenzione! Prima di eseguire qualsiasi tipo di manutenzione dell'utensile, togliete le batterie dall'utensile. Scollegare il caricatore dalla presa elettrica prima di pulirlo.

- ◆ Pulite regolarmente con una spazzola morbida o un panno asciutto le prese di ventilazione dell'utensile e del caricabatteria.
- ◆ Il vano del motore va pulito regolarmente con un panno umido. Non usare materiali abrasivi o detergenti a base di solventi.
- ◆ Aprire regolarmente il mandrino e colpirlo leggermente per togliere tutta la polvere dall'interno.
- ◆ Applicare regolarmente una goccia d'olio per macchine da cucire nel rullo della guida (22) dell'attacco per tagliare (fig. K).

Protezione dell'ambiente

Utensili



Black & Decker offre ai suoi clienti la possibilità di riciclare i prodotti Black & Decker e le batterie ricaricabili che hanno esaurito la loro vita di servizio. Il servizio viene offerto gratuitamente. Per utilizzarlo, è sufficiente restituire il prodotto a qualsiasi tecnico autorizzato, incaricato della raccolta per conto dell'azienda.

Batterie



Le batterie della Black & Decker si possono ricaricare più volte: al termine della loro vita di servizio, vanno messe negli appositi contenitori, per garantirne lo smaltimento nel rispetto dell'ambiente.

- ◆ Quando è completamente esaurita, la batteria va estratta dall'utensile.
- ◆ Le batterie NiCd e NiMH sono riciclabili e vanno consegnate a qualsiasi tecnico autorizzato o portate presso un impianto di riciclaggio.

Per individuare il tecnico autorizzato più vicino, rivolgersi alla sede Black & Decker locale, presso il recapito indicato nel presente manuale.

Altrimenti un elenco completo di tutti i tecnici autorizzati

Black & Decker e i dettagli completi sui contatti e i servizi post-vendita sono disponibili su Internet presso:

www.2helpU.com.

Dati tecnici

	KC2000	KC2002
Tensione	V _{DC} 12	14,4
Cat. no. batteria	A9275	\$
Forare/giravite:		
Velocità senza carico	min ⁻¹ 0 - 700	0 - \$
Coppia max. di serraggio	Nm 6,2	\$
Capacità del mandrino	mm 10	10
Capacità mas. di foratura acciaio/legno	mm 10/25	10/25
Taglio:		
Velocità senza carico	min ⁻¹ 0 - 3.000	0 - 3.000
Profondità massima di taglio su legno	mm 38	38
Angoli di taglio	0°, 45°	0°, 45°
Levigare:		
Oscillazioni (senza carico)	min ⁻¹ 0 - 8.000	0 - 8.000

Batteria	A9275	\$
Tensione	V _{DC} 12	14,4
Capacità	Ah 1,5	\$

Caricabatteria

Tensione di rete	V _{AC} 230
Tempo approssimato di carica	h 1

Dichiarazione CE di conformità

Black & Decker dichiara che questi utensili sono stati costruiti in conformità a: EN 50260, EN 55014-1, EN 55014-2, EN 61000-3-2, EN 61000-3-3, EN 60335
 L_{DA} (rumorosità): 82 dB(A), L_{WA} (potenza sonora) 95 dB(A),
 vibrazioni mano-braccio 5.3 m/s²

Colin Wills
 Director of Engineering
 BDCI, 4/F, 2 Dai Wang Street
 Tai Po Industrial Estate
 Tai Po NT, Hong Kong

Garanzia

Certa della qualità dei suoi prodotti, Black & Decker offre una garanzia eccezionale. Il presente certificato di garanzia è complementare ai diritti statutari e non li pregiudica in alcun modo. La garanzia è valida entro il territorio degli Stati membri dell'Unione Europea e dell'EFTA (European Free Trade Area).

Se un prodotto Black & Decker risulta difettoso per qualità del

materiale, della costruzione o per mancata conformità entro 24 mesi dalla data di acquisto, Black & Decker garantisce la sostituzione delle parti difettose, provvede alla riparazione dei prodotti se ragionevolmente usurati oppure alla loro sostituzione, in modo da ridurre al minimo il disagio del cliente a meno che:

- ◆ Il prodotto non sia stato destinato ad usi commerciali, professionali o al noleggio;
- ◆ Il prodotto non sia stato usato in modo improprio o scorretto;
- ◆ Il prodotto non abbia subito danni causati da oggetti o sostanze estranee oppure incidenti;
- ◆ Il prodotto non abbia subito tentativi di riparazione non effettuati da tecnici autorizzati né dall'assistenza Black & Decker.

Per attivare la garanzia è necessario esibire la prova comprovante l'acquisto al venditore o al tecnico autorizzato. Per individuare il tecnico autorizzato più vicino, rivolgersi alla sede Black & Decker locale, presso il recapito indicato nel presente manuale. Altrimenti un elenco completo di tutti i tecnici autorizzati Black & Decker e i dettagli completi sui contatti e i servizi post-vendita sono disponibili su Internet presso: **www.2helpU.com**.

Gebruik volgens bestemming

Uw Black & Decker multifunctioneel gereedschap is ontworpen voor een grote verscheidenheid aan doe-het-zelf-toepassingen.

Met de boor- en schroefkop is dit gereedschap geschikt voor het in- en uitdraaien van schroeven en voor het boren in hout, metaal, kunststof en zacht metselwerk.

Met de decoupeerzaagkop is dit gereedschap geschikt voor het zagen in hout, metaal en kunststof.

Met de schuurkop is dit gereedschap geschikt voor het schuren van hout, metaal, kunststof en beschilderde oppervlakken.

Deze machine is uitsluitend bestemd voor consumentengebruik.

Uw Black & Decker oplader is ontworpen voor het opladen van Black & Decker accu's van het type dat bij deze machine wordt geleverd.

Veiligheidsvoorschriften

- ◆ **Waarschuwing!** Bij het gebruik van accugevoede machines dienen ter bescherming tegen brandgevaar, vrijkomen van accuvloeistof, letsel en materiële schade altijd gepaste veiligheidsmaatregelen in acht te worden genomen, waaronder de volgende veiligheidsvoorschriften.
- ◆ Lees de gebruiksaanwijzing aandachtig door voordat u met de machine gaat werken.
- ◆ Bewaar deze instructies zorgvuldig!

Zorg voor een opgeruimde werkomgeving

Een rommelige werkomgeving leidt tot ongelukken.

Houd rekening met omgevingsinvloeden

Stel de machine niet bloot aan regen. Gebruik de machine niet in een vochtige of natte omgeving. Zorg dat de werkomgeving goed is verlicht. Gebruik de machine niet op plaatsen waar brand- of explosiegevaar bestaat, b.v. in de buurt van brandbare vloeistoffen of gassen.

Houd kinderen uit de buurt

Houd kinderen, bezoekers en dieren buiten het werkgebied en laat ze de machine niet aanraken.

Draag geschikte werkkleding

Draag geen wijde kleding of loshangende sieraden. Deze kunnen door de bewegende delen worden gegrepen. Draag bij het werken buitenshuis bij voorkeur rubber werkhandschoenen en schoenen met profielzolen. Houd lang haar bijeen.

Persoonlijke bescherming

Draag altijd een veiligheidsbril. Draag een gezichts- of stofmasker bij werkzaamheden waarbij stofdeeltjes of spanen vrijkomen. Draag altijd gehoorbescherming als het geluidsniveau onaangenaam hoog is.

Zorg voor een veilige houding

Zorg altijd voor een juiste, stabiele houding.

Blijf voortdurend opletten

Houd uw aandacht bij uw werk. Ga met verstand te werk. Gebruik de machine niet als u niet geconcentreerd bent.

Klem het werkstuk goed vast

Gebruik klemmen of een bankschroef om het werkstuk te fixeren. Dit is veiliger, bovendien kan de machine dan met beide handen worden bediend.

Sluit de uitrusting van de stofafvoer aan

Indien hulpmiddelen zijn meegeleverd voor de aansluiting van stofafvoer en voorzieningen voor stofopvang, zorg dan dat deze zijn aangesloten en naar behoren worden gebruikt.

Verwijder sleutels en hulpgereedschappen

Controleer vóór het inschakelen altijd of sleutels en andere hulpgereedschappen zijn verwijderd.

Gebruik de juiste machine

Het gebruik volgens bestemming is beschreven in deze handleiding. Gebruik geen te lichte machine of hulpstukken voor te zwaar werk. De machine werkt beter en veiliger indien u deze gebruikt voor het beoogde doel. Overbelast de machine niet.

Waarschuwing! Gebruik ter voorkoming van lichamelijk letsel uitsluitend de in deze gebruiksaanwijzing aanbevolen accessoires en hulpstukken. Gebruik de machine uitsluitend volgens bestemming.

Controleer de machine op beschadigingen

Controleer de machine voor gebruik op schade. Controleer of alle bewegende delen correct gemonteerd zijn, of er geen onderdelen gebroken zijn, of er geen beschermkappen en schakelaars beschadigd zijn en of er andere gebreken zijn die invloed op de werking van de machine zouden kunnen hebben. Vergewis u er van dat de machine correct werkt. Gebruik de machine niet als enig onderdeel defect is. Gebruik de machine niet als de aan/uit-schakelaar niet werkt. Defecte onderdelen dienen door een erkend servicecentrum te worden gerepareerd of vervangen. Probeer nooit om de machine zelf te repareren.

Verwijder de accu

Neem de accu van de machine als u de machine niet gebruikt, voordat u gereedschappen, accessoires of onderdelen van de machine verwisselt en voordat u onderhoud aan de machine uitvoert.

Voorkom onbedoeld inschakelen

Draag de machine niet met uw vingers aan de aan/uit-schakelaar. Vergewis u er van dat de machine is uitgeschakeld als u de accu aanbrengt.

Misbruik het snoer niet

Draag de oplader nooit aan het snoer. Trek niet aan het snoer om de stekker uit het stopcontact te verwijderen. Houd het snoer uit de buurt van warmtebronnen, olie en scherpe randen.

Berg de machine veilig op

Berg de machine, oplader en accu na gebruik op in een droge ruimte, buiten het bereik van kinderen.

Onderhoud de machine met zorg

Houd snijgereedschappen scherp en schoon om beter en veiliger te kunnen werken. Houdt u aan de instructies met betrekking tot het onderhoud en het vervangen van accessoires.

Houd de handgrepen en schakelaars droog en vrij van olie en vet.

Reparaties

Deze machine voldoet aan de geldende veiligheidseisen. Reparaties mogen uitsluitend worden uitgevoerd door bevoegde vakmensen en met behulp van originele reserveonderdelen; anders kan er een aanzienlijk gevaar voor de gebruiker ontstaan.

Aanvullende veiligheidsvoorschriften voor accu's en opladers

Accu's

- ◆ Probeer nooit een accu te openen.
- ◆ Stel accu's niet aan water bloot.
- ◆ Bewaar accu's niet op plaatsen waar de temperatuur 40 °C kan overschrijden.
- ◆ Laad accu's uitsluitend op bij een omgevingstemperatuur tussen 4 °C en 40 °C.
- ◆ Laad accu's uitsluitend op met behulp van de meegeleverde oplader (zie technische gegevens).
- ◆ Controleer voor het opladen of de accu droog en schoon is.
- ◆ Gebruik het juiste type accu voor de machine (zie technische gegevens).
- ◆ Volg bij het afdanken van accu's de instructies in de paragraaf "Milieu" op.
- ◆ Onder extreme gebruikscondities kan er vloeistof uit de accu vrijkomen. Als u vloeistof op de accu opmerkt, gaat u als volgt te werk:
 - Verwijder met behulp van een doekje voorzichtig de vloeistof van de accu. Vermijd huidcontact.
 - Als de vloeistof toch in aanraking komt met de huid of de ogen, volgt u de onderstaande instructies op.

Waarschuwing! De accuvloeistof bestaat uit een 25-30 % oplossing van kaliumhydroxide en kan gevaarlijk zijn.

Indien accuvloeistof met de huid in aanraking is gekomen, spoel dan de huid onmiddellijk met water af. Neutraliseer de vloeistof met een zwak zuur zoals citroensap of azijn.

Indien de accuvloeistof in de ogen is gekomen, spoel de ogen dan gedurende minimaal 10 minuten met schoon stromend water. Raadpleeg vervolgens een arts.



Vorkom kortsluiting tussen de contactpunten van een losse accu (bijv. door het bewaren van sleutels in dezelfde zak als de accu).



Verbrand de accu nooit.



Probeer nooit een beschadigde accu op te laden.

Opladers

- ◆ Gebruik uw Black & Decker oplader uitsluitend voor het opladen van accu's van het meegeleverde type. Andere accu's kunnen barsten, wat tot letsel en materiële schade kan leiden.
- ◆ Probeer nooit om niet oplaadbare batterijen op te laden.
- ◆ Laat een defect netsnoer onmiddellijk vervangen.
- ◆ Stel de oplader niet aan water bloot.
- ◆ Open de oplader niet.
- ◆ Steek geen voorwerpen in het inwendige van de oplader.



Uitsluitend voor gebruik binnenshuis.

Aanvullende veiligheidsinstructies voor schroef/boormachines

- ◆ Controleer voordat u gaat boren in muren, vloeren of plafonds de locatie van eventueel aanwezige gas-, water- en elektriciteitsleidingen.
- ◆ Vermijd aanraking met de punt van de boor vlak na het boren, omdat deze heet kan zijn.

Aanvullende veiligheidsinstructies voor decoupeerzagen

- ◆ Gebruik altijd het geschikte type zaagblad voor het te bewerken materiaal en de te verrichten zaagsnede.
- ◆ Gebruik alleen zaagbladen in perfecte conditie.
- ◆ Schakel altijd de machine uit en wacht altijd tot het zaagblad volledig tot stilstand is gekomen voordat u de machine neerlegt.
- ◆ Houd uw handen weg van het zaagblad tijdens de werkzaamheden.
- ◆ Gebruik indien mogelijk klemmen of een bankschroef om het werkstuk vast te zetten.

Aanvullende veiligheidsinstructies voor schuurmachines

- ◆ Gebruik bij voorkeur een stofmasker bij het schuren.
- ◆ Verwijder zorgvuldig alle stof na het schuren.
- ◆ Neem speciale maatregelen bij het schuren van verf met mogelijk een loodbasis of bij het schuren van bepaalde hout- en metaalsoorten die mogelijk giftige stoffen produceren:
 - Draag een stofmasker dat speciaal ontworpen is ter bescherming tegen loodverfstof en -damp en verzekert u ervan dat andere personen op de werkvloer of die de werkvloer betreden eveneens beschermd zijn.
 - Kinderen en zwangere vrouwen mogen de werkvloer niet betreden.
 - Eten, drinken en roken op de werkvloer is niet toegestaan.
 - Verwijder stof en ander afval op veilige en verantwoorde wijze.

Elektrische veiligheid

Controleer of de ingangsspanning van de oplader overeenkomt met de netspanning.



Uw oplader is dubbel geïsoleerd overeenkomstig EN 60335. Een aarddraad is daarom niet vereist.

OVERZICHT (fig. A)

Motoreenheid

1. Schakelaar voor elektronisch regelbaar toerental
2. Links/rechtsschuif
3. Ontgrendelingsknop voor verwisselbare kop
4. Bithouder
5. Accu
6. Accu-ontgrendelingsknoppen

Boor- en schroefkop

7. Kraag voor koppelinstelling
8. Boorhouder

Decoupeerzaagkop

9. Ontgrendelingsknop
10. Zaagschoen

Schuurkop

11. Schuurzool

Oplader

12. Oplader
13. Oplaadindicator
14. Indicator einde oplaadtijd

Montage

Waarschuwing! Neem voor de montage de accu van de machine.

Aanbrengen en verwijderen van de accu (fig. B)

KC2000

- ◆ Om de accu (5) aan te brengen, houdt u hem voor de houder in de machine. Schuif de accu in de houder en duw deze aan totdat hij vastklikt.
- ◆ Om de accu te verwijderen, drukt u de twee ontgrendelingsknoppen (6) tegelijk in en trekt de accu uit de houder.

KC2002

- ◆ Om de accu (5) aan te brengen, houdt u hem voor de houder in de machine. Schuif de accu in de houder en duw deze aan totdat hij vastklikt.

- ◆ Om de accu te verwijderen, drukt u de ontgrendelingsknop (10) in trekt u tegelijk de accu uit de houder.

Monteren en verwijderen van een verwisselbare kop (fig. C)

De verwisselbare koppen kunnen eenvoudig worden omgewisseld.

- ◆ Vergrendel de machine door de links/rechts-schuif (2) in de middenpositie te zetten.
- ◆ Om een verwisselbare kop te verwijderen, drukt u de ontgrendelingsknop (3) in en neemt de kop van de machine.
- ◆ Om een verwisselbare kop te monteren, houdt u hem voor de machine zoals afgebeeld en drukt hem in de machine tot hij vastklikt.

Monteren en verwijderen van een boor of schroefbit (fig. A & D)

De boor- en schroefkop is voorzien van een snelspanboorhouder voor eenvoudig verwisselen van bits.

- ◆ Vergrendel de machine door de links/rechtsschuif (2) in de middenpositie te zetten (fig. A).
- ◆ Open de boorhouder door met één hand aan het voorste deel (15) te draaien en ondertussen met de andere hand het achterste deel (16) vast te houden (fig. D).
- ◆ Steek de schacht van de boor of bit (17) in de boorhouder.
- ◆ Draai de boorhouder stevig vast door met één hand aan het voorste deel (15) te draaien en ondertussen met de andere hand het achterste deel (16) vast te houden.

Deze machine wordt geleverd met een dubbelzijdige schroevendraaierbit in de bithouder (4) (fig. A).

- ◆ Om de schroefbit uit de bithouder te verwijderen, licht u de bit uit de uitsparing.
- ◆ Om de schroefbit te bewaren, drukt u deze stevig in de houder.

Monteren en verwijderen van een zaagblad (fig. F & G)

- ◆ Vergrendel de machine door de links/rechts-schuif (2) in de middenpositie te zetten (fig. F).
- ◆ Om een zaagblad te monteren, licht u de hefboom (18) op en houdt hem in deze positie (fig. G).
- ◆ Steek een zaagblad in de houder zoals afgebeeld. Zorg dat de tanden naar voren wijzen.
- ◆ Laat de hefboom los.
- ◆ Om het zaagblad te verwijderen, licht u de hefboom (18) op en trekt het zaagblad uit de houder.

Monteren en verwijderen van schuurvellen (fig. F & I)

De schuurkop maakt gebruik van geprefabriceerde schuurvellen.

- ◆ Vergrendel de machine door de links/rechts-schuif (2) in de middenpositie te zetten (fig. F).
- ◆ Verwijder voordat u een nieuw vel aanbrengt de twee bijgevoegde schuurpunten (20) (fig. I).

- ◆ Om een schuurvel te monteren, houdt u het voor de schuurzool zoals afgebeeld.
- ◆ Druk het vel stevig en gelijk tegen de schuurzool en zorg dat de gaten in het vel samenvallen met de gaten in de zool.
- ◆ Om een vel te verwijderen, trekt u het van de schuurzool.

Waarschuwing! Gebruik nooit de schuurkop zonder schuurvel of accessoire.

Vervangen van de schuurpunten (fig. F & J)

De schuurvellen worden geleverd met twee reserve-schuurpunten. De schuurpunt kan worden omgedraaid indien deze versleten is. Vervang de schuurpunt zodra deze aan beide kanten versleten is.

- ◆ Vergrendel de machine door de links/rechts-schuif (2) in de middenpositie te zetten (fig. F).
- ◆ Om de punt om te draaien, verwijdert u hem, draait hem 180° en drukt hem terug op de zool zoals afgebeeld (fig. J).
- ◆ Om de punt te vervangen, trekt u de oude punt van de zool en drukt een nieuwe op de zool.

Waarschuwing! Let op dat u bij het verwijderen van de punt van de zool niet het kussen meetrekt.

Gebruik

Waarschuwing! Laat de machine op haar eigen tempo werken. Niet overbelasten.

Opladen van de accu (fig. A)

De accu moet worden opgeladen voor het eerste gebruik alsmede zodra hij niet meer genoeg energie levert voor werkzaamheden die eerder moeiteloos konden worden verricht. Een nieuwe accu, of een accu die gedurende lange tijd niet gebruikt is, zal pas optimaal werken na ongeveer vijf cycli van volledig opladen en volledig ontladen. Tijdens het opladen kan de accu warm aanvoelen. Dit is normaal en duidt niet op een defect. Bij normaal gebruik zal een oplaadperiode van 60 minuten voldoende zijn voor de meeste toepassingen. Een verdere oplading tot 90 minuten zal echter, afhankelijk van de toestand van de accu en de oplaadomstandigheden, de gebruikstijd sterk verlengen.

Waarschuwing! Laad de accu niet op bij omgevingstemperaturen onder 4 °C of boven 40 °C.
Aanbevolen oplaadtemperatuur: ca. 24 °C.

- ◆ Om de accu (5) op te laden, haalt u deze uit de machine en steekt hem in de oplader (12). De accu past slechts op één manier in de oplader. Niet forceren. Verzekert u ervan dat de accu volledig in de oplader is geplaatst.

- ◆ Steek de stekker van de oplader in het stopcontact.
- ◆ Controleer of de rode oplaadindicator (13) brandt. Als de groene indicator einde oplaadtijd (14) brandt, is de accu te heet en kan deze niet worden opgeladen. Indien dit gebeurt, haalt u de accu uit de oplader en laat hem ongeveer 1 uur afkoelen voordat u de accu terugplaatst.

Na ongeveer 1 uur opladen dooft de rode oplaadindicator (13) en gaat de groene indicator einde oplaadtijd (14) branden. De accu is nu volledig opgeladen.

- ◆ Verwijder de accu uit de oplader.

Selecteren van de koppel- of boorpositie (fig. E)

Deze machine is voorzien van een kraag om het koppel in te stellen voor het vastdraaien van schroeven.

- ◆ Voor boren zet u de kraag (7) in de boorpositie door het symbool  in lijn met de markering (21) te brengen.
- ◆ Voor schroevendraaien zet u de kraag in de gewenste stand. Als u de geschikte stand nog niet kent, gaat u als volgt te werk:
 - ◆ Zet de kraag (7) in positie 1.
 - ◆ Draai de eerste schroef in.
 - ◆ Als de koppeling slipt voordat het gewenste resultaat is bereikt, verhoogt u de koppelstand en vervolgt u het indraaien van de schroef. Herhaal totdat u de juiste stand bereikt. Gebruik deze stand voor de resterende schroeven.

Selecteren van de draairichting (fig. A)

Kies voor boren, zagen, schuren en schroeven draaien de draairichting rechtsom (met de klok mee). Kies voor schroeven losdraaien of voor het verwijderen van een vastgelopen boorbit de draairichting linksom (tegen de klok in).

- ◆ Om de draairichting rechtsom te selecteren, drukt u de links/rechts-schuif (2) naar links.
- ◆ Om de draairichting linksom te selecteren, drukt u de links/rechts-schuif (2) naar rechts.
- ◆ Om de machine te vergrendelen, zet u de links/rechts-schuif in de middenpositie.

Boren/schroeven draaien (fig. A)

- ◆ Selecteer de draairichting links- of rechtsom met behulp van de links/rechts-schuif (2).
- ◆ Om de machine in te schakelen, drukt u de variabele-snelheidsschakelaar (1) in. De machinesnelheid hangt af van hoever u de schakelaar indrukt.
- ◆ Om de machine uit te schakelen, laat u de variabele-snelheidsschakelaar los.

Instellen van de zaaghoek (fig. F & H)

De zaagschoen kan worden ingesteld op hoeken van 0° (recht) en 45° (rechtse afschuining).

- ◆ Vergrendel de machine door de links/rechts-schuif (2) in de middenpositie te zetten (fig. F).

- ◆ Draai de schroef (19) los totdat de schoen vrij kan bewegen (fig. H).
- ◆ Trek de zaagschoen naar voren en kantel hem in de gewenste hoek.
- ◆ Draai de schroef (19) vast.

Zagen (fig. F)

- ◆ Selecteer de draairichting rechtsom door de links/rechts-schuif (2) naar links te bewegen.
- ◆ Om de machine in te schakelen, houdt u de ontgrendelingsknop (9) ingedrukt en drukt de variabelesnelheidsschakelaar (1) in. De machinesnelheid hangt af van hoever u de schakelaar indrukt.
- ◆ Laat de ontgrendelingsknop (9) los.
- ◆ Om de machine uit te schakelen, laat u de variabelesnelheidsschakelaar los.

Schuren (fig. A)

- ◆ Selecteer de draairichting rechtsom door de links/rechts-schuif (2) naar links te bewegen.
- ◆ Om de machine in te schakelen, drukt u de variabelesnelheidsschakelaar (1) in. De machinesnelheid hangt af van hoever u de schakelaar indrukt.
- ◆ Om de machine uit te schakelen, laat u de variabelesnelheidsschakelaar los.

Tips voor optimaal gebruik

Boren

- ◆ Voer altijd lichte druk uit in een rechte lijn met de boorbit.
- ◆ Verminder de druk op de machine net voordat de boorpunt door de andere kant van het werkstuk heengaat.
- ◆ Gebruik een blok hout om werkstukken die kunnen versplinteren te beschermen.
- ◆ Gebruik houtboorbits voor boren van grote gaten in hout.
- ◆ Gebruik HSS-boorbits voor boren in metaal.
- ◆ Gebruik steenboorbits voor boren in zacht metselwerk.
- ◆ Gebruik een smeermiddel voor boren in andere metalen dan gietijzer en koper.
- ◆ Maak een inkerving met behulp van een centre punch in het midden van het te boren gat om de nauwkeurigheid te vergroten.

Schroevendraaien

- ◆ Gebruik altijd het juiste type en de juiste maat schroefbit.
- ◆ Als schroeven moeilijk in te draaien zijn, gebruik dan een beetje vloeibaar wasmiddel of zeep als smeermiddel.
- ◆ Houd de machine en schroefbit altijd in een rechte lijn met de schroef.

Zagen

- ◆ Gebruik altijd het geschikte type zaagblad voor het te bewerken materiaal en de te verrichten zaagsnede.
- ◆ Boor indien nodig een gat in de buurt van het beginpunt van de snede.

Voor het zagen van houten werkstukken is het niet nodig om een begingat te boren:

- ◆ Markeer het gewenste beginpunt.
- ◆ Kantel de machine naar voren en plaats de afgeronde voorkant van de zaagschoen op het werkstuk.
- ◆ Schakel de machine in en voer het zaagblad langzaam op het gewenste beginpunt in het werkstuk.

Bij het zagen van blik:

- ◆ Klem een stuk spaanplaat of zachtboard tegen de achterkant van het werkstuk en zaag door de combinatie heen om een mooie snede te verkrijgen.
- ◆ Voer de zaag niet met geweld door het werkstuk. Onthoud dat het zagen van blik gewoonlijk meer tijd kost dan het zagen van dikkere houten werkstukken.
- ◆ Smeer een dunne laag olie op de zaaglijn voordat u begint te zagen.
- ◆ Om te zagen, schakelt u in en beweegt de machine naar beneden totdat het zaagblad net over het beginpunt is. Laat de achterkant van de schoen in de richting van het werkstuk zakken en houd al draaiende een stevige druk op de zaagschoen. Voer het blad door het werkstuk met de schoen plat op het werkstuk.

Bij het zagen van multiplexplaten:

- ◆ Zaag dunne multiplexplaten met de onderkant naar boven, aangezien het meest waarschijnlijk is dat versplintering plaatsvindt aan de zijde van het werkstuk die naar de zaagschoen is gekeerd.
- ◆ Klem een stuk spaanplaat of hardboard tegen beide kanten van het multiplex en zaag door de aldus gevormde sandwich heen om een mooie snede te verkrijgen.

Schuren

- ◆ Voer niet te veel druk op de machine uit.
- ◆ Controleer regelmatig de conditie van het schuurvel. Vervang indien nodig.
- ◆ Gebruik een extra fijne korrel bij het schuren van een nieuwe verflaag voordat een volgende verflaag wordt aangebracht.
- ◆ Begin op zeer oneffen oppervlakken of bij het verwijderen van verflagen met een grove korrel. Begin op andere oppervlakken met een mediumkorrel. Ga in beide gevallen geleidelijk aan over op een fijne korrel voor een gladde afwerking.
- ◆ Informeer bij uw detailhandel voor meer informatie over de verkrijgbare accessoires voor schuren, polijsten, afstrippen en borstelen.

Onderhoud

Uw Black & Decker machine is ontworpen om gedurende langere periode te functioneren met een minimum aan onderhoud. Voortdurend tevreden gebruik is afhankelijk van correct onderhoud en regelmatig schoonmaken.

Uw oplader heeft geen ander onderhoud dan een regelmatige reiniging.

Waarschuwing! Verwijder de accu van de machine alvorens onderhoudswerkzaamheden uit te voeren. Koppel voor het reinigen van de oplader de netstekker los van het lichtnet.

- ◆ Reinig regelmatig de ventilatieopeningen van de machine en oplader met behulp van een zachte borstel of een droge doek.
- ◆ Reinig regelmatig de behuizing van de motor met een vochtige doek. Gebruik geen schuur- of oplosmiddel.
- ◆ Open regelmatig de boorhouder en tik zachtjes om eventueel stof uit de binnenkant te verwijderen.
- ◆ Breng regelmatig een druppel lichte machineolie aan op de geleiderol (22) van de decoupeerzaagkop (fig. K).

Milieu

Machines



Black & Decker biedt de mogelijkheid tot recyclen van afgedankte Black & Decker producten en accu's. Deze service is kosteloos. Om gebruik van deze service te maken, dient u het product aan een van onze servicecentra te sturen, die voor ons de inzameling verzorgen.

Accu's



Black & Decker accu's kunnen vele malen opnieuw worden opgeladen. Versleten accu's dienen op milieubewuste wijze te worden verwijderd:

- ◆ Gebruik de energie van de accu helemaal op en verwijder hem dan van de machine.
- ◆ NiCd- en NiMH-accu's zijn te recyclen. Breng ze naar een servicecentrum of naar een plaatselijk verwerkingscentrum voor klein chemisch afval.

U kunt het adres van het dichtstbijzijnde servicecentrum opvragen via de adressen op de achterzijde van deze handleiding. U kunt ook een lijst van onze servicecentra en meer informatie m.b.t. onze klantenservice vinden op het volgende Internet-adres: **www.2helpU.com**.

Technische gegevens

	KC2000	KC2002
Spanning	V _{DC} 12	14,4
Cat. nr. accu	A9275	\$
Schroef/boormachine:		
Onbelast toerental	min ⁻¹ 0 - 700	0 - \$
Max. koppel	Nm 6,2	\$
Boorhoudercapaciteit	mm 10	10
Max. boorcapaciteit in staal/hout	mm 10/25	10/25
Decoupeerzaag:		
Onbelast toerental	min ⁻¹ 0 - 3.000	0 - 3.000
Max. zaagdiepte in hout	mm 38	38
Zaaghoeken	0°, 45°	0°, 45°
Schuurmachine:		
Oscillaties (onbelast)	min ⁻¹ 0 - 8.000	0 - 8.000

Accu	A9275	\$
Spanning	V _{DC} 12	14,4
Capaciteit	Ah 1,5	\$

Oplader	
Netspanning	V _{AC} 230
Gemiddelde oplaadtijd	h 1

EG-verklaring van overeenstemming

Black & Decker verklaart dat deze machines in overeenstemming zijn met:

EN 50260, EN 55014-1, EN 55014-2, EN 61000-3-2, EN 61000-3-3, EN 60335

L_{pA} (geluidsdruk): 82 dB(A), L_{WA} (geluidsvermogen) 95 dB(A), gewogen kwadratische gemiddelde waarde van de versnelling 5.3 m/s²

Colin Wills

Director of Engineering
BDCI, 4/F, 2 Dai Wang Street
Tai Po Industrial Estate
Tai Po NT, Hong Kong

Garantie

Black & Decker heeft vertrouwen in zijn producten en biedt een uitstekende garantie. Deze garantiebepalingen vormen een aanvulling op uw wettelijke rechten en beperken deze niet. De garantie geldt in de lidstaten van de Europese Unie en de Europese Vrijhandelsassociatie.

Mocht uw Black & Decker product binnen 24 maanden na datum van aankoop defect raken tengevolge van materiaal- of constructiefouten, dan garanderen wij de kosteloze vervanging van defecte onderdelen, de reparatie van het product of de vervanging van het product, tenzij:

- ◆ Het product is gebruikt voor handelsdoeleinden, professionele toepassingen of verhuurdoeleinden;
- ◆ Het product onoordeelkundig is gebruikt;
- ◆ Het product is beschadigd door invloeden van buitenaf of door een ongeval;
- ◆ Reparaties zijn uitgevoerd door anderen dan onze servicecentra of Black & Decker personeel.

Om een beroep op de garantie te doen, dient u een aankoopbewijs te overhandigen aan de verkoper of een van onze servicecentra. U kunt het adres van het dichtstbijzijnde servicecentrum opvragen via de adressen op de achterzijde van deze handleiding. U kunt ook een lijst van onze servicecentra en meer informatie m.b.t. onze klantenservice vinden op het volgende Internet-adres: **www.2helpU.com**.

Finalidad

Su herramienta multifunción de Black & Decker está diseñada para una amplia gama de tareas de bricolaje.

Usando el cabezal para taladrar/atornillar, la herramienta puede emplearse para tareas de atornillado y para taladrar madera, metales, plásticos y mampostería blanda.

Usando el cabezal para cortar, la herramienta puede emplearse para cortar madera, metales y plásticos.

Usando el cabezal para lijar, la herramienta puede emplearse para lijar madera, metales, plásticos y superficies pintadas.

Esta herramienta está pensada únicamente para uso doméstico.

Su cargador Black & Decker está diseñado para cargar baterías Black & Decker del tipo suministrado con la herramienta.

Instrucciones de seguridad

- ◆ **¡Atención!** Cuando use herramientas alimentadas por batería, debe adoptar siempre las precauciones de seguridad básicas, incluidas las siguientes, a fin de reducir el riesgo de incendio, pérdida del líquido de las baterías, lesiones personales y daños materiales.
- ◆ Lea completamente este manual antes de utilizar la herramienta.
- ◆ Mantenga a mano este manual para consultas posteriores.

Mantenga limpia el área de trabajo

Un área o un banco de trabajo en desorden aumentan el riesgo de accidentes.

Tenga en cuenta el entorno del área de trabajo

No exponga herramientas a la humedad.

Procure que el área de trabajo esté bien iluminada. No utilice la herramienta donde exista riesgo de incendio o explosión, p. ej. en la proximidad de líquidos o gases inflamables.

¡Mantenga alejados a los niños!

No permita que niños, otras personas o animales se acerquen al área de trabajo o toquen la herramienta.

Vista ropa de trabajo apropiada

No lleve vestidos anchos ni joyas. Estos podrían ser atrapados por piezas en movimiento. Para trabajos en el exterior, se recomienda llevar guantes de goma y calzado de suela antideslizante. Si tiene el pelo largo, téngalo recogido y cubierto.

Protección personal

Lleve gafas de protección. Utilice una mascarilla si el trabajo ejecutado produce polvo u otras partículas volantes. Lleve protectores para los oídos cuando el ruido pueda resultar molesto.

No alargue demasiado su radio de acción

Mantenga un apoyo firme sobre el suelo y conserve el equilibrio en todo momento.

Esté siempre alerta

Mire lo que está haciendo. Use el sentido común. No maneje la herramienta cuando está cansado.

Sujete bien la pieza de trabajo

Utilice abrazaderas o un torno para sujetar la pieza de trabajo. Es más seguro que sujetarla con la mano y le permite utilizar ambas manos para manejar la herramienta.

Conecte los accesorios para la extracción de polvo.

Si se suministran adaptadores para la conexión de accesorios extractores y para el almacenamiento del polvo, asegúrese de que se conectan y utilizan adecuadamente.

Retire las llaves de maniobra

Antes de poner la herramienta en marcha, asegúrese de que las llaves y utensilios de reglaje hayan sido retirados.

Utilice la herramienta adecuada

En este manual se explica para qué uso está destinada la herramienta. No utilice herramientas o dispositivos acoplables de potencia demasiado débil para ejecutar trabajos pesados. La herramienta funcionará mejor y con mayor seguridad al ser utilizada de acuerdo con sus características técnicas.

No fuerce la herramienta.

¡Atención! El uso de otros accesorios, adaptadores, o la propia utilización de la herramienta en cualquier forma diferente de las recomendadas en este manual de instrucciones puede constituir un riesgo de lesiones a las personas.

Compruebe que no haya piezas averiadas

Antes de usarla, compruebe cuidadosamente que la herramienta no esté estropeada. Compruebe la posible existencia de piezas móviles mal alineadas o atascadas, la rotura de piezas, el posible daño de protectores e interruptores y cualquier otro aspecto que pueda afectar al funcionamiento de la herramienta.

Asegúrese de que la herramienta puede funcionar adecuadamente y cumplir con el cometido para el que ha sido diseñada. No use la herramienta si hay alguna pieza defectuosa o averiada. No utilice la herramienta si no es posible apagar y encender el interruptor. Encargue al servicio técnico autorizado que repare o sustituya las piezas defectuosas o averiadas. Jamás intente repararla usted mismo.

Extracción de la batería

Extraiga la batería cuando no esté usando la herramienta, antes de sustituir piezas, accesorios o acoplamientos, y antes de efectuar revisiones.

Evite un arranque involuntario

Procure no tocar el conmutador de encendido/apagado mientras transporta la herramienta. Compruebe que la herramienta está desconectada antes de proceder a colocar la batería en la herramienta.

Cuide el cable de alimentación

No lleve la herramienta por el cable, ni tire del cable para desenchufar la herramienta. Proteja el cable del calor, del aceite y de las aristas vivas.

Guarde las herramientas que no utiliza

Las herramientas, cargadores y baterías que no se utilizan, deben estar protegiéndolos en un lugar seco y cerrado o elevado, fuera del alcance de los niños.

Mantenga las herramientas asiduamente

Mantenga sus herramientas afiladas y limpias para trabajar mejor y más seguro. Siga las instrucciones para el mantenimiento y la sustitución de accesorios. Mantenga los mandos y conmutadores secos, limpios y libres de aceite y grasa.

Reparaciones

Esta herramienta cumple las normas de seguridad aplicables. Las reparaciones deben llevarse a cabo por personal cualificado, usando piezas de recambio originales; en caso contrario, podría ocasionarse un considerable riesgo para el usuario.

Instrucciones de seguridad adicionales para baterías y cargadores

Baterías

- ◆ Nunca intente abrirlas por ningún motivo.
- ◆ No las esponga al agua.
- ◆ No las almacene en lugares donde la temperatura pueda exceder los 40 °C.
- ◆ Cargue las baterías únicamente a temperaturas entre 4 °C y 40 °C.
- ◆ Use únicamente el cargador suministrado para cargar la herramienta (consulte las características técnicas).
- ◆ Antes de cargarla, compruebe que la batería está seca y limpia.
- ◆ Use el tipo de batería correcto para la herramienta (consulte las características técnicas).
- ◆ Cuando deseche las baterías, siga las instrucciones reseñadas en la sección "Medio ambiente".
- ◆ Bajo condiciones extremas, la batería podría perder líquido. Si observa que la batería ha perdido líquido, proceda del modo siguiente:
 - Limpie cuidadosamente el líquido con un paño. Evite el contacto con la piel.
 - En caso de producirse contacto con la piel o los ojos, siga estas instrucciones.

¡Atención! El líquido una solución de un 25-30% de hidróxido de potasio, puede resultar nocivo. En caso de que entre en contacto con la piel, lávese inmediatamente con agua. Neutralícelo con un ácido suave como zumo de limón o vinagre. En caso de que entre en contacto con los ojos, láveselos con agua limpia abundante durante al menos 10 minutos. Consulte a un médico.



¡Peligro de incendio! Evite que se produzcan cortocircuitos metálicos en los contactos de una batería suelta (por ejemplo, no lleve llaves en el mismo bolsillo que una batería).



No arroje la batería al fuego.



No cargar baterías en mal estado.

Cargadores

- ◆ Use el cargador Black & Decker únicamente para cargar baterías del tipo suministrado. Otras baterías podrían estallar, causando daños y lesiones personales.
- ◆ No intente nunca cargar baterías no-recargables.
- ◆ Sustituye inmediatamente los cables defectuosos.
- ◆ No esponga el cargador al agua.
- ◆ No abra el cargador.
- ◆ No manipule el cargador.



Para uso exclusivo en interiores.

Instrucciones de seguridad adicionales para taladros/destornilladores

- ◆ Antes de taladrar paredes, suelos o techos, compruebe la ubicación de cableados y tuberías.
- ◆ Evite tocar la punta de la broca inmediatamente después de taladrar, ya que estará caliente.

Instrucciones de seguridad adicionales para sierras caladoras

- ◆ Use siempre el tipo de hoja de sierra adecuado al material de la pieza de trabajo y al tipo de corte.
- ◆ Use únicamente hojas de sierra en perfectas condiciones.
- ◆ Desconecte siempre la herramienta y espere que la hoja de sierra se pare totalmente antes de soltar la herramienta.
- ◆ Mantenga las manos alejadas de la hoja de sierra mientras trabaja.
- ◆ Siempre que sea posible, use mordazas o un tornillo de banco para sujetar la pieza de trabajo.

Instrucciones de seguridad adicionales para lijadoras

- ◆ Preferiblemente use una mascarilla contra el polvo cuando esté lijando.
- ◆ Elimine a fondo todo el polvo después de lijar.
- ◆ Ponga cuidado cuando lije pinturas con posible contenido de plomo o algunos tipos de maderas y metales que puedan producir polvo tóxico.
 - Lleve una mascarilla contra el polvo diseñada específicamente para proteger contra el polvo y las emanaciones de pinturas con plomo y asegúrese de que las demás personas próximas a la zona de trabajo también están protegidas.
 - No permita la entrada de niños o mujeres embarazadas a la zona de trabajo.

- No coma, beba o fume en la zona de trabajo.
- Deshágase de las partículas de polvo y demás residuos de un modo seguro.

Seguridad eléctrica

Compruebe siempre que el voltaje de la red corresponde al valor indicado en la placa de características.



Su cargador tiene doble aislamiento, conforme a la norma EN 60335; por consiguiente, no se requiere conexión a tierra.

VISTA GENERAL (fig. A)

Motor

1. Conmutador de velocidad variable
2. Guía de deslizamiento hacia adelante/atrás
3. Botón soltador del cabezal
4. Mango de la broca
5. Batería
6. Botones de liberación para batería

Cabezal para taladrar/atornillar

7. Collarín de ajuste del par de apriete
8. Portabrocas

Cabezal para cortar

9. Botón de desbloqueo
10. Soporte de sierra

Cabezal para lijar

11. Base de la lijadora

Cargador

12. Cargador
13. Indicador de carga
14. Indicador de carga completada

Montaje

¡Atención! Antes de proceder al montaje, extraiga siempre la batería.

Colocación y retirada de la batería (fig. B)

KC2000

- ◆ Para introducir la batería (5), colóquela en línea con el receptáculo de la herramienta. Deslice la batería en el receptáculo y empújela hasta que encaje en su sitio.
- ◆ Para retirar la batería, presione los dos botones de liberación (6) simultáneamente mientras extrae la batería del receptáculo.

KC2002

- ◆ Para introducir la batería (5), colóquela en línea con el receptáculo de la herramienta. Deslice la batería en el receptáculo y empújela hasta que encaje en su sitio.
- ◆ Para retirar la batería, presione el botón de liberación (10) simultáneamente mientras extrae la batería del receptáculo.

Colocación y extracción de los cabezales de la herramienta (fig. C)

Los diferentes cabezales de la herramienta pueden intercambiarse fácilmente.

- ◆ Bloquee la herramienta colocando la guía de deslizamiento hacia adelante/atrás (2) en la posición central.
- ◆ Para quitar un cabezal de la herramienta, presione el botón soltador del cabezal (3) y extraiga el cabezal de la herramienta.
- ◆ Para colocar un cabezal en la herramienta, alinéelo con la herramienta como se indica e introdúzcalo a presión en la misma hasta que encaje en su sitio.

Colocación y extracción de una broca o un destornillador de berbiquí (fig. A & D)

El cabezal para taladrar/atornillar lleva un portabrocas sin llave para facilitar el intercambio de brocas.

- ◆ Bloquee la herramienta colocando la guía de deslizamiento hacia adelante/atrás (2) en la posición central (fig. A).
- ◆ Abra el portabrocas girando la pieza delantera (15) con una mano mientras sujeta la pieza posterior (16) con la otra (fig. D).
- ◆ Inserte el eje de la broca (17) en el portabrocas.
- ◆ Apriete firmemente el portabrocas girando la pieza delantera (15) con una mano mientras sujeta la pieza posterior (16) con la otra.

Esta herramienta se suministra con una doble punta para atornillar dentro del mango (4) (fig. A).

- ◆ Para extraer la punta del mango, levante la punta de la cavidad.
- ◆ Para colocar la punta, empújela firmemente dentro del mango.

Colocación y extracción de una hoja de sierra (fig. F & G)

- ◆ Bloquee la herramienta colocando la guía de deslizamiento hacia adelante/atrás (2) en la posición central (fig. F).
- ◆ Para colocar una hoja de sierra, levante la palanca (18) y sujétela en esta posición (fig. G).
- ◆ Inserte la hoja de sierra en el portaherramientas como se indica. Compruebe que los dientes apuntan hacia adelante.
- ◆ Suelte la palanca.
- ◆ Para quitar la hoja de sierra, levante la palanca (18) y extraiga la hoja del portaherramientas.

Colocación y extracción de las hojas lijadoras (fig. F & I)

El cabezal para lijar usa hojas lijadoras precortadas.

- ◆ Bloquee la herramienta colocando la guía de deslizamiento hacia adelante/atrás (2) en la posición central (fig. F).
- ◆ Antes de colocar una hoja nueva, extraiga las dos puntas de diamante adicionales (20) (fig. I).
- ◆ Para colocar una hoja lijadora, alinéela con la base lijadora como se indica.
- ◆ Presione firme y uniformemente la hoja sobre la base lijadora, asegurándose de que los orificios de la hoja coinciden con los orificios de la base.
- ◆ Para extraer la hoja, quítela de la almohadilla lijadora.

¡Atención! No use nunca el cabezal para lijar sin una hoja o accesorio lijador en su sitio.

Sustitución de la punta de diamante para lijar (fig. F & J)

Las hojas lijadoras se suministran con dos puntas de diamante de recambio. La punta de diamante puede invertirse cuando esté gastada. Sustituya la punta de diamante cuando ambos lados estén gastados.

- ◆ Bloquee la herramienta colocando la guía de deslizamiento hacia adelante/atrás (2) en la posición central (fig. F).
- ◆ Para invertir la punta, extraígalas, gírelas 180° y vuelva a colocarla, presionando contra la base como se indica (fig. J).
- ◆ Para sustituir la punta, extraiga la punta antigua de la base y coloque una nueva presionando contra la base.

¡Atención! Cuando quite la punta de la almohadilla, tenga cuidado de no quitar también la almohadilla de la base lijadora.

Uso

¡Atención! Deje que la herramienta funcione a su ritmo. No la sobrecargue.

Carga de la batería (fig. A)

La batería debe cargarse antes de usar la herramienta por primera vez y siempre que no tenga la suficiente potencia para las tareas que antes se realizaban fácilmente. Una batería nueva, o una batería que no haya sido utilizada durante un largo periodo, alcanza su máximo rendimiento solamente después de 5 ciclos de carga y descarga aproximadamente. Durante la carga, la batería podría calentarse; esto es normal y no indica ningún problema. Tras una utilización normal, será suficiente con un tiempo de carga de 60 minutos para la mayoría de las aplicaciones. No obstante, una carga de hasta 90 minutos podría incrementar, significativamente, el tiempo de uso, dependiendo de la batería y de las condiciones de carga.

¡Atención! No cargue la batería a una temperatura ambiente inferior a 4 °C o superior a 40 °C. Temperatura recomendada de carga: aprox. 24 °C.


- ◆ Para cargar la batería (5), extraígalas de la herramienta e insértelas en el cargador (12). La batería encajará en el cargador sólo en un sentido. No la fuerce. Compruebe que la batería está totalmente insertada en el cargador.
- ◆ Enchufe el cargador.
- ◆ Compruebe que el indicador rojo de carga (13) está encendido. Si en su lugar se enciende el indicador verde de carga (14), entonces la batería está demasiado caliente y no puede cargarse. Si ocurre esto, extraiga la batería del cargador, deje que se enfríe durante 1 hora aproximadamente y vuelva a insertarla.

Después de 1 hora aproximada de carga, el indicador rojo (13) se apagará y se encenderá el indicador verde (14). Entonces la batería estará totalmente cargada.

- ◆ Extraiga la batería del cargador.

Selección del par de apriete o de la posición para taladrar (fig. E)

Esta herramienta lleva acoplado un collarín para establecer el par de apriete de los tornillos.

- ◆ Para taladrar, coloque el collarín (7) en la posición de taladrado alineando el símbolo  con la marca (21).
- ◆ Para atornillar, coloque el collarín en el valor deseado. Si todavía no sabe cuál es el valor apropiado, proceda del modo siguiente:
 - ◆ Coloque el collarín (7) en la posición 1.
 - ◆ Apriete el primer tornillo.
 - ◆ Si el embrague se endenta antes de lograr el resultado deseado, aumente el valor del collarín y continúe apretando el tornillo. Repita el procedimiento hasta que alcance el valor correcto. Utilice dicho valor para los tornillos restantes.

Selección de la dirección de rotación (fig. A)

Para taladrar, cortar, lijar y apretar tornillos, use la rotación directa (en el sentido de las agujas del reloj). Para aflojar tornillos o para extraer una broca atascada, use la rotación inversa (en sentido contrario a las agujas del reloj).

- ◆ Para seleccionar la rotación directa, empuje la guía de deslizamiento hacia adelante/atrás (2) hacia la izquierda.
- ◆ Para seleccionar la rotación inversa, empuje la guía de deslizamiento hacia adelante/atrás hacia la derecha.
- ◆ Para bloquear la herramienta, coloque la guía de deslizamiento hacia adelante/atrás en la posición central.

Taladrado/atornillado (fig. A)

- ◆ Seleccione la rotación directa o inversa usando la guía de deslizamiento hacia adelante/atrás (2).

- ◆ Para poner en marcha la herramienta, presione el conmutador de velocidad variable (1). La velocidad de la herramienta dependerá de hasta dónde presione el conmutador.
- ◆ Para desconectar la herramienta, suelte el conmutador de velocidad variable.

Ajuste del ángulo de serrado (fig. F & H)

El soporte de sierra puede ajustarse a 0° (recto) y 45° (bisel del lado derecho).

- ◆ Bloquee la herramienta colocando la guía de deslizamiento hacia adelante/atrás (2) en la posición central (fig. F).
- ◆ Afloje el tornillo (19) hasta que el soporte se mueva libremente (fig. H).
- ◆ Tire del soporte de sierra hacia adelante e inclínelo al ángulo deseado.
- ◆ Apriete el tornillo (19).

Aserrado (fig. F)

- ◆ Seleccione la rotación directa moviendo la guía de deslizamiento adelante/atrás (2) hacia la izquierda.
- ◆ Para poner en marcha la herramienta, mantenga el botón de desbloqueo (9) pulsado y presione el conmutador de velocidad regulable (1). La velocidad de la herramienta dependerá de hasta dónde presione el conmutador.
- ◆ Libere el botón de desbloqueo (9).
- ◆ Para desconectar la herramienta, suelte el conmutador de velocidad variable.

Lijado (fig. A)

- ◆ Seleccione la rotación directa moviendo la guía de deslizamiento adelante/atrás (2) hacia la izquierda.
- ◆ Para poner en marcha la herramienta, presione el conmutador de velocidad variable (1). La velocidad de la herramienta dependerá de hasta dónde presione el conmutador.
- ◆ Para desconectar la herramienta, suelte el conmutador de velocidad variable.

Consejos para un uso óptimo

Taladrado

- ◆ Aplique siempre una suave presión en línea recta con la broca.
- ◆ Justo antes de que la punta de la broca atraviese la pieza de trabajo, disminuya la presión sobre la herramienta.
- ◆ Use un bloque de madera como soporte de piezas de trabajo que puedan astillarse.
- ◆ Use brocas de pala para taladrar agujeros de gran diámetro en madera.
- ◆ Use brocas de acero rápido para taladrar metal.

- ◆ Use brocas de mampostería para taladrar mampostería blanda.
- ◆ Use un lubricante para taladrar metales distintos del hierro fundido y el latón.
- ◆ Haga una marca con un punzón de perforar en el centro del agujero que desea taladrar para mayor precisión.

Atornillado

- ◆ Use siempre el tipo y el tamaño adecuado de punta.
- ◆ Si le resulta difícil apretar los tornillos, intente aplicar una pequeña cantidad de jabón o líquido jabonoso como lubricante.
- ◆ Sujete siempre la herramienta y la punta en línea recta con el tornillo.

Aserrado

- ◆ Use siempre el tipo de hoja de sierra adecuado al material de la pieza de trabajo y al tipo de corte.
- ◆ Si fuera necesario, taladre un agujero junto al punto de comienzo del corte.

Para cortar piezas de madera, no es necesario taladrar un agujero de guía:

- ◆ Marque el punto de comienzo deseado.
- ◆ Inclíne la herramienta hacia adelante y coloque el borde delantero redondeado del soporte de sierra sobre la pieza de trabajo.
- ◆ Ponga en marcha la herramienta e introduzca lentamente la hoja de sierra en la pieza de trabajo, por el punto de comienzo deseado.

Para cortar metal laminado:

- ◆ Sujete un pieza de madera contrachapada o madera blanda a la parte posterior de la pieza de trabajo y corte a través de ambos para lograr un corte limpio.
- ◆ No introduzca forzosamente la hoja de sierra en la pieza de trabajo. Tenga en cuenta que cortar metal laminado normalmente le llevará más tiempo que cortar piezas de madera más gruesas.
- ◆ Aplique una fina película de lubricante a lo largo de la línea de corte antes de cortar.
- ◆ Para cortar, ponga en marcha la herramienta y muévala hacia abajo hasta que la hoja de sierra esté colocada exactamente sobre el punto de entrada. Baje la parte posterior del soporte hacia la pieza de trabajo, al tiempo que mantiene una firme presión de giro sobre el soporte de sierra. Con el soporte plano sobre la pieza de trabajo, introduzca la hoja en la pieza de trabajo.

Para cortar laminados:

- ◆ Corte laminados finos con la cara posterior mirando hacia arriba, ya que es más probable que se astille el lado de la pieza de trabajo que mira hacia el soporte de sierra.

- ◆ Para lograr cortes limpios, sujete una pieza de madera contrachapada o un tablero de aglomerado a ambos lados del laminado y corte a través del bocadillo resultante.

Lijado

- ◆ No ejerza demasiada presión sobre la herramienta.
- ◆ Compruebe, periódicamente, el estado de la hoja de papel de lija. Sustitúyala cuando sea necesario.
- ◆ Para lijar capas de pintura nuevas antes de aplicar otra capa, utilice un papel de lija de grano extrafino.
- ◆ En superficies muy desiguales o cuando vaya a quitar capas de pintura, comience con un papel de lija de grano grueso. Sobre otras superficies, comience con un papel de lija de grano medio. En ambos casos, cambie gradualmente a un papel de lija de grano fino para lograr un buen acabado.
- ◆ Consulte a su concesionario para más información sobre los accesorios disponibles para lijar, pulir, decapar y depurar.

Mantenimiento

Su herramienta Black & Decker está diseñada para que funcione durante un largo período de tiempo con un mantenimiento mínimo. El funcionamiento satisfactorio continuado depende de un cuidado apropiado y una limpieza periódica de la herramienta. Su cargador no requiere ningún mantenimiento aparte de una limpieza periódica.

¡Atención! Antes de efectuar cualquier mantenimiento en la herramienta, retire la batería de la herramienta. Desenchufe el cargador antes de limpiarlo.

- ◆ Limpie periódicamente las ranuras de ventilación de la herramienta y del cargador con un cepillo suave o un paño seco.
- ◆ Limpie periódicamente la carcasa del motor con un paño húmedo. No utilice ninguna sustancia limpiadora abrasiva o que contenga disolventes.
- ◆ Abra periódicamente el portabrocas y golpéelo suavemente para extraer el polvo del interior.
- ◆ Aplique periódicamente una gota de algún lubricante suave para herramientas al rodillo guía (22) del cabezal para cortar (fig. K).

Protección del medio ambiente

Herramientas



Black & Decker proporciona facilidades para el reciclado de los productos Black & Decker que hayan llegado al final de su vida útil. Este servicio se proporciona de forma gratuita. Para poderlo utilizar, le rogamos entregue el producto en cualquier servicio técnico autorizado quien se hará cargo del mismo en nuestro nombre.

Baterías



Las baterías Black & Decker pueden recargarse muchas veces. Al final de su vida útil, deseche las baterías con el debido cuidado con el entorno:

- ◆ Descargue totalmente la batería, luego retírela de la herramienta.
- ◆ Las baterías NiCd y las baterías NiMH son reciclables. Entregue las baterías al servicio postventa Black & Decker o dépositelas en un punto local de reciclado.

Pueden consultar la dirección de su servicio técnico más cercano poniéndose en contacto con la oficina local de Black & Decker en la dirección que se indica en este manual. Como alternativa, se puede consultar en Internet, en la dirección siguiente, la lista de servicios técnico autorizados e información completa de nuestros servicios de postventa y contactos:

www.2helpU.com.

Características técnicas

		KC2000	KC2002
Voltaje	V _{DC}	12	14,4
Cat. no. batería		A9275	\$
Taladro/destornillador:			
Velocidad sin carga	min ⁻¹	0 - 700	0 - \$
Par máximo	Nm	6,2	\$
Capacidad del portabrocas	mm	10	10
Máxima capacidad de taladrado de acero/madera	mm	10/25	10/25
Sierra caladora:			
Velocidad sin carga	min ⁻¹	0 - 3.000	0 - 3.000
Máxima profundidad de corte de madera	mm	38	38
Ángulos de serrado	°	0°, 45°	0°, 45°
Lijadora:			
Oscilaciones (sin carga)	min ⁻¹	0 - 8.000	0 - 8.000

Batería		A9275	\$
Voltaje	V _{DC}	12	14,4
Capacidad	Ah	1,5	\$

Cargador		
Tensión de la red	V _{AC}	230
Tiempo aproximado de carga	h	1

Declaración CE de conformidad

Black & Decker certifica que estas herramientas han sido
construidas de acuerdo a las normas siguientes:

EN 50260, EN 55014-1, EN 55014-2, EN 61000-3-2,
EN 61000-3-3, EN 60335

L_{pA} (presión acústica): 82 dB(A), L_{WA} (potencia acústica)
95 dB(A), valor cuadrático medio ponderado en frecuencia
de la aceleración 5.3 m/s²



Colin Wills
Director of Engineering
BDCI, 4/F, 2 Dai Wang Street
Tai Po Industrial Estate
Tai Po NT, Hong Kong

Garantía

Black & Decker confía plenamente en la calidad de sus
productos y ofrece una garantía extraordinaria.

Esta declaración de garantía es una añadido, y en ningún caso
un perjuicio para sus derechos estatutarios. La garantía es
válida dentro de los territorios de los Estados Miembros de la
Unión Europea y de los de la Zona Europea de Libre Comercio.

Si un producto Black & Decker resultará defectuoso debido a
materiales o mano de obra defectuosos o a la falta de
conformidad, Black & Decker garantiza, dentro de los 24 meses
de la fecha de compra, la sustitución de las piezas defectuosas,
la reparación de los productos sujetos a un desgaste y rotura
razonables o la sustitución de tales productos para garantizar
al cliente el mínimo de inconvenientes, a menos que:

- ◆ El producto haya sido utilizado con propósitos comerciales,
profesionales o de alquiler;
- ◆ El producto haya sido sometido a un uso inadecuado
o negligente;
- ◆ El producto haya sufrido daños causados por objetos
o sustancias extrañas o accidentes;
- ◆ Se hayan realizado reparaciones por parte de personas
que no sean los servicios de reparación autorizados
o personal de servicios de Black & Decker;

Para reclamar en garantía, será necesario que presente la
prueba de compra al vendedor o al servicio técnico de
reparaciones autorizado. Pueden consultar la dirección de su
servicio técnico más cercano poniéndose en contacto con la
oficina local de Black & Decker en la dirección que se indica
en este manual. Como alternativa, se puede consultar en
Internet, en la dirección siguiente, la lista de servicios técnico
autorizados e información completa de nuestros servicios de
postventa y contactos: **www.2helpU.com**.

Finalidade da ferramenta

Sua ferramenta Black & Decker multifunções foi concebida para uma grande variedade de aplicações “faça você mesmo”. Utilizando-se o dispositivo de perfurar/aparafusar, esta ferramenta está destinada a aplicações de aparafusar e para perfurar madeira, metal, plásticos e alvenaria leve. Utilizando-se o dispositivo de serrar, esta ferramenta está destinada a serrar madeira, metal e plásticos. Utilizando-se o dispositivo de lixar, esta ferramenta está destinada a lixar madeira, metal, plásticos e superfícies pintadas. Esta ferramenta destina-se apenas para uso doméstico. O seu carregador Black & Decker foi desenhado para carregar as baterias Black & Decker do tipo fornecido com esta ferramenta.

Instruções de segurança

- ◆ **Aviso!** Ao utilizar ferramentas alimentadas por bateria, é preciso seguir sempre as precauções básicas de segurança, incluindo as detalhadas a seguir, para diminuir os riscos de incêndio, corrosão das baterias, ferimentos pessoais e danos materiais.
- ◆ Leia atentamente este manual antes de utilizar a ferramenta.
- ◆ Guarde este manual para futura referência.

Mantenha a área de trabalho arrumada

As mesas e áreas de trabalho desarrumadas podem provocar ferimentos.

Cuide do ambiente da área de trabalho

Não exponha a ferramenta à chuva. Não utilize a ferramenta em situações onde haja humidade ou água. Mantenha a área de trabalho bem iluminada. Não utilize a ferramenta onde haja risco de fogo ou explosão, p.ex. em presença de líquidos ou gases inflamáveis.

Mantenha as crianças afastadas

Não permita que crianças, visitantes ou animais cheguem perto da área de trabalho ou toquem na ferramenta.

Vista-se de maneira apropriada

Não use vestuário largo nem jóias porque podem prender-se numa peça móvel. Quando se trabalha no exterior, é de aconselhar o uso de luvas de borracha e de calçado antiderrapante. Cubra o cabelo se tiver cabelo comprido.

Protecção pessoal

Utilize óculos de protecção. Utilize óculos de protecção e uma máscara de rosto ou poeira sempre que as operações possam produzir poeira ou partículas que voem. Utilize protector de ouvidos sempre que o nível de ruído pareça ser incómodo.

Verifique a sua posição

Mantenha sempre o equilíbrio.

Esteja atento

Dê atenção ao que vai fazendo. Trabalhe com precaução. Não utilize ferramentas quando estiver cansado.

Segure firmemente as peças a trabalhar

Utilize grampos ou um torno para segurar as peças de trabalho. É mais seguro e permite manter as duas mãos livres para trabalhar.

Conecte o equipamento de extracção de pó

Caso sejam fornecidos os dispositivos para a conexão de extracção e colecta de pó, assegure-se de que os mesmos sejam correctamente conectados e utilizados.

Tire as chaves de aperto

Verifique sempre se as chaves de aperto foram retiradas da ferramenta antes de a utilizar.

Utilize a ferramenta apropriada

Neste manual indicam-se as aplicações da ferramenta. Não force pequenas ferramentas ou acessórios para fazer o trabalho dum ferramenta forte. A ferramenta trabalhará melhor e de uma maneira mais segura se for utilizada para o efeito indicado. Não force a ferramenta. **Aviso!** O uso de qualquer acessório ou da própria ferramenta, além do que é recomendado neste manual de instruções pode dar origem a risco de ferimento.

Verifique se há peças danificadas

Antes do uso, verifique cuidadosamente se a ferramenta está danificada. Verifique o tamanho das peças móveis e se as mesmas estão alinhadas; verifique se há alguma peça partida, se as protecções e os interruptores estão danificados, bem como quaisquer outras condições que possam afectar o funcionamento da ferramenta. Assegure-se de que a ferramenta funcione correctamente e de que esteja a desempenhar as funções para as quais foi projectada. Não utilize a ferramenta se houver alguma peça defeituosa. Não utilize a ferramenta se o interruptor não estiver a funcionar para ligar ou desligar. Qualquer peça defeituosa deve ser reparada ou substituída por um técnico autorizado. Nunca tente efectuar qualquer reparação por sua conta.

Remova a bateria

Remova a bateria quando a ferramenta não estiver em uso, antes de trocar qualquer peça da ferramenta, acessórios ou anexos e antes de enviar ao serviço técnico.

Evite ligar sem intenção

Não transporte a ferramenta com um dedo sobre o interruptor liga/desliga. Certifique-se de que a ferramenta esteja desligada quando for inserir a bateria.

Não force o cabo eléctrico

Nunca transporte a ferramenta pelo cabo e não puxe pelo cabo para tirar a ficha da tomada. Proteja o cabo contra o calor e evite o contacto com óleo e objectos cortantes.

Guarde as ferramentas que não estiverem a ser utilizadas

Quando não estiverem em uso, as ferramentas e baterias devem ser armazenadas num local seco, fora do alcance de crianças.

Cuide das suas ferramentas com atenção

Mantenha as ferramentas cortantes afiadas e limpas para um melhor e mais seguro desempenho. Siga as instruções para a manutenção e a troca de acessórios. Mantenha os punhos e os interruptores secos, limpos e isentos de óleo e gordura.

Reparos

Esta ferramenta cumpre os requisitos de segurança pertinentes. Os reparos devem ser realizados somente por pessoas qualificadas e as peças de reposição devem ser originais. A não observância disso poderá resultar em perigos consideráveis para os utilizadores.

Instruções adicionais de segurança para baterias e carregadores

Baterias

- ◆ Nunca tente abrir seja qual for a razão.
- ◆ Não exponha à água.
- ◆ Não armazene em locais onde a temperatura possa exceder 40 °C.
- ◆ Carregue somente à temperatura ambiente entre 4 °C e 40 °C.
- ◆ Carregue somente utilizando o carregador fornecido com a ferramenta (veja os dados técnicos).
- ◆ Antes de carregar, certifique-se de que a bateria esteja seca e limpa.
- ◆ Utilize somente o tipo correcto de bateria para a ferramenta (veja os dados técnicos).
- ◆ Quando se desfizer das baterias, siga as instruções dadas na secção "Ambiente".
- ◆ Sob condições extremas, pode ocorrer vazamento de bateria. Quando notar que há líquido na bateria, proceda da seguinte maneira:
 - Limpe o líquido cuidadosamente utilizando um pano. Evite o contacto com a pele.
 - Em caso de contacto com a pele ou com os olhos, siga as instruções abaixo.

Aviso! O líquido da bateria, uma 25-30% solução de hidróxido de potássio, pode ser nocivo. Em caso de contacto com a pele, lave imediatamente com água. Neutralize com um ácido suave, como sumo de limão ou vinagre. Em caso de contacto com os olhos, enxague abundantemente com água limpa durante 10 minutos. Consulte um médico.



Perigo de incêndio! Evite curto-circuito metálico nos contactos de uma bateria (p.e. chaves de porcas na mesma caixa que a bateria).



Não queime a bateria.



Não carregue baterias danificadas.

Carregadores

- ◆ Utilize seu carregador Black & Decker somente para carregar as baterias do tipo fornecido com sua ferramenta. Outras baterias poderiam explodir causando danos pessoais e estragos.
- ◆ Nunca tente carregar baterias não recarregáveis.
- ◆ Substitua os cabos defeituosos imediatamente.
- ◆ Não exponha à água.
- ◆ Não abra o carregador.
- ◆ Não submeta o carregador a testes electrónicos.



Concebido somente para uso em interior.

Instruções adicionais de segurança para berbequins/ aparafusadoras

- ◆ Antes de perfurar paredes, pisos ou tectos, verifique a localização de fios e canos.
- ◆ Evite tocar na ponta da broca imediatamente após perfurar, pois esta pode estar quente.

Instruções adicionais de segurança para serras

- ◆ Utilize sempre o tipo de lâmina de serra apropriado para o material da peça de trabalho e para o tipo de corte.
- ◆ Utilize somente lâminas de serra em perfeitas condições.
- ◆ Desligue sempre a ferramenta e espere que a lâmina de serra pare por completo antes de largar a ferramenta.
- ◆ Mantenha suas mãos bem afastadas da lâmina de serra enquanto estiver trabalhando.
- ◆ Quando for possível, utilize grampos ou um torno para segurar a peça de trabalho.

Instruções adicionais de segurança para lixadoras

- ◆ Utilize preferivelmente uma máscara para poeira quando estiver a lixar.
- ◆ Remova completamente toda a poeira após lixar.
- ◆ Tome um cuidado especial quando lixar pintura que possa conter chumbo ou quando lixar madeiras ou metais que possam produzir poeira tóxica:
 - Utilize uma máscara para poeira especificamente desenhada para protecção contra poeira e vapores de pintura com chumbo e assegure-se de que as pessoas que estejam na área de trabalho ou que entrem nesta também estejam protegidas.
 - Não permita que crianças ou mulheres grávidas entrem na área de trabalho.
 - Não coma, beba ou fume na área de trabalho.
 - Jogue fora as partículas de poeira e os detritos de maneira segura.

Segurança eléctrica

Assegure-se de que a voltagem do seu carregador corresponde com a rede de energia.



O seu carregador tem duplo isolamento em conformidade com o estipulado na norma EN 60335, não sendo, por isso, necessária uma ligação à terra.

VISÃO GERAL (fig. A)

Unidade de motor

1. Interruptor de velocidade variável
2. Selector de reversibilidade
3. Botão de liberação de dispositivo
4. Suporte de ponta
5. Bateria
6. Botões de fixação para bateria

Dispositivo de perfurar/aparafusar

7. Anel de ajuste de torque
8. Bucha

Dispositivo de serrar

9. Botão de travamento
10. Calço da serra

Dispositivo de lixar

11. Base de lixar

Carregador

12. Carregador
13. Indicador de carga
14. Indicador de carga completa

Montagem

Aviso! Antes da montagem, retire a bateria.

Colocação e remoção da bateria (fig. B)

KC2000

- ◆ Para colocar a bateria (5), alinhe-a com o receptáculo na ferramenta. Deslize a bateria no receptáculo e empurre-a até que ela encaixe no lugar.
- ◆ Para remover a bateria, prima os dois botões de fixação (6) e puxe a bateria para fora do receptáculo simultaneamente.

KC2002

- ◆ Para colocar a bateria (5), alinhe-a com o receptáculo na ferramenta. Deslize a bateria no receptáculo e empurre-a até que ela encaixe no lugar.
- ◆ Para removê-la, prima os dois botões de fixação (10) e puxe a bateria para fora do receptáculo simultaneamente.

Colocar e remover os dispositivos (fig. C)

Os diferentes dispositivos da ferramenta podem ser facilmente intercambiados.

- ◆ Trave a ferramenta colocando o selector de reversibilidade (2) na posição central.
- ◆ Para remover um dispositivo, pressione o botão de fixação de dispositivo (3) e retire o dispositivo da ferramenta.
- ◆ Para colocar um dispositivo, alinhe-o com a ferramenta como se mostra e empurre-o na ferramenta até que ele se encaixe com um estalo.

Colocar e remover uma broca ou ponta de aparafusar (fig. A & D)

O dispositivo de perfurar/aparafusar está adaptado com uma bucha sem chave para permitir uma fácil troca de brocas.

- ◆ Trave a ferramenta colocando o selector de reversibilidade (2) na posição central (fig. A).
- ◆ Abra o mandril girando a parte frontal (15) com uma mão enquanto segura a parte traseira (16) com a outra (fig. D).
- ◆ Introduza a broca (17) na bucha.
- ◆ Aperte firmemente o mandril girando a parte frontal (15) com uma mão enquanto segura a parte traseira (16) com a outra.

Esta ferramenta é fornecida com uma ponta de aparafusar no compartimento de broca (4) (fig. A).

- ◆ Para remover a ponta de aparafusar do compartimento de broca, puxe-a.
- ◆ Para guardar a ponta de aparafusar, empurre-a firmemente no compartimento.

Colocar e remover a lâmina de serra (fig. F & G)

- ◆ Trave a e ferramenta colocando o selector de reversibilidade (2) na posição central (fig. F).
- ◆ Para instalar uma lâmina de serra, levante a alavanca (18) e segure-a nesta posição (fig. G).
- ◆ Insira a lâmina de serra no suporte como mostrado. Assegure-se de que os dentes estejam a apontar para frente.
- ◆ Solte a alavanca.
- ◆ Para remover a lâmina de serra, levante a alavanca (18) e puxe a lâmina de serra do suporte.

Colocar e remover as folhas de lixa (fig. F & I)

O dispositivo de lixa utiliza folhas de lixa pré-cortadas.

- ◆ Trave a e ferramenta colocando o selector de reversibilidade (2) na posição central (fig. F).
- ◆ Antes de colocar uma folha nova, remova as duas pontas adicionais em forma de losango (20) (fig. I).
- ◆ Para colocar uma folha de lixar, alinhe-a com a base da lixadeira como mostrado.
- ◆ Pressione a folha firmemente e igualmente na base da lixadeira assegurando-se de que os orifícios na folha coincidam com os orifícios na base.

- ◆ Para remover a folha, puxe-a da almofada da lixa.

Aviso! Nunca utilize o dispositivo de lixar sem uma folha de lixar ou acessório no lugar.

Substituir as pontas de lixa em forma de losango (fig. F & J)

As folhas de lixa são fornecidas com duas pontas em forma de losango de substituição. A ponta em forma de losango pode ser revertida quando estiver gasta. Quando ambos os lados estiverem gastos, substitua a ponta em forma de losango.

- ◆ Trave a e ferramenta colocando o selector de reversibilidade (2) na posição central (fig. F).
- ◆ Para inverter a ponta, remova-a, gire-a em 180° e pressione-a de volta na base como mostrado (fig. J).
- ◆ Para substituir uma ponta, puxe a velha ponta da base e coloque uma nova pressionando-a na base.

Aviso! Quando estiver a remover uma ponta, tome cuidado para não puxar a almofada da base de lixar.

Utilização

Aviso! Deixe que a ferramenta funcione à vontade. Não a sobrecarregue.

Carregar a bateria (fig. A)

É necessário carregar a bateria antes da primeira utilização e sempre que falte potência durante tarefas que antes eram executadas facilmente. Uma bateria nova ou que não tenha sido utilizada por longo tempo atingirá a sua capacidade completa somente após 5 ciclos de carregamento/descarregamento. A bateria pode ficar quente enquanto estiver a carregar; isto é normal e não indica um problema. Após o uso normal, 60 minutos de carregamento serão suficientes para fornecer energia para a maioria das aplicações. Entretanto, um tempo de carregamento estendido até 90 minutos poderá aumentar significativamente o tempo de uso, em dependência do estado da bateria e das condições de carregamento.

Aviso! Não carregue às temperaturas ambientes inferiores a 4 °C ou superiores a 40°. aprox. 24 °C.

- ◆ Para carregar a bateria (5), retire-a da ferramenta e insira-a no carregador (12). A bateria só encaixará no carregador de um modo. Não force. Esteja seguro de que a bateria está completamente encaixada no carregador.
- ◆ Ligue o carregador à corrente eléctrica.
- ◆ Verifique se o indicador vermelho de carregamento (13) se acende. Se em vez disso o indicador verde de final de carregamento (14) se acender, a bateria está muito quente e não pode ser carregada.


Se isso acontecer, remova a bateria do carregador, deixe-a esfriar por aproximadamente 1 hora e insira-a de novo.

Depois de aproximadamente 1 hora de carregamento, o indicador vermelho de carga (13) se apagará e o indicador verde de final de carregamento (14) acenderá. A bateria estará então completamente carregada.

- ◆ Remova a bateria do carregador.

Ajuste do torque (fig. E)

Esta ferramenta está equipada com um anel de ajuste do torque para apertar parafusos.

- ◆ Para perfurar, ajuste o anel (7) à posição de perfuração alinhando o símbolo  com a marca (21).
- ◆ Para aparafusar, ajuste o anel à posição desejada. Se não souber qual é a posição apropriada, proceda da seguinte maneira:
 - ◆ Ajuste o anel (7) à posição 1.
 - ◆ Aperte o primeiro parafuso.
 - ◆ Se a bucha breca antes que o resultado seja conseguido, aumente o ajuste e continue a apertar o parafuso. Repita esta operação até atingir o ajuste correcto. Utilize este ajuste para o resto dos parafusos.

Seleção da direcção de rotação (fig. A)

Para perfurar, serrar, lixar ou apertar parafusos, utilize a rotação "avançar" (sentido dos ponteiros de um relógio). Para soltar parafusos ou remover uma broca presa, utilize a rotação "inverter" (sentido anti-horário).

- ◆ Para seleccionar a rotação para avançar, empurre o selector de reversibilidade (2) para a esquerda.
- ◆ Para seleccionar a rotação inversa, empurre o selector de reversibilidade para a direita.
- ◆ Para travar a ferramenta, coloque o selector de reversibilidade na posição central.

Perfurar/aparafusar (fig. A)

- ◆ Selecione rotação para avançar ou inverter utilizando o selector de reversibilidade (2).
- ◆ Para ligar a ferramenta, pressione o interruptor de ligar/desligar (1). A velocidade da ferramenta depende de quanto se pressiona o interruptor.
- ◆ Para desligar a ferramenta, solte o interruptor de ligar/desligar.

Ajuste do ângulo de corte (fig. F & H)

O calço da serra pode ser ajustado em ângulos de 0° (recto) e 45° (recto-bisel lateral).

- ◆ Trave a e ferramenta colocando o selector de reversibilidade (2) na posição central (fig. F).
- ◆ Solte o parafuso (19) até que o calço possa mover-se livremente (fig. H).

- ◆ Puxe ao calço da serra para frente e incline-o no ângulo requerido.
- ◆ Aperte o parafuso (19).

Serrar (fig. F)

- ◆ Selecione a rotação para avançar movendo o selector de reversibilidade (2) para a esquerda.
- ◆ Para ligar a ferramenta, mantenha o botão de travamento (9) pressionado e pressione o interruptor de variação de velocidade (1). A velocidade da ferramenta depende de quanto se pressiona o interruptor.
- ◆ Solte o botão de travamento (9).
- ◆ Para desligar a ferramenta, solte o interruptor de ligar/desligar.

Lixar (fig. A)

- ◆ Selecione a rotação para avançar movendo o selector de reversibilidade (2) para a esquerda.
- ◆ Para ligar a ferramenta, pressione o interruptor de ligar/desligar (1). A velocidade da ferramenta depende de quanto se pressiona o interruptor.
- ◆ Para desligar a ferramenta, solte o interruptor de ligar/desligar.

Sugestões para uma melhor utilização

Perfuração

- ◆ Aplique sempre uma leve pressão em linha recta com a broca.
- ◆ Um pouco antes que a broca atravesse a peça de trabalho, diminua a pressão sobre a ferramenta.
- ◆ Utilize um bloco de madeira como suporte para peças de trabalho que possam lascar.
- ◆ Utilize brocas talhadeiras quando perfurar orifícios de grande diâmetro em madeira.
- ◆ Utilize brocas de alta dureza quando perfurar em metal.
- ◆ Utilize brocas de pedra quando perfurar em alvenaria.
- ◆ Utilize um lubrificante quando perfurar em metais que não sejam ferro fundido e latão.
- ◆ Faça um entalho no centro do orifício utilizando um furador de centro para melhorar a precisão.

Aparafusamento

- ◆ Utilize sempre o tipo e tamanho correcto de ponta de aparafusar.
- ◆ Se os parafusos estão difíceis de apertar, tente aplicar uma pequena quantidade de detergente ou sabão como lubrificante.
- ◆ Segure sempre a ferramenta e a ponta de aparafusar em linha recta com o parafuso.

Serrar

- ◆ Utilize sempre o tipo de lâmina de serra apropriado para o material da peça de trabalho e para o tipo de corte.
- ◆ Se necessário, faça um furo próximo ao ponto de início do corte.

Quando estiver a serrar peças de trabalho de madeira, não é necessário fazer um furo piloto:

- ◆ Marque o ponto de início desejado.
- ◆ Incline a ferramenta para frente e coloque a extremidade redonda frontal do calço da serra sobre a peça de trabalho.
- ◆ Ligue a ferramenta e empurre suavemente a lâmina da serra na peça de trabalho no ponto de início desejado.

Quando estiver a cortar folha de metal :

- ◆ Prenda um pedaço de madeira compensada ou madeira suave atrás da peça de trabalho e serre através do todo para obter um corte bem definido.
- ◆ Não force a lâmina de serra na peça de trabalho. Observe que cortar uma folha de metal normalmente demorará mais do que cortar peças mais grossas de madeira.
- ◆ Espalhe uma fina camada de óleo ao longo da linha de corte antes de serrar.
- ◆ Para cortar, desligue a ferramenta e mova-a para baixo até que a lâmina de serra esteja exactamente sobre o ponto de entrada. Abaixar a traseira do calço em direcção à peça de trabalho, mantendo uma firme pressão pivotante sobre o calço da serra. Com o calço horizontalmente sobre a peça de trabalho, empurre a lâmina na peça de trabalho.

Quando estiver a cortar laminados:

- ◆ Corte laminados finos com a superfície traseira para cima, uma vez que a superfície que está contra o calço da serra geralmente lasca.
- ◆ Para cortes limpos, prenda um pedaço de madeira em ambos os lados do laminado e corte através do "sanduíche" formado.

Lixar

- ◆ Não exerça demasiada pressão na ferramenta.
- ◆ Verifique regularmente o estado de conservação da folha de lixa. Substitua-a quando necessário.
- ◆ Quando estiver a lixar novas camadas de pintura antes de aplicar outra camada, utilize granulação extrafina.
- ◆ Em superfícies muito irregulares, ou quando estiver a remover camadas de pintura, comece com uma granulação grossa. Em outras superfícies, comece com uma granulação média. Em ambos os casos, troque gradualmente para uma granulação fina para um acabamento liso.
- ◆ Consulte o seu revendedor para obter mais informação sobre acessórios disponíveis para lixar, polir, descascar e raspar.

Manutenção

Esta ferramenta Black & Decker foi desenvolvida para funcionar por um longo período, com um mínimo de manutenção. O funcionamento contínuo e satisfatório depende da limpeza regular e cuidado adequado da ferramenta. O seu carregador não requer qualquer manutenção além de sua limpeza regular.

Aviso! Antes de executar qualquer manutenção na ferramenta, remova a bateria da ferramenta. Desligue o carregador de bateria antes de limpar o aparelho.

- ◆ Limpe regularmente as fendas de ventilação na ferramenta e no carregador utilizando uma escova macia ou pano seco.
- ◆ Limpe regularmente o compartimento do motor utilizando um pano húmido. Não utilize nenhum limpador abrasivo ou de base solvente.
- ◆ Abra regularmente o mandril e bata nele para remover qualquer poeira do interior.
- ◆ Aplique regularmente uma gota de óleo de máquina leve no rolo guia (22) do dispositivo de serrar (fig. L).

Protecção do meio ambiente

Ferramentas



A Black & Decker oferece facilidades para a reciclagem de produtos Black & Decker e baterias recarregáveis uma vez que os mesmos tenham alcançado o final de suas vidas úteis. Este serviço é fornecido sem encargos. Para utilizá-lo, devolva seu produto a qualquer agente de reparo autorizado, que se encarregará de recolher o equipamento em nosso nome.

Baterias



As baterias Black & Decker podem ser recarregadas muitas vezes. No final de sua vida técnicaAs baterias Black & Decker podem ser recarregadas muitas vezes. No final de sua vida útil, deite fora a bateria sempre tendo em mente o cuidado com o meio ambiente:

- ◆ Deixe que a bateria se descarregue completamente e depois remova-a da ferramenta.
- ◆ As baterias NiCd e NiMH são recicláveis. Leve-as ao seu agente de reparação autorizado ou a uma estação local de reciclagem.

Para verificar a localização do agente de reparo mais próximo de si contacte o escritório local da Black & Decker no endereço indicado neste manual. Se preferir, consulte a lista de agentes autorizados da Black & Decker e os dados completos de nossos serviços de atendimento pós-venda na Internet no endereço: www.2helpU.com.

Dados técnicos

	KC2000	KC2002
Voltagem	V _{DC} 12	14,4
Cat. no. bateria	A9275	\$
Berbequim/aparafusadora:		
Velocidade sem carga	min ⁻¹ 0 - 700	0 - \$
Par máx.	Nm 6,2	\$
Capacidade da bucha	mm 10	10
Capacidade máx. de perfuração em aço/madeira	mm 10/25	10/25
Serra:		
Velocidade sem carga	min ⁻¹ 0 - 3.000	0 - 3.000
Máx. profundidade de corte em madeira	mm 38	38
Ângulos de serrar	0°, 45°	0°, 45°
Lixadeira:		
Oscilações (sem carga)	min ⁻¹ 0 - 8.000	0 - 8.000

Bateria	A9275	\$
Voltagem	V _{DC} 12	14,4
Capacidade	Ah 1,5	\$

Carregador	
Voltagem	V _{AC} 230
Tempo aproximado de carregamento	h 1

Declaração de conformidade

A Black & Decker declara que estas ferramentas foram concebidas em conformidade com:

EN 50260, EN 55014-1, EN 55014-2, EN 61000-3-2, EN 61000-3-3, EN 60335

L_{pA} (pressão sonora): 82 dB(A), L_{WA} (potência sonora) 95 dB(A), vibração 5.3 m/s²

Colin Wills
Engenheiro Responsável
BDCI, 4/F, 2 Dai Wang Street
Tai Po Industrial Estate
Tai Po NT, Hong Kong

Garantia

A Black & Decker confia na qualidade de seus produtos e oferece um programa de garantia excelente. Esta declaração de garantia soma-se aos seus direitos legais e não os prejudica em nenhum aspecto. A garantia será válida nos territórios dos Estados Membros da União Europeia e na Área de Livre Comércio da Europa.

Caso algum produto da Black & Decker apresente avarias devido a defeitos de material, mão-de-obra ou ausência de conformidade no prazo de 24 meses a partir da data de compra, a Black & Decker garantirá a substituição das peças defeituosas, a reparação dos produtos que foram submetidos a uso adequado e remoção ou substituição dos mesmos para assegurar o mínimo de inconvenientes ao cliente a menos que:

- ◆ O produto tenha sido utilizado para fins comerciais, profissionais ou aluguer;
- ◆ O produto tenha sido submetido a uso incorrecto ou descuido;
- ◆ O produto tenha sofrido danos causados por objectos estranhos, substâncias ou acidentes;
- ◆ Tenha um histórico de reparações efectuadas por terceiros que não sejam os agentes autorizados ou profissionais de manutenção da Black & Decker.

Para activar a garantia, será necessário enviar a prova de compra ao revendedor ou agente de reparação autorizado. Para verificar a localização do agente de reparação mais próximo de si contacte o escritório local da Black & Decker no endereço indicado neste manual. Se preferir, consulte a lista de agentes autorizados da Black & Decker e os dados completos de nossos serviços de atendimento pós-venda na Internet no endereço: **www.2helpU.com**.

Användningsområde

Ditt Black & Decker multiverktyg är konstruerat för att användas till många olika gör-det-själv-arbeten.

Med borrh- och skruvhuvudet kan du utföra skruvdragning och borra i trä, metall, plastmaterial och betong.

Med såghuvudet kan du såga trä, metall och plastmaterial.

Med sliphuvudet kan du slipa trä, metall, plastmaterial och målade ytor.

Verktyget är endast avsett som konsumentverktyg.

Din Black & Decker batteriladdare är avsedd för laddning av Black & Decker-batterier av den typ som medföljer verktyget.

Säkerhetsinstruktioner

- ◆ **Varning!** När man använder uppladdningsbara verktyg är det viktigt att man bl.a. följer nedanstående säkerhetsanvisningar för att minska risken för brand, batteriläckage, personskador och materialskador.
- ◆ Läs bruksanvisningen noggrant innan du använder verktyget.
- ◆ Spara bruksanvisningen lättillgängligt.

Håll arbetsområdet i ordning

Nedskräpade ytor och arbetsbänkar inbjuder till skador.

Tänk på arbetsmiljöns inverkan

Utsätt inte verktyget för regn. Använd inte verktyget på fuktiga eller våta platser. Ha bra belysning över arbetsytan.

Använd inte verktyget där det finns risk för eldsvåda eller explosion, t.ex. i närheten av lättantändliga vätskor eller gaser.

Utom räckhåll för barn

Tillåt inte barn, besökande eller djur att komma i närheten av arbetsplatsen eller att röra vid verktyget.

Klä dig rätt

Bär inte löst hängande kläder eller smycken. De kan fastna i rörliga delar. Gummihandskar och halkfria skor rekommenderas vid utomhusarbeten. Använd hårnät om du har långt hår.

Skyddskläder

Använd alltid skyddsglasögon. Använd ansiktsmask om arbetet förorsakar damm eller partiklar i luften. Använd hörselskydd om du besväras av ljudnivån.

Sträck dig inte för mycket

Se till att du alltid har säkert fotfäste och balans.

Var uppmärksam

Titta på det du gör. Använd sunt förnuft. Använd inte verktyget när du är trött.

Sätt fast arbetsstycket

Använd skruvtingar eller ett skruvstycke för att hålla fast arbetsstycket. Det är säkrare än att använda handen och du får bägge händerna fria för arbetet.

Anslut dammsugningsutrustning

Om möjligheter finns för anslutning av utrustning för dammsugning och dammuppsamling ska sådan utrustning anslutas och användas på korrekt sätt. OBS! Använd endast grovsugare.

Tag bort nycklar

Kontrollera att nycklar och justerverktyg har tagits bort från verktyget innan det startas.

Använd rätt verktyg

Använd inte verktyg för ändamål de inte är avsedda för.

Tvinga inte verktyget att göra arbeten som är avsedda för kraftigare verktyg. Överbelasta inte verktyget.

Varning! Använd endast tillbehör och tillsatser som är rekommenderade i bruksanvisningen och katalogerna.

Användning av annat verktyg eller tillbehör kan innebära risk för personskada.

Kontrollera verktyget för skador

Kontrollera verktyget för skador innan du använder det.

Kontrollera att de rörliga delarna inte har fastnat eller är felmonterade. Kontrollera även att övriga delar och skydd inte är skadade och att det inte föreligger några andra fel som kan påverka verktygets funktion. Kontrollera att verktyget fungerar riktigt och kan utföra de avsedda funktionerna. Använd inte verktyget om fel uppstått på någon av dess delar. Använd inte verktyget om det inte kan kopplas till och från med strömbrytaren.

Om fel uppstår skall delarna repareras eller bytas ut av en auktoriserad Black & Decker serviceverkstad. Försök aldrig reparera verktyget själv.

Tag ur batteriet

Tag ur batteriet när verktyget inte används samt före byte av någon del av verktyget, tillbehör eller tillsats och innan serviceåtgärder utförs.

Undvik oavsiktlig start

Bär aldrig verktyget med ett finger på strömbrytaren. Se till att verktyget är avstängt när du sätter i batteriet i verktyget.

Misshandla inte sladden

Bär aldrig laddaren i sladden och använd inte sladden för att dra ut kontakten. Utsätt inte sladden för värmekällor, olja eller skarpa kanter.

Förvara verktyg säkert

När verktyget inte används skall det samt batterierna och laddare förvaras på en torr plats utom räckhåll för barn.

Sköt verktyget med omsorg

Håll verktyget rent och använd skarpa tillbehör för bättre prestanda och säkrare drift. Följ instruktionerna beträffande skötsel och byte av tillbehör. Håll handtagen och strömbrytare torra, rena och fria från olja och fett.

Reparationer

Detta verktyg uppfyller gällande säkerhetskrav.

Reparationer ska utföras av en auktoriserad Black & Decker serviceverkstad som använder originaldelar, annars kan användaren utsättas för stor fara.

Extra säkerhetsföreskrifter för batterier och laddare

Batterier

- ◆ Försök aldrig öppna batteriet.
- ◆ Utsätt inte batteriet för vatten.
- ◆ Förvara inte batteriet i utrymmen där temperaturen kan överstiga 40 °C.
- ◆ Ladda endast inom temperaturområdet 4 °C till 40 °C.
- ◆ Ladda endast med laddaren som medföljer (se tekniska data).
- ◆ Kontrollera före laddningen att batteriet är torrt och rent.
- ◆ Använd endast batterier avsedda för verktyget (se tekniska data).
- ◆ När batterierna kasseras skall instruktionerna i kapitlet "Miljö" följas.
- ◆ Under extrema förhållanden kan batteriläckage uppstå. Om du upptäcker vätska från batteriet skall följande iakttagas:
 - Torka försiktigt bort vätskan med en trasa. Undvik kontakt med huden.
 - Vid kontakt med huden eller ögonen skall instruktionerna nedan följas.

Varning! Batterivätskan, en 25-30% lösning av kaliumhydroxid, kan vara skadlig. Vid kontakt med huden, spola omedelbart med vatten. Neutralisera med en svag syra, t ex citronjuice eller ättika. Vid kontakt med ögonen, skölj rikligt med vatten i minst 10 minuter. Kontakta läkare.



Brandfara! Undvik att kontakterna på ett fränkopplat batteri kortsluts av metall (t ex vid förvaring av batteriet i en verktygslåda).



Batteriet får ej eldas upp.



Använd aldrig ett skadat batteri.

Laddare

- ◆ Använd Black & Decker-laddaren endast tillsammans med det batteri som medföljer verktyget. Andra typer av batterier kan explodera och förorsaka person- och materialskador.
- ◆ Försök aldrig ladda icke uppladdningsbara batterier.
- ◆ Byt genast ut skadade sladdar.
- ◆ Utsätt inte laddaren för vatten.
- ◆ Öppna inte laddaren.
- ◆ Gör ingen åverkan på laddaren.



Endast avsedd för inomhusbruk.

Extra säkerhetsföreskrifter för bormaskin/skruvdragare

- ◆ Kontrollera var de elektriska ledningarna och rörledningarna är installerade innan du borrar i väggar, golv och tak.
- ◆ Rör inte borrarpeten omedelbart efter det att borret har stannat eftersom det kan vara varmt.

Extra säkerhetsföreskrifter för sticksågar

- ◆ Använd alltid rätt typ av sågblad. Det skall vara anpassat till arbetsmaterial och snittypp.
- ◆ Använd endast sågblad i perfekt kondition.
- ◆ När du stänger av maskinen skall du vänta tills sågbladet har stannat helt innan du lägger ifrån dig verktyget.
- ◆ Håll händerna på avstånd från sågbladet när maskinen är i drift.
- ◆ Använd skruvtving eller skruvstycke för fastspänning av arbetsstycket när detta är möjligt.

Extra säkerhetsföreskrifter för slipmaskiner

- ◆ Använd helst ansiktsmask när du utför sliparbeten.
- ◆ Var noga med att ta bort allt slipdamm när slipningen har avslutats.
- ◆ Var speciellt försiktig när du slipar bort färg som eventuellt innehåller bly eller vid slipning av trä- och metallmaterial som kan avge giftigt slipdamm.
 - Använd en specialkonstruerad ansiktsmask som skyddar mot damm från blyhaltiga färger och ångor, samt se till att personer som vistas på, eller kommer i närheten av, arbetsplatsen också är skyddade.
 - Låt aldrig barn eller gravida kvinnor vistas på arbetsplatsen.
 - Ät, drick eller rök inte på arbetsplatsen.
 - Släng damm och annat avfall på miljösäker plats.

Elektrisk säkerhet

Kontrollera att laddarens spänning överensstämmer med nätspänningen.



Laddaren är dubbelisolerad motsvarande EN 60335; jordledare är således överflödigt.

ÖVERSIKT (fig. A)

Motorenhet

1. Steglös strömbrytare
2. Reglage höger- vänstergång
3. Huvudets frikopplingsknapp
4. Bitshållare
5. Batteri
6. Batteri-frikopplingsknappar

Borr- och skruvhuvud

7. Krage för inställning av vridmomentet
8. Chuck

Såghuvud

9. Låsknapp
10. Sågsko

Sliphuvud

11. Slipplatta

Laddare

12. Laddare
13. Laddningsindikator - laddning pågår
14. Laddningsindikator - full laddning

Montering

Varning! Avlägsna alltid batteriet innan montering.

Montering och borttagning av batteri (fig. B)**KC2000**

- ◆ Vid montering riktas batteriet (5) in mot hållaren på verktyget. Skjut sedan in batteriet i hållaren tills det snäpper fast på plats.
- ◆ Tag bort batteriet genom att hålla de två frikopplingsknapparna (6) intryckta samtidigt som du drar ut batteriet.

KC2002

- ◆ Vid montering riktas batteriet (5) in mot hållaren på verktyget. Skjut sedan in batteriet i hållaren tills det snäpper fast på plats.
- ◆ Vid borttagning av batteriet trycker du på frikopplingsknappen (10) och drar ut det ur hållaren.

Montering och borttagning av ett verktygshuvud (fig. C)

De olika verktygshuvudena är lätta att byta.

- ◆ Lås verktyget genom att ställa reglaget (2) i mittläge.
- ◆ Tryck in huvudets frikopplingsknapp (3) och tag bort huvudet från verktyget.
- ◆ Montera ett nytt verktygshuvud genom att hålla det enligt bilden och skjuta in det i verktyget tills det sitter ordentligt på plats.

Montering och borttagning av borrar och mejslar (fig. A & D)

Lätt att byta tillbehör tack vare snabbchucken.

- ◆ Lås verktyget genom att ställa reglaget (2) i mittläget (fig. A).
- ◆ Öppna chucken genom att vrida främre delen (15) med en hand samtidigt som den bakre delen (16) hålls på plats med den andra (fig. D)
- ◆ Sätt i tillbehöret (17) i chucken.

- ◆ Drag åt chucken stadigt genom att vrida den främre delen (15) med en hand medan du håller fast den bakre delen (16) med den andra handen.

Verktygets bitshållare är utrustad med ett dubbelsidigt skruvbit (4) (fig. A).

- ◆ För att ta ut bitset, drar du ut det ur hållaren.
- ◆ För förvaring trycker du fast bitset i hållaren.

Montering och borttagning av sågbladen (fig. F & G)

- ◆ Lås verktyget genom att ställa reglaget (2) i mittläge (fig. F).
- ◆ Montera sågbladet genom att lyfta spaken (18) och hålla den i detta läge (fig. G).
- ◆ Sätt in sågbladet i hållaren enligt bilden. Se till att tänderna är riktade framåt.
- ◆ Släpp spaken.
- ◆ Tag bort sågbladet genom att lyfta spaken (18) och dra ut bladet ur hållaren.

Montering och borttagning av slippapper (fig. F & I)

Använd färdigskurna slippapper till sliphuvudet.

- ◆ Lås verktyget genom att ställa reglaget (2) i mittläge (fig. F).
- ◆ Tag bort de två extra slippetsarna (20) innan ett nytt papper monteras (fig. I).
- ◆ Montera slippappret genom att hålla det riktat mot slipplattan enligt bilden.
- ◆ Tryck fast slippappret noggrant och jämnt på slipplattan och se till att hålen i pappret stämmer överens med hålen i plattan.
- ◆ Tag bort slippappret genom att dra loss det från plattan.

Varning! Använd aldrig sliphuvudet om inte ett slippapper eller annat tillbehör är monterat.

Byte av slippetsen (fig. F & J)

Slippappren är utrustade med två reservpetsar. Slippetsen kan vändas när den är utsliten på en sida. När båda sidor är utslitna byts spetsen mot en ny.

- ◆ Lås verktyget genom att ställa reglaget (2) i mittläge (fig. F).
- ◆ För att vända spetsen tas den bort och vrids 180° samt trycks därefter tillbaka på plattan enligt bilden (fig. J).
- ◆ Spetsen byts ut genom att dra loss den gamla spetsen från plattan och trycka fast en ny.

Varning! Var försiktig så att du inte drar loss underlaget från slipplattan när du tar bort slippetsen.

Användning

Varning! Låt maskinen arbeta i sin egen takt. Överbelasta inte maskinen.

Laddning av batteriet (fig. A)

Batteriet måste laddas innan det används första gången och alltid när verktyget inte längre fungerar effektivt. Ett nytt batteri, eller ett batteri som bara har använts någon kortare tid, uppnår full kapacitet först efter ca. 5 upp- och urladdningar. Batteriet kan bli varmt under laddningen; detta är en normal företeelse och indikerar inte något fel. Efter normal användning, brukar en laddningstid på 60 minuter vara tillräcklig för att ge de flesta apparater tillräckligt med ström. Ändå kan en längre laddningstid, upp till 90 minuter, öka användningstiden avsevärt, beroende på batteriet och laddningsförhållandena.

Varning! Ladda inte batteriet om lufttemperaturen är lägre än 4 °C eller högre än 40 °C. Rekommenderad temperatur vid laddning: cirka 24 °C.


- ◆ När batteriet (5) ska laddas tas det ur verktyget och placeras i laddaren (12). Det finns bara ett sätt att sätta batteriet i laddaren. Bruka inte våld. Kontrollera att batteriet sitter ordentligt i laddaren.
- ◆ Sätt i laddaren i vägguttaget.
- ◆ Kontrollera att den röda laddningsindikatorn (13) tänds. Om den gröna laddningsindikatorn (14) lyser istället betyder det att batteriet är för varmt och inte kan laddas. Om detta händer skall batteriet tas ut ur laddaren och svalna under cirka 1 timme, varefter det placeras i laddaren igen.

Efter cirka 1 timmes laddning släcks den röda laddningsindikatorn (13) och den gröna laddningsindikatorn (14) tänds. Batteriet är nu fulladdat.

- ◆ Tag ut batteriet ur laddaren.

Val av vridmoment- eller borrläge (fig. E)

Verktyget är försett med en kragen för inställning av vridmomentet vid skruvdragning.

- ◆ För borring vrider du kragen (7) till borrläget genom att låta märket (21) sammanfalla med borrsymbolen .
- ◆ För skruvdragning ställer du in kragen i önskat läge. Om du inte är säker på rätt inställning, ska du följa nedanstående instruktioner:
 - ◆ Ställ kragen (7) i läge 1.
 - ◆ Dra åt den första skruven.
 - ◆ Om kopplingen frigörs innan rätt resultat uppnås skall vridmomentet ökas. Fortsätt därefter att skruva. Repetera tills rätt inställning erhålles. Använd denna inställning för de återstående skruvarna.

Höger-/vänstergång (fig. A)

För borring, sågning, slipning och åtdragning av skruvar används rotation framåt (medsols). För att lossa skruvar eller ta loss ett borr som har fastnat används rotation bakåt (motsols).

- ◆ Välj rotation framåt genom att föra reglaget (2) till vänster.
- ◆ Välj rotation bakåt genom att föra reglaget (2) till höger.
- ◆ Lås verktyget genom att ställa reglaget i mittläget.

Borring och skruvdragning (fig. A)

- ◆ Välj rotation framåt eller bakåt med reglaget (2).
- ◆ Starta verktyget genom att trycka på strömbrytaren (1). Verktygets hastighet beror på hur långt strömbrytaren trycks in.
- ◆ Stäng av verktyget genom att släppa strömbrytaren.

Inställning av sågvinkeln (fig. F & H)

Sågskon kan ställas in på 0° (rak) och 45° (höger gering).

- ◆ Lås verktyget genom att ställa reglaget (2) i mittläge (fig. F).
- ◆ Lossa skruven (19) så mycket att sågskon kan röra sig fritt (fig. H)
- ◆ Drag sågskon framåt och luta den i önskad vinkel.
- ◆ Drag åt skruven (19).

Sågning (fig. F)

- ◆ Välj rotation framåt genom att föra reglaget (2) till vänster.
- ◆ Starta verktyget genom att hålla låsknappen (9) nedtryckt och trycka på den steglösa strömbrytaren (1). Verktygets hastighet beror på hur långt strömbrytaren trycks in.
- ◆ Släpp låsknappen (9).
- ◆ Stäng av verktyget genom att släppa strömbrytaren.

Slipning (fig. A)

- ◆ Välj rotation framåt genom att föra reglaget (2) till vänster.
- ◆ Starta verktyget genom att trycka på strömbrytaren (1). Verktygets hastighet beror på hur långt strömbrytaren trycks in.
- ◆ Stäng av verktyget genom att släppa strömbrytaren.

Råd för bästa resultat

Borring

- ◆ Borret skall tryckas lätt och rakt ner mot arbetsstycket.
- ◆ Alldeles innan borret kommer ut på andra sidan av arbetsstycket skall trycket på verktyget lättas.
- ◆ Använd en träbit under arbetsstycket för att undvika splittring.
- ◆ Använd ett flatborr/spiralborr när du skall borra hål med stor diameter i trä.
- ◆ Använd HSS-borr vid borring i metall.
- ◆ Använd betongborr vid borring i murverk.
- ◆ Använd smörjmedel vid borring i metaller, förutom gjutjärn och mässing.
- ◆ För bättre precision bör du slå ett kärnslag i mitten av hålet som skall borraras.

Skruvdragning

- ◆ Använd alltid rätt typ och storlek på bitset.
- ◆ Om det är svårt att dra åt skruven kan lite flytande tvättmedel eller tvål anbringas som smörjmedel.
- ◆ Håll alltid verktyget och bitset i rak linje med skruven.

Sågning

- ◆ Använd alltid ett sågblad som passar arbetsstyckets material samt snittyp.
- ◆ Vid behov kan ett hål borras nära sågningens startpunkt.

Vid sågning i arbetsstycken av trä behöver man inte borra ett starthål.

- ◆ Markera önskad utgångspunkt.
- ◆ Luta verktyget framåt och placera sågskons rundade främre kant på arbetsstycket.
- ◆ Starta verktyget och mata långsamt sågbladet in i arbetsstycket vid önskad utgångspunkt.

Sågning i plåt:

- ◆ Spänn fast ett stycke plywood eller en mjuk träbit på arbetsstyckets baksida och såga igenom. På detta sätt uppnås ett rent snitt.
- ◆ Tvinga inte sågbladet in i arbetsstycket. Observera att sågning av plåt vanligtvis tar längre tid än att såga tjockare arbetsstycken av trä.
- ◆ Applicera ett tunt lager olja längs snittlinjen innan sågningen startar.
- ◆ Starta sågningen genom att sätta igång verktyget och för det nedåt tills sågbladet befinner sig exakt över startpunkten. Sänk ner sågskon mot arbetsstycket. Starta sågningen när sågskons främre del vilar på arbetsstycket.

Sågning i laminat:

- ◆ Såga tunna laminat från undersidan eftersom det är risk för att materialet splittras på den sida som ligger mot sågskon.
- ◆ Renare snitt uppnås om en bit plywood eller en hård träfiberskiva spänns fast på båda sidor om laminatet och sågningen sker tvärs igenom dessa tre lager.

Slipning

- ◆ Tryck inte för hårt på verktyget.
- ◆ Kontrollera slippappret regelbundet. Byt slippapper vid behov.
- ◆ Använd extra finkornigt slippapper mellan strykningarna av nymålade ytor.
- ◆ På mycket ojämna ytor eller vid borttagning av flera färglager skall ett grovkornigt slippapper användas i början. På andra ytor startas slipningen med medelgrovt slippapper. I båda fallen bör efter hand ett finkornigare slippapper användas för att uppnå en jämn och slät yta.

- ◆ Kontakta din återförsäljare för vidare information om extra tillbehör för slipning, polering och borstning.

Skötsel

Ditt Black & Decker verktyg har tillverkats för att fungera under lång tid med ett minimum av underhåll. Med rätt underhåll och regelbunden rengöring behåller verktyget sina prestanda. Laddaren behöver inget underhåll förutom regelbunden rengöring.

Varning! Tag bort batteriet innan underhåll utförs på verktyget. Tag ur laddarkontakten före rengöring.

- ◆ Rengör ventilationsöppningarna på verktyget och laddaren regelbundet med en mjuk borste eller torr trasa.
- ◆ Rengör kåpan regelbundet med en fuktig trasa. Använd aldrig rengöringsmedel med lösnings- eller slipmedel i.
- ◆ Öppna chucken regelbundet och knacka på den för att avlägsna eventuellt damm som hamnat inuti den.
- ◆ Applicera regelbundet en droppe olja på såghuvudets styrrulle (22) (fig. K)

Miljö

Verktyg



När ditt verktyg är utslitet, skydda naturen genom att inte slänga det tillsammans med vanligt avfall. Lämna det till de uppsamlingsställen som finns i din kommun eller där du köpt verktyget.

Batterier



Black & Decker batterierna kan laddas många gånger. Skydda miljön genom att lämna kasserade batterier till därför avsedd uppsamlingsplats.

- ◆ Ladda ur batteriet helt och tag sedan bort det från verktyget.
- ◆ NiCd och NiMH batterier är återvinningsbara. Lämna dem till inköpsstället eller den lokala återvinningsstationen. Återlämnade batterier återvinns eller sänds till särskilda behandlingsanläggningar.

Tekniska data

	KC2000	KC2002
Spänning	V _{DC} 12	14,4
Kat. nr. batteri	A9275	\$
Borrskruvdragare:		
Obelastad hastighet	min ⁻¹ 0 - 700	0 - \$
Maximalt vridmoment	Nm 6,2	\$
Chuck-kapacitet	mm. 10	10
Maximal borrkapacitet för stål/trä	mm. 10/25	10/25

Sticksåg:			
Obelastad hastighet	min ⁻¹	0 - 3.000	0 - 3.000
Maxsnittdjup i trä	mm.	38	38
Sågvinklar		0°, 45°	0°, 45°
Slipmaskin:			
Excentersvängningar (obelastad)	min ⁻¹	0 - 8.000	0 - 8.000

Batteri	A9275	\$
Spänning	V _{DC} 12	14,4
Kapacitet	Ah 1,5	\$

Laddare		
Spänning	V _{AC} 230	
Laddningstid cirka	tim 1	

CE-försäkring om överensstämmelse

Black & Decker förklarar att dessa verktyg är konstruerade i överensstämmelse med:

EN 50260, EN 55014-1, EN 55014-2, EN 61000-3-2, EN 61000-3-3, EN 60335

L_{PA} (Ijudtryck): 82 dB(A), L_{WA} (Ijudeffekt) 95 dB(A), vägd geometrisk medelvärde av vibrationsfrekvensen 5.3 m/s²



Colin Wills
Director of Engineering
BDCI, 4/F, 2 Dai Wang Street
Tai Po Industrial Estate
Tai Po NT, Hong Kong

Reservdelar / reparationer

Reservdelar finns att köpa hos auktoriserade Black & Decker verkstäder, som även ger kostnadsförslag och reparerar våra produkter.

Förteckning över våra auktoriserade verkstäder finns på Internet, vår hemsida www.blackdecker.se samt www.2helpU.com.

Garanti

Black & Decker garanterar att produkten är fri från material- och/eller fabrikationsfel vid leverans till kund. Garantin är i tillägg till konsumentens lagliga rättigheter och påverkar inte dessa. Garantin gäller inom medlemsstaterna i Europeiska Unionen och i det Europeiska Frihandelsområdet.

Om en Black & Decker produkt går sönder på grund av material- och/eller fabrikationsfel eller brister i överensstämmelse med specifikationen, inom 24 månader från köpet, åtar sig Black & Decker att reparera eller byta ut produkten med minsta besvär för kunden.

Garantin gäller inte för fel som beror på:

- ◆ normalt slitage
- ◆ felaktig användning eller skötsel
- ◆ att produkten skadats av främmande föremål, ämnen eller genom olyckshändelse

Garantin gäller inte om reparation har utförts av någon annan än en auktoriserad Black & Decker verkstad.

För att utnyttja garantin skall produkten och inköpskvittot lämnas till återförsäljaren eller till en auktoriserad verkstad senast 2 månader efter det att felet har upptäckts. För information om närmaste auktoriserad verkstad; kontakta det lokala Black & Decker kontoret på den adress som är angiven i bruksanvisningen. En lista på alla auktoriserade verkstäder samt servicevillkor finns även tillgängligt på Internet, adress: www.2helpU.com.

Bruksområder

Ditt Black & Decker multiverktøy er konstruert for å brukes til mange ulike gjør-det-selv oppgaver.

Ved bruk av bore- og skrutilsatsen, er dette verktøyet beregnet på ulike skrufunksjoner, samt på boring i tre, metall, plast og betong.

Ved bruk av sagetilsatsen, er dette verktøyet beregnet på saging av tre, metall og plast.

Ved bruk av slipetilsatsen, er dette verktøyet beregnet på sliping av tre, metall, plast og malte overflater.

Verktøyet er tiltenkt kun som konsumentverktøy.

Din Black & Decker lader er konstruert for å lade Black & Decker batterier av den typen som leveres med verktøyet.

Sikkerhetsinstruksjoner

- ◆ **Advarsel!** Når du bruker oppladbare verktøy, må du følge en del grunnleggende sikkerhetsregler, se nedenfor, for å redusere faren for brann, batterilekkasjer, personskade og materialskade.
- ◆ Ta deg tid til å lese nøye gjennom bruksanvisningen før du begynner å bruke verktøyet.
- ◆ Oppbevar bruksanvisningen på et lett tilgjengelig sted.

Hold arbeidsområdet rent og ryddig

En uryddig arbeidsplass innbyr til skader.

Tenk på arbeidsmiljøets innvirkning

Utsett ikke verktøyet for regn. Bruk ikke verktøyet under våte eller fuktige forhold. Pass på at arbeidsområdet er godt opplyst. Bruk ikke verktøyet hvor det er fare for forårsaking av brann eller en eksplosjon, f. eks. i nærheten av brannfarlige væsker eller gasser.

Hold barn unna

Barn, besøkende eller dyr må ikke komme i nærheten av arbeidsområdet eller i kontakt med verktøyet.

Kle deg riktig

Ha ikke på deg løstsittende klær eller smykker. De kan sette seg fast i de bevegelige delene. Vi anbefaler gummihandsker og sko som ikke glir når du arbeider utendørs. Bruk hårnett hvis du har langt hår.

Personlig vern

Bruk vernebriller. Bruk en ansikts- eller støvmaske når operasjonene kan forårsake støv eller flyvende partikler. Bruk ørevern når støynivået virker ukomfortabelt.

Strekk deg ikke for langt

Pass på at du alltid har sikkert fotfeste og balanse.

Vær oppmerksom

Se på det du gjør. Bruk sunn fornuft. Bruk ikke maskinen når du er trett.

Sikre arbeidsstykket

Bruk tvinger eller skrustikker til å feste arbeidsstykket med. Dette er sikrere enn å bruke hånden, og du får begge hendene fri til å styre verktøyet.

Kople til støvutsugsutstyr

Hvis det følger med utstyr for tilkoping av støvutsug og støvoppsamling, må du sørge for at dette koples til og brukes riktig. Bruk kun industristøvsuger.

Fjern nøkler

Gjør det til vane å sjekke om nøkler og justeringsverktøy er fjernet før verktøyet startes.

Bruk riktig verktøy

Bruk ikke verktøyet til formål det ikke er ment for. Tving ikke en maskin til å gjøre arbeid som krever kraftigere verktøy. Overbelast ikke verktøyet.

Advarsel! Bruk bare tilbehør og utstyr som anbefales i bruksanvisningen og i katalogene. Bruk av annet verktøy eller tilbehør kan medføre en mulig risiko for personskade.

Sjekk verktøyet for skader

Kontroller verktøyet nøye for skade før bruk. Kontroller at de bevegelige delene ikke har satt seg fast eller er feilmontert. Kontroller også at de øvrige delene og beskyttelsene ikke er skadet og at det ikke foreligger noen andre feil som kan påvirke verktøyets funksjon. Kontroller at verktøyet fungerer som det skal og utfører beregnet funksjon. Bruk aldri verktøyet hvis noen av delene er skadet. Ikke bruk verktøyet hvis det ikke er mulig å slå det på og av med strømbryteren. Hvis feil oppstår skal delene repareres eller byttes ut av et autorisert Black & Decker serviceverksted. Prøv aldri å reparere selv.

Fjern batteriet

Ta ut batteriet når verktøyet ikke er i bruk, før du bytter noen av delene på verktøyet, tilbehør eller tilslutning og før vedlikehold.

Unngå utilsiktet start

Bær aldri verktøyet med fingeren på strømbryteren. Pass på at verktøyet er slått av når du setter inn batteriet.

Ikke mislighold ledningen

Bær aldri laderen i ledningen og bruk ikke ledningen for å dra ut kontakten. Utsett ikke ledningen for varme, olje, eller skarpe kanter.

Oppbevar verktøy på et trygt sted

Når det ikke er i bruk, må verktøy, batteri og lader oppbevares på et tørt sted, og slik at det ikke er tilgjengelig for barn.

Vær nøye med vedlikeholdet

Hold verktøyet rent og bruk skarpe tilbehør for bedre prestasjon og sikrere drift. Følg forskriftene når det gjelder vedlikehold og skifte av tilbehør. Hold håndtakene og brytere tørre, rene og fri for olje og fett.

Reparasjoner

Dette verktøyet overholder relevante sikkerhetskrav.

Reparasjoner må bare utføres av autoriserte Black & Decker serviceverksteder som benytter originale reservedeler, ellers kan det være farlig å bruke utstyret.

Ekstra sikkerhetsforskrifter for batterier og ladere

Batterier

- ◆ Må aldri åpnes.
- ◆ Må ikke komme i kontakt med vann.
- ◆ Må ikke oppbevares på steder hvor temperaturen kan overstige 40 °C.
- ◆ Må bare lades i lufttemperaturer mellom 4 °C og 40 °C.
- ◆ Lad bare med laderen som følger med verktøyet (se tekniske data).
- ◆ Før opplading, pass på at batteriet er tørt og rent.
- ◆ Bruk bare den korrekte type batteri for verktøyet (se tekniske data).
- ◆ Når du kasserer batteriet, følger du instruksene som er gitt i seksjonen "Miljø".
- ◆ Under ekstreme forhold, kan batterilekkasje forekomme. Hvis du merker væske på batteriet, må du gjøre som følger:
 - Tørk forsiktig væsken med et tøystykke. Unngå kontakt med huden.
 - I tilfeller hvor det oppstår kontakt med hud eller øyne, skal instruksjonene nedenfor følges.

Advarsel! Batterivæsken, en 25-30 % løsning av kaliumhydroksid, kan være skadelig. Hvis det oppstår berøring med hud, må du straks skylle med vann. Nøytraliser med en svak syre, f.eks. sitronsaft eller eddik. Hvis du får væsken i øynene, må du rense dem med rikelig rent vann i minst 10 minutter. Kontakt lege.



Brannfare! Unngå at metall kortslutter kontaktene på et batteri som er tatt ut (f.eks. ved oppbevaring av batteriet i en verktøykasse).



Ikke brenn batteriet.



Bruk aldri et skadet batteri.

Ladere

- ◆ Bruk din Black & Decker lader kun sammen med det batteriet som blir levert med verktøyet. Andre typer av batterier kan eksplodere og forårsake person- og materialskader.
- ◆ Forsøk aldri å lade ikke oppladbare batterier.
- ◆ Bytt straks ut defekte ledninger.
- ◆ Må ikke komme i kontakt med vann.
- ◆ Laderen må ikke åpnes.
- ◆ Ikke skad eller mislighold laderen.



Kun tiltenkt for bruk i hjemmet.

Ekstra sikkerhetsinstruksjoner for drill/skrutrekker

- ◆ Før boring i vegger, gulv eller tak, undersøk hvor elektriske ledninger og rør befinner seg.
- ◆ Unngå å berøre borspissen rett etter at du har boret, da den kan være varm.

Ekstra sikkerhetsinstruksjoner for stikksager

- ◆ Bruk alltid det bladet som er beregnet på arbeidsmaterialet og på den typen kutt som skal utføres.
- ◆ Benytt bare sagblader i perfekt stand.
- ◆ Slå alltid verktøyet av og vent til bladene har stoppet helt før du legger det fra deg.
- ◆ Hold hendene på avstand fra sagbladet mens du arbeider.
- ◆ Benytt klemmer eller skrustikke når dette er mulig.

Ekstra sikkerhetsinstruksjoner for slipemaskiner

- ◆ Det anbefales bruk av ansiktsmaske når du sliper.
- ◆ Fjern alt støvet godt etter slipingen.
- ◆ Vær ekstra forsiktig når du sliper maling som kan inneholde bly, eller ved sliping av tre og metall som kan avgi giftig damp.
 - Bruk en spesialmaske som beskyttelse mot blystøv og damp, og pass på at andre som kommer inn der du arbeider også beskytter seg
 - La ikke barn eller gravide komme inn der du arbeider.
 - Ikke spis, drikk eller røyk der du arbeider.
 - Kvitt deg med støvpartikler eller annet avfall på en miljøvennlig måte.

Elektrisk sikkerhet

Kontroller at spenningen til laderen tilsvarer nettspenningen.



Laderen er dobbeltisolert i samsvar med EN 60335. Jordet ledning er derfor ikke nødvendig.

OVERSIKT (fig. A)

Motorenhet

1. Trinnløs strømbryter
2. Bryter for høyre-/venstregange
3. Tilsatsens frigjøringsknapp
4. Bitsholder
5. Batteri
6. Batteriets frigjøringsknapp

Bore- og skrutiltsats

7. Justering for vrimoment
8. Chuck

Sagtilsats

9. Låseknapp
10. Sagsko

Slipetilsats

11. Slipebase

Lader

12. Lader

13. Ladingsindikator - lading pågår

14. Ladingsindikator - lading fullført

Montering

Advarsel! Før montering må du alltid ta ut batteriet.

Montere og fjerne batteriet (fig. B)

KC2000

- ◆ Når du skal sette i batteriet (5), holder du det på høyde med holderen på verktøyet. Skyv batteriet inn i holderen, og trykk til det sitter på plass.
- ◆ For å fjerne batteriet, trykk på de to frigjøringsknappene (6) samtidig, mens batteriet dras ut av holderen.

KC2002

- ◆ Når du skal sette i batteriet (5), holder du det på høyde med holderen på verktøyet. Skyv batteriet inn i holderen, og trykk til det sitter på plass.
- ◆ Når du skal fjerne batteriet, trykker du på de to utløserknappene (10) samtidig, mens du drar batteriet ut av holderen.

Montering og fjerning av verktøytilsatsene (fig. C)

De ulike verktøytilsatsene er enkle å skifte.

- ◆ Lås verktøyet ved å stille bryteren for høyre-/venstregange (2) på midtstillingen.
- ◆ For å fjerne verktøytilsatsen, trykk på frigjøringsknappen (3) og ta tilsatsen av verktøyet.
- ◆ Monter en ny tilsats ved å holde det som vist på bildet og skyv det inn i verktøyet til det sitter skikkelig på plass.

Montering og fjerning av bor og bits (fig. A & D)

Bore- og skrutilsatsen er utstyrt med en nøkkelfri chuck for å forenkle skifting av bor og bits.

- ◆ Lås verktøyet ved å stille bryteren for høyre-/venstregange (2) på midtstillingen (fig. A).
- ◆ Chucken åpnes ved å dreie den fremste delen (15) med den ene hånden, mens den andre holder i den bakerste delen (16) (fig. D)
- ◆ Sett tilbehøret (17) inn i chucken.
- ◆ Skru chucken godt fast ved å dreie den forreste delen (15) med den ene hånden mens du holder den bakerste delen (16) med den andre.

Dette verktøyet leveres med en tosidig bits i bitsholderen (4) (fig. A).

- ◆ For å fjerne bitsen, løfter du den ut av holderen.

- ◆ For å oppbevare bitsen trykker du den godt inn i holderen.

Montering og fjerning av et sagblad (fig. F & G)

- ◆ Lås verktøyet ved å stille bryteren for høyre-/venstregange (2) på midtstillingen (fig. F).
- ◆ For å påmontere sagbladet, løft hendelen (18) og hold den i denne stillingen (fig. G).
- ◆ Sett sagbladet inn i holderen, som vist. Pass på at tennene peker forover.
- ◆ Slipp hendelen.
- ◆ For å fjerne sagbladet, løft hendelen (18) og trekk sagbladet ut av holderen.

Montering og fjerning av slipepapir (fig. F & I)

Slipetilsatsen bruker ferdigklippet slipepapir.

- ◆ Lås verktøyet ved å stille bryteren for høyre-/venstregange (2) på midtstillingen (fig. F).
- ◆ Før du setter på et nytt sandpapir, fjern de to ekstra slipepissene (20) (fig. I).
- ◆ For å sette på slipepapiret, hold det på linje med slipebasen, som vist.
- ◆ Trykk slipepapiret godt og jevnt på slipebasen, samtidig som du passer på at hullene i sandpapirer tilsvarer hullene i basen.
- ◆ For å fjerne slipepapiret, dra det av basen.

Advarsel! Bruk aldri slipetilsatsen uten at slipepapir eller annet tilbehør er montert.

Utskifting av slipepissene (fig. F & J)

Slipepapirene leveres med to ekstra slipepissar.

Slipepissene kan snus når den er slitt. Når begge sidene er slitte, skift ut slipepissene.

- ◆ Lås verktøyet ved å stille bryteren for høyre-/venstregange (2) på midtstillingen (fig. F).
- ◆ For å snu spissen, fjern den, snu den 180° og trykk den tilbake i basen, som vist (fig. J)
- ◆ For å skifte ut spissen, dra den gamle fra basen og trykk på en ny en.

Advarsel! Når du fjerner en spiss fra en pute, vær forsiktig så du ikke drar puten av slipebasen.

Bruk

Advarsel! La verktøyet jobbe i sin egen hastighet. Ikke overbelast.

Lading av batteriet (fig. A)

Batteriet må lades før første gangs bruk og alltid når verktøyet ikke lenger fungerer effektivt. Et nytt batteri, eller et batteri som ikke har vært brukt på en lang tid, oppnår full ytelse først etter at det har vært oppladet og utladet ca. 5 ganger.


Batteriet kan bli varmt mens det lades; dette er normalt og indikerer ikke at noe er feil. Etter normal bruk vil en oppladingstid på 60 minutter gi nok strøm til de fleste bruksområder. Lengre ladetid på opptil 90 minutter kan øke brukstiden betydelig, avhengig av batteriet og ladingen.

Advarsel! Lad ikke batteriet hvis lufttemperaturen er under 4 °C eller over 40 °C. Anbefalt ladingstemperatur: ca. 24 °C.

- ◆ Du lader batteriet (5) ved å ta det ut av verktøyet og sette det inn i laderen (12). Det er bare en måte å plassere batteriet inn i laderen på. Ikke bruk makt. Pass på at batteriet ligger ordentlig på plass i laderen.
- ◆ Sett laderen i vegguttaket.
- ◆ Sjekk om den røde ladeindikatoren (13) lyser. Hvis den grønne ladeindikatoren (14) lyser i stedet, er batteriet for varmt og kan ikke lades. Hvis dette skjer, tar du batteriet ut av laderen, lar det avkjøles i 1 time og setter det inn igjen. Etter ca. 1 times lading, vil den røde ladeindikatoren (13) slukke og den grønne ladeindikatoren (14) lyser. Batteriet er nå ferdig oppladet.
- ◆ Ta batteriet ut av laderen.

Valg av vriment eller boreposisjon (fig. E)

Dette verktøyet er utstyrt med en justering for innstilling av vrimentet for stramming av skruer.

- ◆ For boring, still justeringen inn (7) på boreposisjon ved å sette boresymbolet  på linje med merket (21).
- ◆ For skruing stilles justeringen på den ønskede innstillingen. Hvis du ikke kjenner den egnede innstillingen, gjør du slik:
 - ◆ Sett justeringen (7) på stilling 1.
 - ◆ Stram den første skruen.
 - ◆ Hvis koplingen frigjøres før det ønskete resultatet er oppnådd, øker du innstillingen på justeringen og fortsetter å stramme skruen. Gjenta dette til du har oppnådd den korrekte innstillingen. Bruk denne innstillingen for de resterende skruene.

Høyre-/venstregange (fig. A)

For boring, saging, sliping og stramming av skruer, bruk forover (med urviserne) rotering. For å løsne skruer eller fjerne et blokkert bor bruker du rotasjon bakover (mot klokken).

- ◆ For å velge rotasjon forover trykker du bryteren for høyre-/venstregange (2) mot venstre.
- ◆ For å velge rotasjon bakover trykker du bryteren for høyre-/venstregange (2) mot høyre.
- ◆ For å låse verktøyet stiller du bryteren for høyre-/venstregange i midtstilling.

Boring og skruing (fig. A)

- ◆ Velg rotasjon forover eller bakover med bryteren (2).
- ◆ Trykk på strømbryteren (1) for å slå verktøyet på.

Verktøyet hastighet er avhengig av hvor langt inn du trykker strømbryteren.

- ◆ Slipp strømbryteren for å slå verktøyet av.

Innstilling av sagesvinkelen (fig. F & H)

Sageskoen kan stilles inn på vinkler på 0° (rett) og 45° (høyregjæring).

- ◆ Lås verktøyet ved å stille bryteren for høyre-/venstregange (2) på midtstillingen (fig. F).
- ◆ Løsn på skruene (19) slik at skoen kan bevege seg fritt (fig. H).
- ◆ Dra sageskoen fremover og vipp den til den ønskete vinkel.
- ◆ Stram skruen (19).

Saging (fig. F)

- ◆ Velg forover rotering ved å bevege bryteren for høyre-/venstregange (2) til venstre.
- ◆ For å slå verktøyet på, hold låseknappen (9) nede og trykk på den trinnløse strømbryteren (1). Verktøyet hastighet er avhengig av hvor langt inn du trykker strømbryteren.
- ◆ Slipp låseknappen (9).
- ◆ Slipp strømbryteren for å slå verktøyet av.

Sliping (fig. A)

- ◆ Velg forover rotering ved å bevege bryteren for høyre-/venstregange (2) til venstre.
- ◆ Trykk på strømbryteren (1) for å slå verktøyet på. Verktøyet hastighet er avhengig av hvor langt inn du trykker strømbryteren.
- ◆ Slipp strømbryteren for å slå verktøyet av.

Råd for optimalt resultat

Boring

- ◆ Boret skal trykkes lett og rett ned på arbeidsstykket.
- ◆ Like før boret bryter igjennom på den andre siden av arbeidsstykket, slipper du trykket litt.
- ◆ Bruk en trebit under arbeidsstykket for å unngå splintring.
- ◆ Bruk et flatbor/spiralbor når du skal bore hull med stor diameter i tre.
- ◆ Bruk HSS-bor når du borer i metall.
- ◆ Bruk betongbor når du borer i mur.
- ◆ Bruk smøremiddel når du borer i metall utenom støpejern og messing.
- ◆ For bedre presisjon: lag en fordypning med en kjørner i midten av hullet som skal bores.

Skruing

- ◆ Bruk alltid riktig type og størrelse på bitsen.
- ◆ Hvis det er vanskelig å stramme skruene, kan du forsøke å bruke litt flytende vaskemiddel eller såpe som smøremiddel.
- ◆ Hold alltid verktøyet og bitsen i rett linje med skruen.

Saging

- ◆ Bruk alltid det bladet som er beregnet på arbeidsmaterialet og på den typen kutt som skal utføres.
- ◆ Skulle det være nødvendig, bor et hull i nærheten av der hvor kuttet begynner.

Når du sager arbeidsstykker av tre, er det ikke nødvendig å forbore et hull:

- ◆ Lag et merke ved det ønskete startpunktet.
- ◆ Vipp verktøyet forover og plasser sagskoens avrundete forkant på arbeidsstykket.
- ◆ Slå verktøyet på og før sagbladet langsomt inn i arbeidsstykket ved det ønskede startpunktet.

Saging i metall:

- ◆ Sett fast et stykke finér eller mykt tre på baksiden av arbeidsstykket og sag igjennom dette for å oppnå et rent kutt.
- ◆ Ikke press sagbladet inn i arbeidsstykket. Vær oppmerksom på at saging i metall vanligvis vil ta lenger tid enn å sage tykkere trestykker.
- ◆ Smør et tynt lag med olje langs kuttlinjen før saging.
- ◆ For å sage, slå verktøyet på og beveg det nedover til sagbladet er akkurat over startpunktet. Senk ned sagskoen mot arbeidsstykket. Start sagingen når sagskoens fremste del hviler på arbeidsstykket.

Saging i laminat:

- ◆ Sag tynne laminater med baksiden opp, da det er risiko for at materialet splintrer på den siden av arbeidsstykket som vender mot sagskoen.
- ◆ For å oppnå rene kutt, spenn fast et stykke finér eller hard papp til begge sidene av laminatet og sag igjennom dette.

Pussing

- ◆ Ikke trykk for hardt på verktøyet.
- ◆ Sjekk slipepapiret regelmessig. Bytt slipepapir ved behov.
- ◆ Når du skal slipe nye malingstrøk før du skal male et nytt strøk, bruker du ekstra finkornet slipepapir.
- ◆ På veldig ujevne overflater eller når du skal fjerne flere lag med maling, begynner du med et grovere slipepapir. På andre overflater begynner du med et middels kornet slipepapir. I begge tilfeller bytter du gradvis til mer finkornet slipepapir for å få en glattere overflate.
- ◆ Kontakt din forhandler for ytterligere informasjon om ekstra tilbehørsdeler for sliping, polering, og børsting.

Vedlikehold

Ditt Black & Decker verktøy har blitt utformet for å være i drift over en lang periode med et minimum av vedlikehold. Ved riktig vedlikehold og regelmessig rengjøring beholder verktøyet ytelsen.

Laderen din behøver ikke annet vedlikehold enn at du tørker over den med jevne mellomrom.

Advarsel! Før det utføres noen form for vedlikehold av verktøyet, må batteriet tas ut. Trekk ut kontakten når laderen skal gjøres ren.

- ◆ Rengjør ventilasjonsåpningene på verktøyet og laderen regelmessig med en myk børste eller en tørr klut.
- ◆ Rengjør kåpen regelmessig med en fuktig klut. Ikke bruk slipende eller løsemiddelbaserte rengjøringsmidler.
- ◆ Åpne opp chucken regelmessig, og slå lett på den for å fjerne eventuelt støv fra innsiden.
- ◆ Smør regelmessig en dråpe lett maskinolje på styrevalsen (22) til sagtilsatsen (fig. K).

Miljø

Verktøy



Når verktøyet ditt er utslitt, beskytt naturen ved ikke å kaste det sammen med vanlig avfall. Lever det til en oppsamlingsplass som finnes i din kommune eller der hvor du kjøpte verktøyet.

Batterier



Black & Decker batteriene kan lades mange ganger. Beskytt miljøet ved å levere kasserte batterier til en oppsamlingsplass beregnet for dette.

- ◆ Lad ut batteriene helt og ta de så ut av verktøyet.
- ◆ NiCd og NiMH batterier er gjenvinningsbare. Lever de til innkjøpsstedet eller din lokale gjenvinningsstasjon. Innleverte batterier gjenvinnes eller sendes til et egnet behandlingsanlegg.

Tekniske data

	KC2000	KC2002
Spenning	V _{DC} 12	14,4
Kat.nr. batteri	A9275	\$
Bor/skrutrekker:		
Hastighet ubelastet	min ⁻¹ 0 - 700	0 - \$
Maks. vrimoment	Nm 6,2	\$
Chuck-kapasitet	mm 10	10
Maks. borekap. i stål/tre	mm 10/25	10/25
Stikksag:		
Hastighet ubelastet	min ⁻¹ 0 - 3.000	0 - 3.000
Maks. kuttdybde i tre	mm 38	38
Sagevinkler	0°, 45°	0°, 45°
Sliper:		
Svingninger (uten belastning)	min ⁻¹ 0 - 8.000	0 - 8.000

Batteri	A9275	\$
Spenning	V_{DC} 12	14,4
Kapasitet	Ah 1,5	\$

Lader		
Spenning	V_{AC} 230	
Ladetid, ca	timer 1	

CE-sikkerhetserklæring

Black & Decker erklærer at disse verktøyer er konstruert i henhold til:

EN 50260, EN 55014-1, EN 55014-2, EN 61000-3-2,
EN 61000-3-3, EN 60335

L_{pA} (lydnivå): 82 dB(A), L_{WA} (akustisk effekt) 95 dB(A), veid geometrisk middelverdi av vibrasjonsfrekvensen 5.3 m/s²



Colin Wills
Director of Engineering
BDCI, 4/F, 2 Dai Wang Street
Tai Po Industrial Estate
Tai Po NT, Hong Kong

Reservdeler / reparasjoner

Reservdeler kan kjøpes hos autoriserte Black & Decker serviceverksteder, som også gir kostnadsoverslag og reparerer våre produkter.

Oversikt over våre autoriserte serviceverksteder finnes på Internet, vår hjemmeside www.blackdecker.no samt www.2helpU.com.

Garanti

Black & Decker garanterer at produktet ikke har material- og/eller fabrikkasjonsfeil ved levering til kunde. Garantien er i tillegg til kundens lovlige rettigheter og påvirker ikke disse. Garantien gjelder innen medlemsstatene i den Europeiske Unionen og i det Europeiske Frihandelsområdet.

Hvis et Black & Decker produkt går i stykker på grunn av material- og/eller fabrikkasjonsfeil eller har mangler i forhold til spesifikasjonene, innen 24 måneder fra kjøpet, påtar Black & Decker seg å reparere eller bytte ut produktet med minst mulig vanskelighet for kunden.

Garantien gjelder ikke for feil som kommer av:

- ◆ normal slittasje
- ◆ feilaktig bruk eller vedlikehold (mislighold)
- ◆ at produktet har blitt skadet av fremmede gjenstander, emner eller ved et uhell

Det gjøres oppmerksom på at produktet ikke er beregnet på industriell/profesjonell/yrkesmessig bruk, men til hus- og hjemmebruk.

Garantien gjelder ikke om reparasjoner har blitt utført av noen andre enn et autorisert Black & Decker serviceverksted.

For å ta garantien i bruk skal produktet og kjøpekvittering leveres til forhandleren eller til et autorisert serviceverksted senest 2 måneder etter at feilen har blitt oppdaget.

For informasjon om nærmeste autoriserte serviceverksted; kontakt det lokale Black & Decker kontoret på den adressen som er angitt i bruksanvisningen. En oversikt over alle autoriserte serviceverksteder samt servicevilkår finnes også tilgjengelig på Internet, adresse: www.2helpU.com.

Anvendelsesområde

Deres Black & Decker multiværktøj er blevet designet til en lang række gør-det-selv opgaver.

Hvis bore- og skrueforsatsen benyttes, er værktøjet beregnet til brug som skruetrækker og til at bore i træ, metal, plastik og blød murkonstruktion.

Hvis savforsatsen benyttes, er værktøjet beregnet til at save i træ, metal og plastik.

Hvis slibeforsatsen benyttes, er værktøjet beregnet til at slibe træ, metal, plastik, og malede overflader.

Værktøjet er kun beregnet til privat brug.

Black & Decker laderen er designet til opladning af samme Black & Decker batterier, som leveres med dette værktøj.

Sikkerhedsinstruktioner

- ◆ **Advarsel!** Ved brug af genopladeligt værktøj skal de grundlæggende sikkerhedsforanstaltninger, herunder de følgende, altid følges, således at risikoen for brand, lækkende batterier og person- og materialeskader begrænses.
- ◆ Læs denne brugsanvisning igennem, inden værktøjet tages i brug.
- ◆ Opbevar brugsanvisningen let tilgængeligt.

Hold arbejdsområdet i orden

Uordentlige arbejdsområder og arbejdsbænke indbyder til skader.

Tænk på arbejdsmiljøets indflydelse

Udsæt ikke værktøjet for regn. Anvend ikke værktøjet på fugtige eller våde pladser. Sørg for en god belysning over arbejdsområdet. Anvend ikke værktøjet hvor der eksisterer risiko for at brand kan opstå eller eksplosioner forekomme, som følge af brug af værktøjet. F. eks. aldrig i nærheden af let antændelige væsker eller gasser.

Hold børnene på afstand

Børn, besøgende eller dyr må ikke nærme sig arbejdsområdet eller røre ved værktøjet.

Klæd dig rigtigt på

Bær ikke løst hængende tøj eller smykker. De kan sidde fast i bevægelige dele. Gummihandsker og skridsikre sko anbefales ved udendørs arbejde. Brug håret, hvis du har langt hår.

Personlig beskyttelse

Brug beskyttelsesbriller. Brug ansigts- eller støvmaske, når brug af værktøjet kan medføre støv eller flyvende partikler. Brug høreværn, når lydniveauet virker generende.

Stræk dig ikke for meget

Sørg for, at du altid har sikkert fodfæste og balance.

Vær opmærksom

Se på det, du gør. Brug din sunde fornuft. Brug ikke værktøjet, når du er træt.

Sæt arbejdsemnet fast

Brug skruevinger eller skruestik for at spænde arbejdsemnet fast.

Det er sikrere end at bruge hånden, og du får begge hænder fri til arbejdet.

Tilslut støvudsugningsudstyret

Hvis der findes enheder til tilslutningsfunktionerne støvudsugning og støvopsamling, skal man sørge for, at disse tilsluttes og bruges korrekt.

Fjern nøglerne

Kontroller at nøgler og justerværktøj er fjernet fra værktøjet, inden det startes.

Brug det rigtige værktøj

Brugen af værktøjet er beskrevet i denne brugsanvisning. Tving ikke elværktøj til at udføre arbejde, som er beregnet til kraftigere værktøj. Brug kun tilbehør og dele, der er anbefalet i brugsanvisningen og katalogerne. Værktøjet må ikke forceres.

Advarsel! Anvendelsen af andet tilbehør eller udførelse af opgaver med andet værktøj end det her anbefalede kan medføre risiko for personskader.

Kontrollér værktøjet for skader

Kontrollér omhyggeligt værktøjet for beskadigelser, før du bruger det. Check de bevægelige dele for skæv indstilling og sammenbrændinger, kontrollér for brud på dele, skader på skærme og kontakter samt alt andet, der kan påvirke værktøjets funktion. Kontrollér, at værktøjet fungerer rigtigt og kan udføre det arbejde, det er beregnet til. Værktøjet må ikke benyttes, hvis en af delene er beskadiget eller defekt.

Brug ikke værktøjet, hvis det ikke kan tændes og slukkes ved afbryderen. Skadede eller defekte dele skal repareres eller udskiftes af en autoriseret tekniker. Man må aldrig forsøge selv at reparere værktøjet.

Fjern batteriet

Fjern batteriet når værktøjet er ude af brug og før udskiftning af enhver værktøjsdel, tilbehør eller andet udstyr.

Undgå utilsigtet start af værktøjet

Man må ikke bære værktøjet med en finger på tænd/sluk knappen. Kontrollér at værktøjet er slukket, når du sætter et batteri i værktøjet.

Vær forsigtig med ledningen

Laderen må aldrig bæres i ledningen eller tages ud af stikkontakten ved at rive i ledningen. Ledningen skal holdes på afstand fra varme, olie og skarpe kanter.

Opbevar værktøjet sikkert, når det ikke bruges

Når værktøj, batterier og oplader ikke er i brug, skal de opbevares indelåst eller højt placeret et tørt sted uden for børns rækkevidde.

Vedligehold værktøjet omhyggeligt

Skærende værktøj skal holdes skarpe og rene, for på denne måde at opnå et bedre og mere sikkert brug.

Følg vedligeholdelsesvejledningen samt vejledningen til udskiftning af tilbehør. Hold håndtagene og knapperne tørre, rene og fri for olie og fedt.

Reparationer

Dette værktøj opfylder de relevante sikkerhedskrav.

Reparationer må kun foretages af dertil kvalificerede personer, som bruger originale reservedele. I modsat fald kan der opstå betydelig fare for brugeren.

Yderligere sikkerhedsanvisninger til batterier og ladere

Batterier

- ◆ Man må aldrig åbne et batteri.
- ◆ Det må ikke udsættes for vand.
- ◆ Det må ikke opbevares i lokaler, hvor temperaturen overstiger 40 °C.
- ◆ Det må kun oplades ved omgivelsestemperaturer mellem 4 °C og 40 °C.
- ◆ Oplad kun med den vedlagte lader (se tekniske data).
- ◆ Før opladning skal man sikre sig, at batteriet er tørt og rent.
- ◆ Benyt kun de til værktøjet beregnede batterier (se tekniske data).
- ◆ Ved kassering af batterier, skal man følge vejledningen givet i afsnittet "Miljø".
- ◆ Under ekstreme forhold kan der forekomme batteriutætheder. Hvis man opdager væske på batteriet, skal man gå frem på følgende måde:
 - Tør forsigtigt væsken af med en klud. Undgå kontakt med huden.
 - I tilfælde af at væsken kommer i kontakt med huden, skal man følge nedenstående vejledning.

Advarsel! Batterivæsken, en 25-30% opløsning af kaliumhydroksid, kan være skadelig. Ved hudkontakt skal der omgående skylles med vand. Neutraliser med en mild syre såsom citronsaft eller eddike. Ved øjenkontakt skylles med rigeligt vand i mindst 10 minutter. Opsøg læge.



Brandfare. Undgå at kortslutte kontakterne på et frakoblet batteri med metalgenstande (ved f.eks. at have nøgler i samme lomme som batteriet).



Brænd ikke batteriet.



Oplad ikke et beskadiget batteri.

Ladere

- ◆ Din Black & Decker lader må kun benyttes til Black & Decker batterier af samme slags, som de med værktøjet leverede batterier. Andre batterier kan eksplodere og medføre personskader.
- ◆ Man må aldrig forsøge at oplade ikke opladelige batterier.
- ◆ Defekte ledninger skal straks udskiftes.
- ◆ Må ikke udsættes for vand.

- ◆ Laderen må ikke åbnes.
- ◆ Laderen må ikke manipuleres.



Kun beregnet til indendørs brug.

Yderligere sikkerhedsvejledninger til kombineret boremaskine/skruetrækker

- ◆ Før man borer i vægge, gulve eller lofte, skal man checke ledningers samt rørs placering.
- ◆ Man skal undgå at røre borespidsen lige efter, at man har boret, idet den kan være varm.

Yderligere sikkerhedsvejledninger til stiksav

- ◆ Man skal altid benytte de klinger, som er egnet til arbejdsemnets materiale samt det snit, man ønsker at udføre.
- ◆ Man må kun benytte klingerne, hvis de er i perfekt stand.
- ◆ Man skal altid slukke værktøjet, og vente indtil klingens er ubevægelig, før man sætter værktøjet fra sig.
- ◆ Man skal holde hænderne langt væk fra klingens, når saven er i drift.
- ◆ Når det er muligt, skal man benytte klemmer eller en skruevinge til fastspænding af arbejdsemnet.

Yderligere sikkerhedsvejledninger til slibemaskiner

- ◆ Man bør bære støvmaske, når man sliber.
- ◆ Man skal grundigt fjerne alt støv efter slibning.
- ◆ Man skal være specielt opmærksom ved slibning af maling, som er blybaseret. Også ved slibning af nogle typer træ og metal, som kan frembringe giftigt støv:
 - Man skal bære en specielt designet støvmaske til beskyttelse mod støv frembragt af blybaseret maling og blybaserede dampe, samt sikre sig, at personer indenfor arbejdsområdet også er beskyttet.
 - Børn og gravide kvinder må ikke betrede arbejdsområdet.
 - Man må hverken spise, drikke eller ryge indenfor arbejdsområdet.
 - Man skal bortskaffe støvpartikler og andet affald på sikker måde.

Elektrisk sikkerhed

Kontroller, om laderens spænding svarer til lysnettets spænding.



Laderen er dobbelt isoleret i henhold til EN 60335; jordledning er derfor ikke påkrævet.

OVERSIGT (fig. A)

Motorenhed

1. Afbryder med variabel hastighedskontrol
2. Højre/venstre omskifter
3. Frikoblingsknap
4. Bitsholder

5. Batteri
6. Batteri-udløserknop

Bore/skrueforsats

7. Krave til vridmomentjustering
8. Borepatron

Savforsats

9. Låseknop
10. Savsko

Slibeforsats

11. Slibegrundplade

Lader

12. Lader
13. Opladningsindikator - "ladning i gang"
14. Opladningsindikator - "fuld ladning"

Montering

Advarsel! Før montering skal batteriet altid afmonteres.

Af- og påmontering af batteriet (fig. B)

KC2000

- ◆ Ved montering af batteriet (5) holdes det på linje med værktøjets batteriholder. Dernæst placeres batteriet i holderen og skubbes på plads.
- ◆ For at fjerne batteriet, trykkes der på de to udløserknapper (6) samtidig med, at batteriet tages ud af batteriholderen.

KC2002

- ◆ Ved montering af batteriet (5) holdes det på linje med værktøjets batteriholder. Dernæst placeres batteriet i holderen og skubbes på plads.
- ◆ For at tage batteriet af trykkes på udløserknappen (10) samtidig med, at batteriet tages ud af batteriholderen.

Montering og demontering af de forskellige værktøjsforsatser (fig. C)

De forskellige forsatses kan let udskiftes.

- ◆ Fastlås værktøjet ved at sætte højre/venstre omskifteren (2) i midterposition.
- ◆ For at demontere værktøjsforsatsen, trykkes der ned på frikoblingsknappen (3) og forsatsen tages ud af motorenheden.
- ◆ For at montere en værktøjsforsats, skal forsatsen sættes på lige med værktøjet som vist og skubbes ind i værktøjet, indtil den falder på plads.

Montering og demontering af et bor eller en skruetrækkerbits (fig. A & D)

Bore- og skrueforsatsen er udstyret med en selvspændende patron for let at kunne udskifte bor.

- ◆ Fastlås værktøjet ved at sætte højre/venstre-omskifteren (2) i midterposition (fig. A).
- ◆ Åbn patronen ved at dreje frontdelen (15) med den ene hånd, mens bagenden (16) holdes med den anden (fig. A).
- ◆ Sæt bit'ens stang (17) ind i patronen.
- ◆ Stram patronen ved at dreje frontdelen (15) med den ene hånd, mens bagenden (16) holdes med den anden.

Værktøjet er udstyret med en dobbelt skrue-trækkerbits i bitsholderen (4) (fig. A).

- ◆ For at fjerne skrue-trækkerbitsen fra bitsholderen skal den løftes ud af holderen.
- ◆ For at opbevare skrue-trækkerbitsen skubbes den ind i holderen.

Montering og demontering af en klinge (fig. F & G)

- ◆ Fastlås værktøjet ved at sætte højre/venstre omskifteren (2) i midterposition (fig. F).
- ◆ For at montere en klinge, løftes stangen (18) og holdes i denne position (fig. G).
- ◆ Klingens sættes ind i holderen som vist. Man skal sikre sig at savtænderne peger fremad.
- ◆ Slip håndtaget.
- ◆ For at demontere klingen, løftes stangen (18), og klingen trækkes ud af holderen.

Montering og demontering af slibepapir (fig. F & I)

Slibeforsatsen bruger standard slibepapir.

- ◆ Fastlås værktøjet ved at sætte højre/venstre omskifteren (2) i midterposition (fig. F).
- ◆ Før montering af et nyt stykke papir, fjernes de to ekstra slibespidses (20) (fig. I).
- ◆ For at montere et stykke papir, skal man sætte papiret på lige med slibegrundfladen som vist.
- ◆ Tryk papiret fast på slibegrundfladen samtidig med det sikres, at hullerne i papiret passer sammen med hullerne i grundfladen.
- ◆ For at fjerne papiret løsnes det af slibepuden.

Advarsel! Man må aldrig benytte slibeforsatsen uden sandpapir eller tilbehør.

Udskiftning af slibespidsen (fig. F & J)

Sandpapiret leveres med to reserve slibespidses. Slibespidsen kan vendes om, når den er slidt. Når begge sider er slidte, skal slibespidsen udskiftes.

- ◆ Fastlås værktøjet ved at sætte højre/venstre omskifteren (2) i midterposition (fig. F).

- ◆ For at vende spidsen om, fjernes den, drejes derefter 180° og skubbes tilbage på plads som vist (fig. J).
- ◆ For at udskifte spidsen, fjernes den gamle og den nye skubbes på plads.

Advarsel! Når spidsen fjernes fra puden, skal man passe på, at man ikke river puden af slibgrundfladen.

Brug

Advarsel! Lad værktøjet arbejde i dets eget tempo. Man må ikke overbelaste det.

Opladning af batteriet (fig. A)

Batteriet skal oplades, før det tages i brug for første gang, samt når det ikke er i stand til at yde tilstrækkelig kraft til opgaver, som normalt udføres uden besvær. Et nyt batteri eller et batteri, der ikke har været anvendt i længere tid, opnår først sin fulde ydeevne efter ca. 5 afladnings- og opladningsomgange. Batteriet kan blive opvarmet under opladning; dette er normalt og er ikke ensbetydende med, at der er problemer. Efter normal anvendelse vil en opladning på 60 minutter give tilstrækkelig kraft til de fleste formål. Men yderligere opladning i op til 90 minutter kan øge anvendelsestiden betydeligt, afhængigt af batteriets tilstand og opladningforholdene.

Advarsel! Batteriet må ikke oplades i omgivelsestemperaturer på under 4 °C eller over 40 °C.
Anbefalet opladningstemperatur: ca. 24 °C.


- ◆ For at oplade batteriet (5) fjernes det fra værktøjet og sættes ind i laderen (12). Batteriet kan kun sættes ind på én måde. Man må ikke tvinge det. Man skal sikre sig, at batteriet er fuldstændigt indsat i laderen.
- ◆ Sæt laderen i stikkontakten.
- ◆ Check, om den røde opladningsindikator (13) lyser. Hvis den grønne ende af opladningsindikatoren (14) lyser, betyder det, at batteriet er for varmt og derfor ikke kan oplades. Hvis dette sker, fjernes batteriet fra opladeren og køles ned i ca. 1 time, hvorefter det kan sættes i laderen igen.

Efter ca. 1 times opladning holder den røde opladningsviser (13) op med at lyse, og den grønne ende af opladningsviseren (14) lyser. Batteriet er nu fuldt opladet.

- ◆ Fjern batteriet fra laderen.

Valg af vridmoment eller boreposition (fig. E)

Værktøjet er udstyret med en krave til indstilling af vridmoment ved skruetrækning.

- ◆ Hvis man ønsker at bore, indstilles kraven (7) på borepositionen ved at lade mærket (21) være i linje med boresymbolet .

- ◆ Hvis man ønsker at skruer, indstilles kraven på den ønskede position. Hvis ikke man kender den korrekte indstilling, skal man gå frem som beskrevet nedenfor:
 - ◆ Indstil kraven (7) på position 1.
 - ◆ Stram den første skrue.
 - ◆ Hvis ikke man opnår det ønskede resultat, øges kravens indstilling, og man fortsætter med at stramme skruen. Proceduren gentages, indtil man opnår det ønskede resultat. Denne indstilling benyttes til resten af skrueerne.

Valg af rotationsretning (fig. A)

Til boring, savning, slibning og skruning benyttes højrekørsel (med uret). Til løsning af skrue eller fjernelse af blokerede borebits drejes i den modsatte retning (mod uret).

- ◆ For at vælge højrerotation skubbes højre/venstre omskifteren (2) til venstre.
- ◆ For at vælge venstrerotation skubbes højre/venstre omskifteren til højre.
- ◆ For at låse værktøjet sættes højre/venstre omskifteren i midten.

Boring/skruetrækning (fig. A)

- ◆ Man vælger højre- eller venstrerotation ved hjælp af højre/venstre omskifteren (2).
- ◆ Værktøjet tændes ved at trykke på kontakten til variabel hastighed (1). Værktøjets hastighed afhænger af, hvor langt ned man trykker kontakten.
- ◆ Sluk værktøjet ved at løsne kontakten til variabel hastighed.

Indstilling af savevinklen (fig. F & H)

Savskoen kan blive indstillet på vinkler på 0° (ligeud) og 45° (højre side smigskæring).

- ◆ Fastlås værktøjet ved at sætte højre/venstre omskifteren (2) i midterposition (fig. F).
- ◆ Løsn skruen (19) indtil skoen kan bevæge sig frit (fig. H).
- ◆ Træk savskoen fremad og placer den i den ønskede vinkel.
- ◆ Stram skruen (19).

Savning (fig. F)

- ◆ Vælg højre omløb ved at bevæge højre/venstre omskifteren (2) til venstre.
- ◆ For at tænde værktøjet holdes låseknappen (9) nedtrykket, og afbryderen (1) nedtrykkes. Værktøjets hastighed afhænger af, hvor langt ned man trykker kontakten.
- ◆ Låseknappen (9) slippes.
- ◆ Sluk værktøjet ved at løsne kontakten til variabel hastighed.

Slibning (fig. A)

- ◆ Vælg højre omløb ved at bevæge højre/venstre omskifteren (2) til venstre.
- ◆ Værktøjet tændes ved at trykke på kontakten til variabel hastighed (1).

Værktøjets hastighed afhænger af, hvor langt ned man trykker kontakten.

- ◆ Sluk værktøjet ved at løsne kontakten til variabel hastighed.

Gode råd til optimalt brug

Boring

- ◆ Boret skal trykkes let nedad i lige linie mod arbejdsemnet.
- ◆ Lige før borespidsen går igennem arbejdsemnets bagside, lettes trykket på værktøjet.
- ◆ Benyt en træklods til at støtte bagsiden af arbejdsemner, som kan splintre.
- ◆ Benyt spadebor, når der bores huller med stor diameter i træ.
- ◆ Benyt HSS bor, når der bores i metal.
- ◆ Benyt murbor til boring i blødt murværk.
- ◆ Benyt boreolie, når der bores i metal, som ikke er støbejern eller messing.
- ◆ Benyt en kørner til at finde centrum af det hul, som skal bores.

Benyttelse som skruetrækker

- ◆ Man skal altid benytte skruetrækkerbits af korrekt type og størrelse.
- ◆ Hvis skruerne er svære at stramme, kan man påsmøre en smule sæbe som smøremiddel.
- ◆ Maskinen og skruetrækkerbitsen skal altid holdes lige på skruen.

Savning

- ◆ Man skal altid benytte den klinge, som er egnet til arbejdsemnets materiale samt det snit, man ønsker at udføre.
- ◆ Hvis nødvendigt kan man bore et hul i starten af det sted, hvor man ønsker at save.

Når man saver arbejdsemner af træ, er det ikke nødvendigt at bore et føringshul:

- ◆ Markér det ønskede startpunkt.
- ◆ Hold værktøjet fremad og anbring savskoens runde frontkant på arbejdsemnet.
- ◆ Tænd værktøjet og tryk langsomt klingens ind i arbejdsemnet i det ønskede startpunkt.

Ved savning af plademetal:

- ◆ Spænd et stykke krydsfiner eller et stykke blødt træ til arbejdsemnets bagside og sav igennem, for således at opnå et rent snit.
- ◆ Man må ikke tvinge klingens ind i arbejdsemnet. Man skal være opmærksom på, at det normalt tager længere tid at save plademetal end at save tykkere arbejdsemner i træ.
- ◆ Spred et tyndt lag olie omkring savelinien, før savningen påbegyndes.
- ◆ For at save tændes værktøjet og bevæges nedad, indtil klingens befinder sig lige præcist over startpunktet.

Savskoens bagende skal derefter sænkes ned mod arbejdsemnet, samtidig med at man bevarer et fast tryk på savskoens. Med savskoens fladt på arbejdsemnet, føres klingens ind i arbejdsemnet.

Når man skærer i laminaer:

- ◆ Man skal skære tynde laminaer med bagsiden opad, idet det er meget muligt at arbejdsemnet splintrer, på den side som vender op mod savskoens.
- ◆ Til rene snit, spændes et stykke krydsfiner eller et stykke træfiberplade på begge sider af laminatet, og derefter skæres der tværs igennem disse tre lag.

Slibning

- ◆ Man må ikke udøve for stort tryk på værktøjet.
- ◆ Man skal regelmæssigt checke slibepapirets tilstand. Det skal udskiftes, når det er nødvendigt.
- ◆ Anvend ekstra finkornet slibepapir mellem påføring af nye lag maling.
- ◆ På meget ujævne overflader, eller når man fjerner lag af maling, skal man starte med en grov kornstørrelse. På andre overflader startes der med en mellem kornstørrelse. I begge tilfælde skal man gradvist ændre til en fin kornstørrelse for at opnå en glat finish.
- ◆ Kontakt Deres forhandler for at få yderligere information vedrørende tilbehør til slibning, pudning, fjernelse af overfladelag og skrubning.

Vedligeholdelse

Dit Black & Decker værktøj er designet til at fungere i en lang periode og med minimal vedligeholdelse. Korrekt behandling af værktøjet samt regelmæssig rengøring er en forudsætning for fortsat tilfredsstillende drift.

Laderen kræver ingen anden vedligeholdelse end regelmæssig rengøring.

Advarsel! Før udførelse af vedligeholdelsesopgaver på værktøjet, skal batteriet fjernes. Afbryd laderen ved stikkontakten, før den rengøres.

- ◆ Man skal regelmæssigt rengøre værktøjets ventilationshuller og oplader med en blød børste eller en tør klud.
- ◆ Man skal regelmæssigt gøre motorhuset rent med en fugtig klud. Man må ikke benytte slibemidler eller opløsningsmidler.
- ◆ Man skal regelmæssigt åbne patronen og banke den let for på denne måde at fjerne støv fra dens indre.
- ◆ Man skal regelmæssigt påføre et let dryp maskinolie på savforsatsens støtterulle (22) (fig. K).

Miljø

Værktøj



Når dit værktøj er udtjent, beskyt da naturen ved ikke at smide det ud sammen med det almindelige affald. Aflever det til de opsamlingssteder, der findes i din kommune eller der hvor du købte værktøjet.

Batterier



Black & Decker batterierne kan genoplades mange gange. Beskyt miljøet ved at aflevere de kasserede batterier på dertil beregnede opsamlingssteder.

- ◆ Afład batteriet fuldstændigt og fjern det fra værktøjet.
- ◆ NiCd og NiMH batterier kan genbruges. Aflever dem til købsstedet eller til den lokale genbrugsstation. Genanvendelige batterier genbruges eller sendes til specielle behandlingsanlæg.

Tekniske data

		KC2000	KC2002
Spænding	V _{DC}	12	14,4
Kat. nr. batteri		A9275	\$
Boremaskine/skruetrækker:			
Ubelastet hastighed	min ⁻¹	0 - 700	0 - \$
Max. vridmoment	Nm	6,2	\$
Patronkapacitet	mm	10	10
Max. bore kapacitet i stål/træ	mm	10/25	10/25
Stiksav:			
Ubelastet hastighed	min ⁻¹	0 - 3.000	0 - 3.000
Max. skæredybde i træ	mm	38	38
Savevinkler		0°, 45°	0°, 45°
Slibemaskine:			
Svingninger (ubelastet)	min ⁻¹	0 - 8.000	0 - 8.000

Batteri		A9275	\$
Spænding	V _{DC}	12	14,4
Kapacitet	Ah	1,5	\$

Lader

Spænding	V _{AC}	230
Opladningstid (ca.)	t	1

EU-overensstemmelseserklæring

Black & Decker erklærer, at disse værktøjer er konstrueret i henhold til:

EN 50260, EN 55014-1, EN 55014-2, EN 61000-3-2,
EN 61000-3-3, EN 60335

L_{pA} (lydniveau): 82 dB(A), L_{WA} (akustisk styrke) 95 dB(A),
hånd/arm vægt vibration 5.3 m/s²

Colin Wills
Director of Engineering
BDCI, 4/F, 2 Dai Wang Street
Tai Po Industrial Estate
Tai Po NT, Hong Kong

Reservedele / reparationer

Reservedele kan købes hos autoriserede Black & Decker serviceværksteder, som giver forslag til omkostninger og reparerer vore produkter. Oversigt over vore autoriserede værksteder findes på internettet på vor hjemmeside www.blackdecker.dk samt www.2helpU.com.

Garanti

Black & Decker garanterer, at produktet er fri for materielle skader og/eller fabrikations- fejl ved levering til kunden. Garantien er et tillæg til konsumentens lovlige rettigheder og påvirker ikke disse. Garantien gælder indenfor medlemsstaterne af den Europæiske Union og i det Europæiske Frihandelsområde.

Hvis et Black & Decker produkt går i stykker på grund af materiel skade og/eller fabrikationsfejl eller på anden måde ikke fungerer i overensstemmelse med specifikationen, inden for 24 måneder fra købsdatoen, påtager Black & Decker sig at reparere eller ombytte produktet med mindst muligt besvær for kunden.

Garantien gælder ikke for fejl og mangler, der er sket i forbindelse med:

- ◆ normal slitage
- ◆ uheldige følger efter unormal anvendelse af værktøjet
- ◆ overbelastning, hærværk eller overdrevent intensivt brug af værktøjet
- ◆ ulykkeshændelse

Garantien gælder ikke hvis reparationer er udført af nogen anden end et autoriseret Black & Decker værksted.

For at udnytte garantien skal produktet og købskvitteringen indleveres til forhandleren eller til et autoriseret værksted, senest 2 måneder efter at fejlen opdages. For information om nærmeste autoriserede værksted: kontakt det lokale Black & Decker kontor på den adresse som er opgivet i brugsanvisningen. Liste over alle autoriserede Black & Decker serviceværksteder samt servicevilkår er tilgængelig på internettet, på adressen www.2helpU.com.

Käyttötarkoitus

Black & Deckerin monitoimityökalu on suunniteltu käytettäväksi useissa eri kodin nikkarointitöissä.

Pora/ruuvinväännin -päättä käytettäessä sopii työkalu ruuvinvääntöön sekä puun, metallin, muovimateriaalien ja betonin poraamiseen.

Sahauspäättä käytettäessä työkalu sopii puun, metallin ja muovimateriaalien sahaamiseen.

Hiomapäättä käytettäessä työkalu sopii puun, metallin, muovimateriaalien ja maalattujen pintojen hiomiseen.

Kone on tarkoitettu kotikäyttöön.

Black & Deckerin laturi on suunniteltu tämän työkalun mukana toimitetun Black & Decker -akun lataamiseen.

Turvallisuusohjeet

- ◆ **Varoitus!** Akkukäyttöisiä koneita käytettäessä on aina noudatettava mm. seuraavia turvallisuusohjeita, jotta tulipalojen, akkuvuotojen, henkilövahinkojen ja materiaalivaurioiden riski olisi mahdollisimman pieni.
- ◆ Lue käyttöohje huolellisesti ennen koneen käyttöönottoa.
- ◆ Säilytä käyttöohje kaikkien koneen käyttäjien ulottuvilla.

Pidä työskentelyalue siistinä

Poista roskat ja mahdolliset esteet työskentelyalueelta välttyäksesi vaurioilta.

Ajattele työskentelyalueen vaikutusta työhösi

Älä altista konetta sateelle äläkä käytä sitä kosteissa tai märissä paikoissa. Järjestä työskentelyalueelle hyvä valaistus. Älä käytä konetta paikassa, jossa on tulipalo- tai räjähdysvaara, esim. palavien nesteiden tai kaasujen läheisyydessä.

Työskentele lasten ulottumattomissa

Älä anna lasten, vieraiden tai eläinten tulla lähelle työskentelyaluetta tai koskea koneeseen.

Pukeudu asianmukaisesti

Älä käytä liian väljiä vaatteita tai koruja. Ne voivat tarttua liikkuviin osiin. Käytä ulkona työskennellessäsi kumihanskaita ja liukumattomia kenkiä. Jos sinulla on pitkät hiukset, käytä hiusverkkoa.

Suojavaatetus

Käytä aina suojalaseja. Käytä kasvosuojaa, jos työskennellessä syntyy pölyä tai hiukkasia. Käytä kuulosuojaimia, jos melutaso tuntuu epämukavalta.

Älä kurottele

Seiso aina tukevasti ja tasapainossa.

Ole tarkkaavainen

Keskity työhösi. Käytä tervettä järkeä.

Älä käytä sähkötyökalua, kun olet väsynyt.

Kiinnitä työstökappale kunnolla

Käytä ruuvipuristinta tai -kappaletta, jotta työstökappale pysyy kunnolla kiinni. Näin saat molemmat kädet vapaaksi työhön.

Liitä pölynpoistolaite

Jos laitteissa on liitäntä pölynpoisto- ja pölynkeräyslaitteistolle, varmista, että ne on kiinnitetty ja niitä käytetään oikein. HUOM! Käytä ainoastaan teollisuuspölynimuria.

Poista avaimet

Poista säätöavaimet ja asennustyökalut koneesta ennen kuin käynnistät sen.

Käytä oikeaa konetta

Käytä konetta ainoastaan sellaiseen työhön, johon se on tarkoitettu. Käytä vain käyttöohjeessa ja tuotekuvastossa suositeltuja tarvikkeita ja lisälaitteita. Jonkin muun laitteen käyttö voi aiheuttaa onnettomuuden. Älä ylikuormita konetta.

Tarkista, että kone on kunnossa

Tarkista ennen käyttöä, ettei kone ole vaurioitunut.

Tarkista, etteivät liikkuvat ja muut osat sekä suoja ole viallisia, ja että kaikki muut käyttöön mahdollisesti vaikuttavat tekijät ovat kunnossa. Varmista, että kone toimii oikein ja täyttää tehtävänsä. Älä käytä konetta, jos jokin sen osista on viallinen. Älä käytä konetta, jos se ei käynnisty ja pysähdy virrankatkaisijasta. Viallinen osa tulee korjata tai vaihtaa valtuutetussa Black & Deckerin huoltoliikkeessä. Älä koskaan yritä korjata konetta itse.

Poista akku

Poista akku, kun konetta ei käytetä, ennen minkään koneen osan, tarvikkeen tai lisälaitteen vaihtamista, sekä ennen huoltoa.

Vältä tahatonta käynnistämistä

Älä koskaan kanno konetta sormet kiinni virrankatkaisijassa. Varmista, että työkalu on kytketty pois päältä, kun laitat akun työkaluun.

Huolehdi johdon kunnosta

Älä koskaan kanno laturia johdosta äläkä irrota pistoketta virtalähteestä vetämällä johdosta. Suojaa johto kuumuudelta, öljyltä ja teräviltä reunoilta.

Säilytä konetta oikein

Kun kone ei ole käytössä, sen ja akun tulee olla varastoituna kuivaan paikkaan lasten ulottumattomissa.

Hoida työkalua huolellisesti

Pidä työkalu puhtaana ja käytä teräviä teriä tehokasta ja turvallista työskentelyä varten. Noudata huollosta ja tarvikkeiden vaihdosta annettuja ohjeita. Pidä virrankatkaisija ja kädensijat kuivina ja puhtaina öljystä ja rasvasta.

Korjaukset

Tämä kone täyttää voimassa olevat turvallisuusvaatimukset. Korjauksia saa tehdä vain Black & Deckerin valtuuttama huoltoliike, joka käyttää alkuperäisosa. Muussa tapauksessa käyttäjä saattaa joutua vaaratilanteisiin.

Lisäturvaohjeet akuille ja laturille

Akut

- ◆ Älä koskaan yritä avata akkua.
- ◆ Älä altista akkua vedelle.

- ◆ Älä säilytä akkua paikassa, jonka lämpötila ylittää +40 °C.
- ◆ Lataa akku ainoastaan lämpötilan ollessa +4 °C - +40 °C.
- ◆ Lataa akku käyttäen ainoastaan koneen mukana toimitettua laturia (ks. tekniset tiedot)
- ◆ Ennen lataamista varmista, että akku on kuiva ja puhdas.
- ◆ Käytä koneessa ainoastaan siihen tarkoitettua akkua (ks. tekniset tiedot).
- ◆ Kun poistat akun käytöstä, noudata kappaleessa "Ympäristö" annettuja ohjeita.
- ◆ Äärimmäisissä olosuhteissa akku saattaa vuotaa. Jos havaitset akusta tulevan nestettä, toimi seuraavasti:
 - Kuivaa neste varovasti pois rievulla. Vältä nesteen joutumista iholle.
 - Mikäli nestettä joutuu iholle tai silmiin, noudata alla olevia ohjeita:

Varoitus! Akkuneste (25-30 % kaliumhydroksidiliuosta) saattaa olla haitallista. Jos akkunestettä pääsee iholle, huuho se välittömästi vedellä. Neutralisoi akkuneste esim. etikalla tai sitruunamehulla. Jos akkunestettä joutuu silmiin, huuho silmiä runsaalla vedellä vähintään 10 minuuttia, ja ota heti yhteys lääkäriin.



Palovaara! Vältä, ettei irrotetun akun kontaktit mene oikosulkuun metalliin kanssa (esim. säilytettäessä akkua työkalupakissa).



Älä polta akkuja.



Älä koskaan käytä viallisia akkuja.

Laturi

- ◆ Käytä Black & Decker-laturia ainoastaan koneen mukana toimitetun akun lataamiseen. Muunlaiset akut saattavat räjähtää aiheuttaen henkilö- ja esinevahinkoja.
- ◆ Älä koskaan yritä ladata ei-ladattavia akkuja.
- ◆ Vaihda vialliset johdot välittömästi.
- ◆ Älä altista laturia vedelle.
- ◆ Älä avaa laturia.
- ◆ Älä vahingoita laturia.



Tarkoitettu vain sisäkäyttöön.

Lisäturvaohjeet porakoneelle/ruuvinvääntimelle

- ◆ Ennen seinien, lattioiden tai kattojen poraamista tarkista sähköjohtojen ja putkistojen sijainnit.
- ◆ Vältä poranterän kärjen koskettamista heti poraamisen jälkeen, se saattaa olla kuuma.

Lisäturvaohjeet pistosahalle

- ◆ Käytä aina oikeantyyppistä sahanterää työstettävän materiaalin ja sahausjäljen mukaan.
- ◆ Käytä vain ehdottoman hyväkuntoisia sahanteriä.
- ◆ Pysäyttäessäsi koneen odota, että terän liike on kokonaan pysähtynyt ennen kuin lasket koneen käsistäsi.
- ◆ Pidä kätesi kaukana sahanterästä koneella työskennellessäsi.
- ◆ Käytä ruuvipuristinta tai -kappaletta aina kun se on mahdollista työkappaleen paikallaan pitämiseksi.

Lisäturvaohjeet hiomakoneelle

- ◆ Käytä kasvosuojaa hiottaessa.
- ◆ Hiomisen jälkeen poista pöly huolellisesti.
- ◆ Ole erityisen varovainen hioessasi maalipintoja, jotka voivat sisältää lyijyä, tai puu- tai metallipintoja, jotka voivat erittää myrkyllistä hiomapölyä.
 - Käytä erityismuotoitua, lyijypitoisen maalin pölyltä ja höyryiltä suojaavaa kasvosuojaa. Varmista, että sekä työpaikalla olevat että sen läheisyyteen saapuvat ihmiset käyttävät suojaa.
 - Älä anna lasten tai raskaana olevien naisten olla työalueella.
 - Älä syö, juo tai tupakoi työalueella.
 - Hävitä pöly ja muu jäte ympäristöstävällisesti.

Sähköinen turvallisuus

Tarkista, että laturin jännite vastaa verkon jännitettä.



Laturisi on kaksoiseristetty EN 60335:n mukaisesti; siksi ei tarvita erillistä maadoitusta.

YLEISKUVAUS (kuva A)

Moottoriosia

1. Virrankatkaisija portaattomalla nopeudensäädöllä
2. Suunnanvaihtokytkin
3. Työstöpään vapautusnappi
4. Ruuvitaltan pidike
5. Akku
6. Akun vapautusnapit

Pora/ruuvinväänninpää

7. Momentin säädin
8. Istukka

Sahauspää

9. Lukitusnappi
10. Sahausjalka

Hiomapää

11. Hioma-alusta

Laturi

12. Laturi
13. Latausvalo - lataus käynnissä
14. Latausvalo - akku täynnä

Kokoaminen

Varoitus! Poista akku koneesta aina ennen kokoamista.

Akun kiinnittäminen ja poistaminen (kuva B)**KC2000**

- ◆ Kiinnitä akku (5) asettamalla se koneen liitännän kanssa samaan linjaan. Liu'uta akkua liitännään, kunnes se lukittuu paikalleen.
- ◆ Poista akku painamalla kahta vapautusnappia (6) samanaikaisesti, kun vedät akun pois.

KC2002

- ◆ Kiinnitä akku (5) asettamalla se koneen liitännän kanssa samaan linjaan. Liu'uta akkua liitännään, kunnes se lukittuu paikalleen.
- ◆ Poista akku painamalla vapautusnappia (10) samanaikaisesti, kun vedät akkua irti.

Työstöpäiden asentaminen ja poistaminen (kuva C)

Työstöpäät on helppo vaihtaa.

- ◆ Lukitse työkalu laittamalla suunnanvaihtokytkin (2) keskiasentoon.
- ◆ Työstöpään poistamiseksi paina vapautusnappia (3). Ota työstöpää pois.
- ◆ Kiinnitä työstöpää pitämällä sitä kuvan osoittamalla tavalla. Työnnä työstöpäätä työkaluun, kunnes se on kunnolla paikallaan.

Poranterien ja ruuvitaltojen kiinnittäminen ja poistaminen (kuvat A & D)

Pora/ruuvinväänninpää on varustettu lukottomalla kiinnitysistukalla, jonka avulla terän vaihtaminen on helppoa.

- ◆ Lukitse kone laittamalla suunnanvaihtokytkin (2) keskiasentoon (kuva A).
- ◆ Avaa istukka kiertämällä etuosaa (15) toisella kädellä samalla kun pidät takaosasta (16) kiinni toisella kädellä (kuva D).
- ◆ Laita tarvike (17) istukkaan.
- ◆ Kiristä istukka tiukalle kiertämällä etuosaa (15) toisella kädellä samalla kun pidät takaosasta (16) kiinni toisella kädellä.

Koneen ruuvitaltan pidikkeessä (4) on kaksipäinen ruuvitaltta (kuva A).

- ◆ Irrota ruuvitaltta poistamalla se pidikkeestä.
- ◆ Laita ruuvitaltta takaisin painamalla se kunnolla pidikkeeseen.

Sahanterän kiinnittäminen ja poistaminen (kuvat F & G)

- ◆ Lukitse kone laittamalla suunnanvaihtokytkin (2) keskiasentoon (kuva F).
- ◆ Sahanterän asentamiseksi nosta vipua (18) ja pidä sitä tässä asennossa (kuva G).
- ◆ Työnnä sahanterä pidikkeeseen kuvan osoittamalla tavalla. Varmista, että terän hampaat osoittavat eteenpäin.
- ◆ Päästä irti vivusta.
- ◆ Sahanterän poistamiseksi nosta vipua (18) ja vedä terä pois pidikkeestä.

Hiomapaperin kiinnittäminen ja poistaminen (kuvat F & I)

Käytä valmiiksi leikattuja hiomapapereita hiomapäässä.

- ◆ Lukitse kone laittamalla suunnanvaihtokytkin (2) keskiasentoon (kuva F).
- ◆ Ennen uuden paperin kiinnittämistä poista siitä ylimääräiset hiomakärkipaperit (20) (kuva I).
- ◆ Kiinnitä hiomapaperi pitämällä sitä kohti hioma-alustaa kuvan osoittamalla tavalla.
- ◆ Paina paperi tiukasti ja tasaisesti hioma-alustaan varmistaen, että paperissa olevat reiät ovat samalla kohdalla hioma-alustassa olevien reikien kanssa.
- ◆ Poista paperi vetämällä se irti hioma-alustasta.

Varoitus! Älä koskaan käytä hiomapäätä, ellei hiomapaperia tai muuta tarviketta ole kiinnitetty siihen.

Hiomakärkien vaihtaminen (kuvat F & J)

Hiomapapereissa on kaksi vaihtokärkeä. Hiomakärki voidaan kääntää, kun se on kulunut toiselta puolelta. Kun molemmat puolet on käytetty, vaihda kärki.

- ◆ Lukitse kone laittamalla suunnanvaihtokytkin (2) keskiasentoon (kuva F).
- ◆ Kärjen kääntämiseksi poista se, käännä sitä 180° ja paina se takaisin alustaan kuvan osoittamalla tavalla (kuva J).
- ◆ Kärjen vaihtamiseksi poista vanha kärki alustasta ja laita uusi paikoilleen.

Varoitus! Poistaessasi hiomakärkeä varo, ettet irroita hioma-alustan pohjaa.

Käyttö

Varoitus! Anna koneen käydä omaan tahtiinsa.

Älä ylikuormita sitä.

Akun lataaminen (kuva A)

Akku tulee ladata ennen ensimmäistä käyttökertaa ja aina silloin, kun se ei enää tuota riittävästi virtaa toimintoihin, jotka aikaisemmin hoituivat helposti. Uusi akku tai akku, jota ei ole käytetty pitempään aikaan, saavuttaa täyden tehonsa vasta noin viiden latautumis- ja purkautumiskerran jälkeen.

Akku voi lämmetä ladattaessa; tämä on normaalia eikä ole merkinä minkäänlaisesta ongelmasta. Normaalin käytön jälkeen 60 minuutin latausaika antaa riittävän tehon useimpiä käyttökohteita varten. Jos latausta jatketaan 90 minuuttiin asti, käyttöaika voi kasvaa huomattavasti akun ja latausolosuhteiden mukaan.

Varoitus! Älä lataa akkua alle 4 °C tai yli +40 °C asteen lämpötiloissa. Suositeltava latauslämpötila: noin +24 °C.


- ◆ Lataa akku (5) poistamalla se koneesta ja asettamalla se laturiin (12). Akku sopii laturiin vain yhdessä asennossa. Älä laita sitä laturiin väkisin. Varmista, että akku on kunnolla laturissa.
- ◆ Liitä laturi virtalähteeseen.
- ◆ Tarkista, että punainen latausvalo (13) palaa. Mikäli punaisen valon sijasta palaa vihreä latausvalo (14), on akku liian kuuma eikä sitä voi ladata. Jos näin tapahtuu, poista akku laturista, anna sen jäähtyä noin tunnin ajan ja aseta se sitten takaisin.

Noin tunnin lataamisen jälkeen punainen latausvalo (13) sammuu ja vihreä latausvalo (14) syttyy. Akku on nyt latautunut täyteen.

- ◆ Poista akku laturista.

Vääntömomentin tai porausasennon valitseminen (kuva E)

Koneessa on momentin säädin oikean vääntömomentin valitsemiseksi ruuvaukseen.

- ◆ Poraamista varten aseta säädin (7) porausasentoon laittamalla nuoli (21) kohdakkain porausmerkin  kanssa.
- ◆ Ruuvaamista varten aseta säädin haluttuun momenttiin. Jos et tiedä oikeaa momenttia, toimi seuraavalla tavalla:
 - ◆ Aseta säädin (7) asentoon 1.
 - ◆ Kiristä ensimmäinen ruuvi.
 - ◆ Jos momentti ei riitä ruuvien ruuvaukseen, lisää momenttia ja jatka ruuvien kiristämistä. Toista toimenpide, kunnes löydät oikean momentin. Käytä samaa momenttia jäljellä olevien ruuvien kiristämiseen.

Pyörimissuunnan valitseminen (kuva A)

Poraamiseen, sahaamiseen, hiomiseen ja ruuvien kiristämiseen käytetään eteenpäin (myötäpäivään) suuntautuvaa pyörimisliikettä. Käytä taaksepäin (vastapäivään) suuntautuvaa pyörimisliikettä ruuvien tai jumiutuneen poranterän irrottamiseen.

- ◆ Valitse pyörimissuunnaksi eteenpäin siirtämällä suunnanvaihtokytkin (2) vasemmalle.
- ◆ Valitse pyörimissuunnaksi taaksepäin siirtämällä suunnanvaihtokytkin (2) oikealle.
- ◆ Lukitse kone asettamalla suunnanvaihtokytkin keskiasentoon.

Poraaminen ja ruuvaaminen (kuva A)

- ◆ Valitse suunnanvaihtokytkimellä (2) pyörimissuunnaksi eteen- tai taaksepäin.
- ◆ Käynnistä kone painamalla virrankatkaisijaa (1). Koneen nopeus riippuu siitä, kuinka paljon virrankatkaisijaa painetaan.
- ◆ Sammuta kone päästämällä irti virrankatkaisijasta (1).

Sahauskulman säätäminen (kuvat F & H)

Sahausjalka voidaan asettaa 0°:n (suora) ja 45°:n (oikea jiiraus) sahauskulmiin.

- ◆ Lukitse kone laittamalla suunnanvaihtokytkin (2) keskiasentoon (kuva F).
- ◆ Löysää ruuvia (19), kunnes sahausjalka liikkuu vapaasti (kuva H).
- ◆ Vedä sahausjalkaa eteenpäin ja kallista se haluttuun kulmaan.
- ◆ Kiristä ruuvi (19).

Sahaaminen (kuva F)

- ◆ Valitse hiomissuunnaksi eteenpäin painamalla suunnanvaihtokytkintä (2) vasemmalle.
- ◆ Käynnistä kone painamalla lukitusnappia (9) sekä virrankatkaisijaa samanaikaisesti (1). Koneen nopeus riippuu siitä, kuinka paljon virrankatkaisijaa painetaan.
- ◆ Päästä irti lukitusnapista (9).
- ◆ Sammuta kone päästämällä irti virrankatkaisijasta (1).

Hiominen (kuva A)

- ◆ Valitse hiomissuunnaksi eteenpäin painamalla suunnanvaihtokytkintä (2) vasemmalle.
- ◆ Käynnistä kone painamalla virrankatkaisijaa (1). Koneen nopeus riippuu siitä, kuinka paljon virrankatkaisijaa painetaan.
- ◆ Sammuta kone päästämällä irti virrankatkaisijasta (1).

Vinkkejä parhaimman tuloksen saamiseksi

Poraaminen

- ◆ Paina terää kevyesti suoraan työstökappaletta kohti.
- ◆ Vähennä koneen painamista juuri ennen kuin terän kärki tulee ulos työstökappaleen toiselta puolelta.
- ◆ Käytä puunpalaa työstökappaleen alla halkeilun estämiseksi.
- ◆ Käytä litteää puuporanterää poratessasi suuria reikiä puuhun.
- ◆ Käytä HSS-teriä (pikaterästeriä) poratessasi metallia.
- ◆ Käytä betoniteriä poratessasi betonia.
- ◆ Käytä voiteluainetta poratessasi muita metalleja kuin valurautaa tai messinkiä.
- ◆ Tee pistepuikolla aloitusreikä porattavan reiän keskikohtaan, niin porauksen tarkkuus paranee.

Ruuvaaminen

- ◆ Käytä aina oikean mallista ja -kokoista ruuvitalttaa.
- ◆ Jos ruuvia on hankala kiristää, voidaan voiteluaineena käyttää hiukan nestemäistä pesuainetta tai saippuaa.
- ◆ Pidä konetta ja ruuvitalttaa aina kohtisuorassa ruuviin nähden.

Sahaus

- ◆ Käytä aina sahanterää, joka sopii työstettävään materiaaliin sekä haluttuun sahausjälkeen.
- ◆ Poraava tarvittaessa reikä lähelle sahauskeskustaan.

Sahaustaessa puusia kappaleita aloitusreiän teko ei ole tarpeellista.

- ◆ Merkitse haluttu aloituskohta.
- ◆ Kallista konetta eteenpäin ja laita sahausjalan pyörästetty etureuna työstökappaleeseen.
- ◆ Käynnistä kone ja työnnä sahanterää hitaasti työstökappaleeseen halutusta aloituskohdasta lähtien.

Pellin sahaaminen:

- ◆ Kiinnitä pala vaneria tai pehmeää puuta työstettävän kappaleen taakse ja sahaa molempien läpi.
- ◆ Näin saat siistimmän sahausjäljen. Älä pakota sahanterää työstökappaleeseen. Muista, että pellin sahaaminen kestää kauemmin kuin paksujen puisten työstökappaleiden sahaaminen.
- ◆ Levitä ohut kerros öljyä sahauslinjalle ennen sahaamisen aloittamista.
- ◆ Aloita sahaaminen käynnistämällä kone ja vie konetta alaspäin, kunnes sahanterä on tarkalleen aloituskohdan yläpuolella. Laita sahausjalka kohti työstökappaletta. Aloita sahaus, kun sahausjalan etuosa on työstökappaleen päällä.

Laminaattien sahaaminen:

- ◆ Sahaa ohuet laminaattilevyt alapuoli ylöspäin, koska levy voi lohkeilla sahaa vasten olevalta pinnalta.
- ◆ Siistin sahausjäljen saamiseksi kiinnitä pala vaneria tai kovaa puukuitulevyä laminaatin molemmille puolille. Sahaa kaikkien kerroksien läpi.

Hiominen

- ◆ Älä paina konetta liikaa.
- ◆ Tarkista hiomapaperi säännöllisesti. Vaihda se tarvittaessa.
- ◆ Hiottaessa maalikerrosten välillä käytä erittäin hienoa hiomapaperia.
- ◆ Aloita karkealla hiomapaperilla hioessasi epätasaisia pintoja tai poistaessasi maalia. Kun hiot muunlaisia pintoja, aloita keskikarkealla hiomapaperilla. Molemmissa tapauksissa vaihda asteittain hienompaan hiomapaperiin tasaisen pinnan saamiseksi.

- ◆ Lisätietoja muista tarvikkeista hiomiseen, kiillottamiseen ja pintojen poistoon saat jälleenmyyjältäsi.

Huolto

Black & Deckerin kone on suunniteltu toimimaan mahdollisimman pitkän aikaa mahdollisimman vähällä huollolla. Oikealla huollolla ja säännöllisellä puhdistuksella kone säilyttää suorituskykynsä.

Laturi ei tarvitse säännöllisen puhdistamisen lisäksi minkään muunlaista huoltoa.

Varoitus! Poista akku ennen työkalun huoltamista.

Irrota laturi virtalähteestä ennen puhdistamista.

- ◆ Puhdista koneen ja laturin ilma-aukot säännöllisesti pehmeällä harjalla tai kuivalla rievulla.
- ◆ Puhdista työkalun kuori säännöllisesti kostealla rievulla. Älä koskaan käytä puhdistamiseen liuotainaineita tai syövyttäviä puhdistusaineita.
- ◆ Avaa istukka säännöllisin väliajoin ja kopauta sitä pölyjen poistamiseksi sisältä.
- ◆ Tipauta säännöllisesti tippa öljyä sahauspään ohjausrullaan (22) (kuva K).

Ympäristö

Kone



Kun koneesi on käytetty loppuun, älä heitä sitä tavallisten roskien mukana pois, vaan vie se paikkakuntasi kierrätyskeskukseen tai jätä valtuutettuun Black & Deckerin huoltoliikkeeseen.

Akut



Black & Deckerin akut voidaan ladata useita kertoja. Suojele luontoa viemällä loppuunkäytetyt akut niille tarkoitettuun keräyspaikkaan tai -astiaan.

- ◆ Käytä akku täysin loppuun ja poista se sitten työkalusta.
- ◆ NiCD ja NiMH -akut ovat kierrätettäviä. Voit viedä ne niille tarkoitettuun keräysastiaan tai paikalliseen kierrätyskeskukseen. Kerätyt akut toimitetaan kierrätykseen ja käsitellään asianmukaisesti.

Tekniset tiedot

		KC2000	KC2002
Jännite	V _{DC}	12	14,4
Akun tuotenro		A9275	\$
Pora/ruuvinväännin:			
Kuormittamaton nopeus	min ⁻¹	0 - 700	0 - \$
Max. vääntömomentti	Nm	6,2	\$
Istukka	mm	10	10

Max. porausteho teräs/puu	mm	10/25	10/25
Pistosaha:			
Kuormittamaton nopeus	min ⁻¹	0 - 3.000	0 - 3.000
Max. sahausvyvyys puuhun	mm	38	38
Sahauskulmat		0°, 45°	0°, 45°
Hiomakone:			
Hiomaliikkeitä (kuormittamaton)	min ⁻¹	0 - 8.000	0 - 8.000

Akku	A9275	\$
Jännite	V _{DC} 12	14,4
Teho	Ah 1,5	\$

Laturi	
Jännite	V _{AC} 230
Latausaika (noin)	h 1

CE-vaatimustenmukaisuusvakuutus

Black & Decker vakuuttaa, että nämä työkalut ovat EN 50260, EN 55014-1, EN 55014-2, EN 61000-3-2, EN 61000-3-3, EN 60335 mukaiset.

L_{PA} (äänenpaine): 82 dB(A), L_{WA} (ääniteho) 95 dB(A),
tärinätaajuuden painotettu geometrinen keskiarvo 5.3 m/s²



Colin Wills
Director of Engineering
BDCI, 4/F, 2 Dai Wang Street
Tai Po Industrial Estate
Tai Po NT, Hong Kong

Korjaukset / varaosat

Mikäli koneeseen tulee vikaa, jätä se aina Black & Deckerin valtuuttamaan huoltoliikkeeseen korjattavaksi (tiedot löytyvät uusimmasta tuoteluettelostamme tai ottamalla yhteyttä Black & Decker Oy:hyn). Varaosia myyvät valtuutetut Black & Deckerin huoltoliikkeet, ja heiltä voi myös pyytää kustannusarvion koneen korjauksesta.

Tiedot valtuutetuista huoltoliikkeistä löytyvät myös internetistä osoitteesta www.2helpU.com sekä kotisivuiltamme www.blackdecker.fi.

Takuu

Black & Decker Oy takaa, ettei koneessa ollut materiaali- ja/ tai valmistusvikaa silloin, kun se toimitettiin ostajalle. Takuu on lisäys kuluttajan laillisiin oikeuksiin eikä vaikuta niihin. Takuu on voimassa Euroopan Unionin jäsenmaissa ja Euroopan vapaakauppa-alueella (EFTA).

Mikäli Black & Decker -kone hajoaa materiaali- ja/ tai valmistusvirheen tai teknisten tietojen epätarkkuuden vuoksi 24 kk:n kuluessa ostopäivästä, Black & Decker korjaa koneen ilman kustannuksia ostajalle tai vaihtaa sen uuteen Black & Decker Oy:n valinnan mukaan.

Takuu ei kata vikoja, jotka johtuvat koneen

- ◆ normaalista kulumisesta
- ◆ ylikuormituksesta, virheellisestä käytöstä tai hoidosta
- ◆ vahingoittamisesta vieraalla esineellä tai aineella tai onnettomuustapauksessa.

Takuu ei ole voimassa, mikäli konetta on korjannut joku muu kuin Black & Deckerin valtuuttama huoltoliike.

Edellytyksenä takuun saamiselle on, että ostaja jättää koneen ja ostokuitin jälleenmyyjälle tai valtuutetulle huoltoliikkeelle viimeistään 2 kuukauden kuluessa vian ilmenemisestä. Tiedot valtuutetuista huoltoliikkeistä saa ottamalla yhteyttä Black & Decker Oy:hyn sekä internetistä osoitteesta www.2helpU.com, jossa on myös takuehdot.

Ενδεδειγμένη χρησιμοποίηση

Το εργαλείο πολλών χρήσεων της Black & Decker έχει σχεδιαστεί για μία μεγάλη γκάμα εφαρμογών μαστορέματος. Με τη χρήση της κεφαλής δραπενοκατσάβιδου, το εργαλείο αυτό μπορεί να χρησιμοποιηθεί σε εφαρμογές βιδώματος και για διάτρηση σε ξύλο, μέταλλο, πλαστικά και μαλακά δομικά υλικά. Με τη χρήση της κεφαλής σέγας, το εργαλείο αυτό μπορεί να χρησιμοποιηθεί για το πριόνισμα ξύλου, μετάλλου και πλαστικών. Με τη χρήση της κεφαλής τριβείου, το εργαλείο αυτό μπορεί να χρησιμοποιηθεί για τη λείανση ξύλου, μετάλλου, πλαστικού και βαμμένων επιφανειών. Αυτό το εργαλείο προορίζεται μόνο για ερασιτεχνική χρήση. Ο φορτιστής της Black & Decker έχει σχεδιαστεί για να φορτίζει μπαταρίες Black & Decker του τύπου που παρέχονται με αυτό το εργαλείο.

Οδηγίες ασφαλείας

- ♦ **Προσοχή!** Κατά τη χρήση επαναφορτιζόμενων εργαλείων, θα πρέπει πάντα να λαμβάνονται οι βασικές προφυλάξεις ασφαλείας, για τον περιορισμό του κινδύνου πυρκαγιάς, διαρροής υγρού από μπαταρίες, σωματικών βλαβών και υλικών ζημιών.
- ♦ Πριν χρησιμοποιήσετε το εργαλείο διαβάστε προσεκτικά τις παρακάτω οδηγίες.
- ♦ Φυλάξτε το εγχειρίδιο αυτό για μελλοντική αναφορά.

Διατηρείτε καθαρό το χώρο εργασίας

Ακατάστατοι χώροι και πάγκοι εγκυμονούν κίνδυνο τραυματισμού.

Λάβετε υπ' όψη τις επιδράσεις του περιβάλλοντος

Μην εκθέτετε ηλεκτρικά εργαλεία σε υγρασία. Φροντίστε η περιοχή εργασίας να είναι καλά φωτισμένη. Μη χρησιμοποιείτε το εργαλείο αν υπάρχει κίνδυνος να προκληθεί πυρκαγιά ή έκρηξη, π.χ. κοντά σε εύφλεκτα υγρά και αέρια.

Κρατάτε τα παιδιά σε απόσταση

Μην επιτρέπετε σε παιδιά, επισκέπτες ή ζώα να πλησιάζουν στο χώρο εργασίας ή να αγγίζουν το εργαλείο.

Φοράτε τα κατάλληλα ρούχα εργασίας

Μη φοράτε φαρδιά ρούχα ή κοσμήματα. Υπάρχει πιθανότητα να πιαστούν σε κινούμενα μέρη μηχανών. Για υπαίθριες εργασίες συνιστώνται λαστιχένια γάντια και υποδήματα που δε γλιστρούν. Εάν έχετε μακριά μαλλιά φοράτε προστατευτικό διχτάκι.

Ατομική προστασία

Φορέστε προστατευτικά γυαλιά. Φορέστε μάσκα προσώπου ή προστασίας από τη σκόνη, στις περιπτώσεις που η εργασία ενδέχεται να προκαλέσει την παραγωγή σκόνης ή αιωρούμενων σωματιδίων. Φοράτε ωτασπίδες σε περιπτώσεις που η στάθμη του θορύβου σας προκαλεί δυσφορία.

Μη σκύβετε πάρα πολύ

Φροντίστε πάντοτε να έχετε την κατάλληλη στάση και να διατηρείτε την ισορροπία σας.

Να είστε πάντα προσεκτικοί

Παρακολουθείτε την εργασία σας. Ενεργείτε λογικά.

Μη χρησιμοποιείτε το εργαλείο όταν είστε κουρασμένος.

Στηρίξτε με ασφαλή τρόπο το αντικείμενο στο οποίο εργάζεστε

Χρησιμοποιείτε σφιγκτήρες ή μέγγενη για το σκοπό αυτό. Η μέθοδος αυτή είναι ασφαλέστερη και ελευθερώνει και τα δύο σας χέρια για το χειρισμό του εργαλείου.

Συνδέστε τη συσκευή αφαίρεσης σκόνης

Εάν παρέχονται συσκευές για τη σύνδεση συσκευών αφαίρεσης και συλλογής σκόνης, βεβαιωθείτε ότι η σύνδεση και η χρήση τους γίνεται με τον ενδεδειγμένο τρόπο.

Απομακρύνετε από το μηχάνημα τα κλειδιά που χρησιμοποιείτε για τη ρύθμισή του

Πριν βάλετε σε λειτουργία το εργαλείο, βεβαιωθείτε πάντα ότι έχετε βγάλει από αυτό τα κλειδιά για τη ρύθμισή του.

Χρησιμοποιείτε το σωστό εργαλείο

Η ενδεδειγμένη χρησιμοποίηση αναφέρεται σε αυτές τις οδηγίες χρήσεως. Μη χρησιμοποιείτε εργαλεία χαμηλής ισχύος ή προσθήκες για βαριές εργασίες. Το εργαλείο σας θα λειτουργήσει επιτυχέστερα και ασφαλέστερα εάν χρησιμοποιηθεί σύμφωνα με της προδιαγραφές του. Μη ζορίζετε το εργαλείο. **Προσοχή!** Τόσο η χρήση εξαρτημάτων ή προσθηκών όσο και η πραγματοποίηση εργασιών που δεν συνιστώνται στις οδηγίες αυτές εγκυμονεί κίνδυνο τραυματισμού.

Ελέγχετε εάν το εργαλείο σας έχει θλάβες

Πριν από τη χρήση, ελέγξτε προσεκτικά το εργαλείο για τυχόν ζημιές. Ελέγξτε για τυχόν κακή ευθυγράμμιση και εμπλοκή των κινούμενων μερών, για μέρη που έχουν σπάσει, για τυχόν ζημιές στους προφυλακτήρες και τους διακόπτες, και γενικά κάθε είδους συνθήκες οι οποίες ενδέχεται να επηρεάσουν τη λειτουργία του εργαλείου. Βεβαιωθείτε ότι το εργαλείο λειτουργεί κανονικά και χρησιμοποιείται για το σκοπό για τον οποίο προορίζεται. Μη χρησιμοποιείτε το εργαλείο αν κάποιο εξάρτημά του παρουσιάζει ελάττωμα. Μη χρησιμοποιείτε το εργαλείο, εάν ο διακόπτης δεν μπορεί να το θέσει εντός ή εκτός λειτουργίας. Φροντίστε για την επισκευή ή αντικατάσταση τυχόν ελαττωματικών εξαρτημάτων από εξουσιοδοτημένο κέντρο επισκευών. Ποτέ μην επιχειρήσετε να επισκευάσετε οι ίδιοι το εργαλείο.

Αφαιρέστε τη μπαταρία

Αφαιρέστε τη μπαταρία όταν το εργαλείο δεν χρησιμοποιείται, προτού αλλάξετε οποιοδήποτε ανταλλακτικό, παρελκόμενο ή εξάρτημα του εργαλείου, και πριν από τη συντήρησή του.

Αποφύγετε την τυχαία εκκίνηση του εργαλείου

Μη μεταφέρετε το εργαλείο έχοντας το δάκτυλό σας πάνω στο διακόπτη εκκίνησης. Βεβαιωθείτε ότι κατά την εισαγωγή της μπαταρίας, το εργαλείο είναι σβηστό.

Μην κακομεταχειρίζεστε το καλώδιο

Ποτέ μη μεταφέρετε το φορτιστή κρατώντας τον από το καλώδιο και μην τον τραβάτε από το καλώδιο για να το βγάλετε από την πρίζα. Φροντίστε το καλώδιο να παραμένει μακριά από τη θερμότητα, τα λάδια και από αιχμηρές ακμές.

Φυλάγετε τα εργαλεία σας σε ασφαλές μέρος

Όταν δεν χρησιμοποιούνται, τα εργαλεία, φορτιστές και οι μπαταρίες πρέπει να αποθηκεύονται σε ξηρό χώρο, μακριά από τα παιδιά.

Συντηρήστε προσεκτικά τα εργαλεία

Φροντίστε τα εργαλεία σας να είναι κοφτερά και καθαρά, ώστε να προσφέρουν υψηλή απόδοση και ασφάλεια κατά τη χρήση τους. Ακολουθήστε τις σχετικές οδηγίες σε ότι αφορά τη συντήρηση και την αλλαγή των εξαρτημάτων. Φροντίστε οι λαβές και οι διακόπτες να είναι στεγνοί, καθαροί και χωρίς λάδια ή γράσα.

Επισκευές

Το εργαλείο αυτό συμμορφώνεται με τις σχετικές προϋποθέσεις ασφαλείας. Οι επισκευές θα πρέπει να γίνονται μόνο από ειδικευμένους τεχνικούς και με τη χρήση αποκλειστικά γνήσιων ανταλλακτικών, διαφορετικά υπάρχει το ενδεχόμενο σοβαρού κινδύνου για το χρήστη.

Επιπρόσθετες οδηγίες ασφαλείας για μπαταρίες και φορτιστές**Μπαταρίες**

- ◆ Μην επιχειρήσετε ποτέ να την ανοίξετε, για κανένα λόγο.
- ◆ Μην την εκθέτετε σε νερό.
- ◆ Μην την αποθηκεύετε σε χώρους όπου η θερμοκρασία μπορεί να υπερβεί τους 40 °C.
- ◆ Να τη φορτίζετε μόνο σε θερμοκρασία περιβάλλοντος μεταξύ 4 °C και 40 °C.
- ◆ Η φόρτιση πρέπει να γίνεται μόνο με το φορτιστή που συμπεριλαμβάνεται με το εργαλείο (βλ. τεχνικά χαρακτηριστικά).
- ◆ Πριν από τη φόρτιση, βεβαιωθείτε ότι η μπαταρία είναι στεγνή και καθαρή.
- ◆ Χρησιμοποιήστε μόνο το σωστό για το εργαλείο τύπο μπαταρίας (βλ. τεχνικά χαρακτηριστικά).
- ◆ Σε ότι αφορά την απόρριψη των μπαταριών, ακολουθήστε τις οδηγίες που παρατίθενται στην ενότητα "Περιβάλλον".
- ◆ Σε περίπτωση έκθεσης σε ακραίες συνθήκες, η μπαταρία ενδέχεται να παρουσιάσει διαρροή. Αν παρατηρήσετε υγρά στην μπαταρία, ενεργήστε ως ακολούθως:
 - Σκουπίστε προσεκτικά τα υγρά με ένα πανί. Αποφύγετε την επαφή με το δέρμα.
 - Σε περίπτωση επαφής με το δέρμα ή τα μάτια, ακολουθήστε τις παρακάτω οδηγίες.

Προσοχή! Το υγρό μπαταριών, ένα διάλυμα 25-30% υδροξειδίου του καλίου, μπορεί να είναι βλαβερό. Σε περίπτωση δερματικής επαφής, ξεπλύνετε αμέσως με νερό. Εξουδετερώστε με ήπιο οξύ όπως χυμός λεμονιού ή ξίδι. Σε περίπτωση επαφής με τα μάτια, ξεπλύνετε με άφθονο καθαρό νερό για 10 λεπτά τουλάχιστον. Συμβουλευτείτε γιατρό.



Κίνδυνος πυρκαϊάς! Αποφεύγετε βραχυκύκλωμα με μέταλλο των επαφών της μπαταρίας (π.χ. κλειδιά που είναι στην ίδια τσέπη με την μπαταρία).



Μην καίτε την μπαταρία.



Μην φορτίζετε κατεστραμμένες μπαταρίες.

Φορτιστές

- ◆ Χρησιμοποιήστε μόνο το φορτιστή της Black & Decker για τη φόρτιση μπαταριών του τύπου που συνοδεύει το εργαλείο σας. Σε άλλες μπαταρίες ενδέχεται να σημειωθεί διάρρηξή τους, προκαλώντας τραυματισμό και ζημιά.
- ◆ Μην επιχειρήσετε ποτέ να επαναφορτίσετε μη επαναφορτιζόμενες μπαταρίες.
- ◆ Αντικαταστήστε αμέσως τα ελαττωματικά καλώδια.
- ◆ Μην τον εκθέτετε σε νερό.
- ◆ Μην ανοίγετε το φορτιστή.
- ◆ Μην σκαλίζετε το φορτιστή.



Προορίζεται μόνο για χρήση σε κλειστούς χώρους.

Συμπληρωματικές οδηγίες ασφαλείας για δραπενοκατσάβιδα

- ◆ Πριν από τη διάτρηση τοίχων, δαπέδων ή οροφών, εντοπίστε τις θέσεις όπου βρίσκονται καλώδια και σωληνώσεις.
- ◆ Αποφύγετε να αγγίξετε τη μύτη ενός τρυπανιού αμέσως μετά τη διάτρηση, καθώς ενδέχεται να είναι πολύ ζεστή.

Συμπληρωματικές οδηγίες ασφαλείας για σέγες

- ◆ Να χρησιμοποιείτε πάντα τον ενδεδειγμένο τύπο πριονόλαμας για το συγκεκριμένο τεμάχιο εργασίας και για το είδος της κοπής.
- ◆ Να χρησιμοποιείτε μόνο πριονόλαμες που βρίσκονται σε άριστη κατάσταση.
- ◆ Να σβήνετε πάντα το εργαλείο και να περιμένετε να σταματήσει η πριονόλαμα τελείως πριν ακουμπήσετε το εργαλείο κάτω.
- ◆ Κατά την εργασία, φροντίστε τα χέρια σας να βρίσκονται αρκετά μακριά από την πριονόλαμα.
- ◆ Όπου είναι δυνατό, χρησιμοποιείτε σφινκτήρες ή μέγγενη για να στερεώσετε το τεμάχιο εργασίας σας.

Συμπληρωματικές οδηγίες ασφαλείας για τριβεία

- ◆ Κατά τη λείανση, φορέστε - κατά προτίμηση - μια μάσκα προστασίας από τη σκόνη.
- ◆ Μετά τη λείανση, καθαρίστε καλά τη σκόνη.

- ♦ Να προσέχετε ιδιαίτερα κατά τη λείανση χρωμάτων, τα οποία ενδέχεται να έχουν βάση μολύβδου ή κατά τη λείανση ορισμένων ειδών ξύλου ή μετάλλου, τα οποία ενδέχεται να παράγουν τοξική σκόνη.
 - Φορέστε μάσκα σκόνης ειδικά σχεδιασμένη για προστασία έναντι της σκόνης και των αναθυμιάσεων μολύβδου και βεβαιωθείτε ότι τα άτομα που βρίσκονται μέσα ή εισέρχονται στο χώρο εργασίας είναι επίσης προστατευμένα.
 - Μην επιτρέπετε σε παιδιά ή εγκύους να εισέρχονται στο χώρο εργασίας.
 - Μην τρώτε, πίνετε ή καπνίζετε στο χώρο εργασίας.
 - Απορρίψτε σωστά τα σωματίδια της σκόνης και τα άλλα υπολείμματα.

Ηλεκτρική ασφάλεια

Βεβαιωθείτε ότι η τάση του φορτιστή σας αντιστοιχεί με την τάση του δικτύου σας.



Ο φορτιστής σας φέρει διπλή μόνωση κατά EN 60335. Κατά συνέπεια δε χρειάζεται καλώδιο γείωσης.

ΓΕΝΙΚΗ ΠΕΡΙΓΡΑΦΗ (εικ. Α)

Μονάδα μοτέρ

1. Διακόπτης μεταβλητής ταχύτητας
2. Συρόμενος διακόπτης εμπρός / πίσω
3. Μπουτόν απελευθέρωσης κεφαλής
4. Υποδοχή μύτης
5. Μπαταρία
6. Κουμπιά απελευθέρωσης για μπαταρία

Κεφαλή δραπενοκατσάβιδου

7. Κολάρο ρύθμισης ροπής
8. Τσοκ

Κεφαλή σέγας

9. Διακόπτης απασφάλισης
10. Πέλμα πριονιού

Κεφαλή τριβείου

11. Βάση λείανσης

Φορτιστής

12. Φορτιστής
13. Ενδειξη φόρτισης
14. Ενδειξη τέλους φόρτισης

Συναρμολόγηση

Προσοχή! Πριν από τη συναρμολόγηση, αφαιρείτε πάντα την μπαταρία.

Τοποθέτηση και αφαίρεση της μπαταρίας (εικ. Β)

ΚC2000

- ♦ Για να τοποθετήσετε την μπαταρία (5), ευθυγραμμίστε την με την υποδοχή πάνω στο εργαλείο. Ολισθήστε την μπαταρία μέσα στην υποδοχή και σπρώξτε μέχρις ότου η μπαταρία κουμπώσει στη θέση της.
- ♦ Για να αφαιρέσετε τη μπαταρία, σπρώξτε μαζί και τα δύο κουμπιά απελευθέρωσης (6) ενώ ταυτόχρονα τραβάτε τη μπαταρία έξω από την υποδοχή.

ΚC2002

- ♦ Για να τοποθετήσετε την μπαταρία (5), ευθυγραμμίστε την με την υποδοχή πάνω στο εργαλείο. Ολισθήστε την μπαταρία μέσα στην υποδοχή και σπρώξτε μέχρις ότου η μπαταρία κουμπώσει στη θέση της.
- ♦ Για να αφαιρέσετε τη μπαταρία, σπρώξτε το κουμπί απελευθέρωσης (10) και τραβήξτε ταυτόχρονα τη μπαταρία έξω από την υποδοχή.

Τοποθέτηση και αφαίρεση των κεφαλών του εργαλείου (εικ. C)

Οι επιμέρους κεφαλές του εργαλείου αντικαθίστανται εύκολα.

- ♦ Ασφαλίστε το εργαλείο, θέτοντας το συρόμενο διακόπτη λειτουργίας εμπρός/ανάποδα (2) στην κεντρική θέση.
- ♦ Για να αφαιρέσετε μια κεφαλή του εργαλείου, πατήστε το μπουτόν απελευθέρωσης της κεφαλής (3) και αφαιρέστε την κεφαλή από το εργαλείο.
- ♦ Για να τοποθετήσετε μια κεφαλή του εργαλείου, ευθυγραμμίστε την με το εργαλείο όπως απεικονίζεται και σπρώξτε την πάνω στο εργαλείο μέχρι να κουμπώσει στη θέση της.

Τοποθέτηση και αφαίρεση τρυπανιού ή μύτης κατασαβιδιού (εικ. Α & D)

Η κεφαλή δραπενοκατσάβιδου διαθέτει τσοκ χωρίς κλειδί ώστε να διευκολύνεται η αλλαγή εξαρτημάτων.

- ♦ Ασφαλίστε το εργαλείο, θέτοντας το συρόμενο διακόπτη λειτουργίας εμπρός/ανάποδα (2) στη μεσαία θέση (εικ. Α).
- ♦ Ανοίξτε στο τσοκ, γυρίζοντας το μπροστινό μέρος του (15) με το ένα χέρι και ταυτόχρονα κρατώντας το πίσω μέρος (16) με το άλλο (εικ. D).
- ♦ Εισάγετε τον άξονα της μύτης (17) μέσα στο τσοκ.
- ♦ Σφίξτε καλά το τσοκ, γυρίζοντας το μπροστινό μέρος του (15) με το ένα χέρι ενώ κρατάτε το πίσω μέρος (16) με το άλλο.

Το εργαλείο αυτό συνοδεύεται με μύτη κατασαβιδιού διπλής όψης στην υποδοχή μύτης (4) (εικ. Α).

- ♦ Για να αφαιρέσετε τη μύτη του κατασαβιδιού από την υποδοχή, ανασηκώστε τη μύτη από την εσοχή.
- ♦ Για να αποθηκεύσετε τη μύτη του κατασαβιδιού, πιέστε την καλά πάνω στην υποδοχή.

Τοποθέτηση και αφαίρεση πριονόλαμας (εικ. F & G)

- ◆ Ασφαλίστε το εργαλείο, θέτοντας το συρόμενο διακόπτη λειτουργίας εμπρός/ανάποδα (2) στη μεσαία θέση (εικ. F).
- ◆ Για να τοποθετήσετε την πριονόλαμα, ανασηκώστε το μοχλό (18) και συγκρατήστε τον στη θέση αυτή (εικ. G).
- ◆ Εισάγετε την πριονόλαμα μέσα στην υποδοχή όπως απεικονίζεται. Βεβαιωθείτε ότι τα δόντια είναι στραμμένα προς τα εμπρός.
- ◆ Απελευθερώστε το μοχλό.
- ◆ Για να αφαιρέσετε την πριονόλαμα, ανασηκώστε το μοχλό (18) και τραβήξτε την πριονόλαμα από την υποδοχή.

Τοποθέτηση και αφαίρεση φύλλων γυαλόχαρτου (εικ. F & I)

Η κεφαλή τριβείου χρησιμοποιεί έτοιμα κομμένα φύλλα γυαλόχαρτου.

- ◆ Ασφαλίστε το εργαλείο, θέτοντας το συρόμενο διακόπτη λειτουργίας εμπρός/ανάποδα (2) στη μεσαία θέση (εικ. F).
- ◆ Πριν τοποθετήσετε ένα καινούργιο φύλλο, αφαιρέστε τις δύο πρόσθετες διαμαντέ μύτες (20) (εικ. I).
- ◆ Για να τοποθετήσετε ένα φύλλο γυαλόχαρτου, ευθυγραμμίστε το με τη βάση λείανσης, όπως απεικονίζεται.
- ◆ Πατήστε το φύλλο καλά και ομοιόμορφα πάνω στη βάση λείανσης, και βεβαιωθείτε ότι οι οπές του φύλλου συμπίπτουν με τις οπές της βάσης.
- ◆ Για να αφαιρέσετε το φύλλο, τραβήξτε το από την πλάτη λείανσης.

Προσοχή! Ποτέ μη χρησιμοποιείτε την κεφαλή τριβείου χωρίς να έχετε τοποθετήσει φύλλο γυαλόχαρτου ή κάποιο παρελκόμενο.

Αντικατάσταση της διαμαντέ μύτης λείανσης (εικ. F & J)

Τα γυαλόχαρτα συνοδεύονται από δύο ανταλλακτικές διαμαντέ μύτες. Η διαμαντέ μύτη μπορεί να γυρίσει από την άλλη πλευρά όταν φθαρεί. Όταν φθαρούν και οι δύο πλευρές, πρέπει να αντικαταστήσετε τη διαμαντέ μύτη.

- ◆ Ασφαλίστε το εργαλείο, θέτοντας το συρόμενο διακόπτη λειτουργίας εμπρός/ανάποδα (2) στη μεσαία θέση (εικ. F).
- ◆ Για να γυρίσετε τη μύτη από την άλλη πλευρά, αφαιρέστε την, γυρίστε την κατά 180° και ξαναπιέστε την πάνω στη βάση όπως απεικονίζεται (εικ. J).
- ◆ Για να αντικαταστήσετε τη μύτη, τραβήξτε και βγάλτε την παλιά μύτη από τη βάση και πιέστε μια καινούργια πάνω στη βάση.

Προσοχή! Κατά την αφαίρεση της μύτης από την επιφάνεια επαφής, προσέξτε να μην αποκολλήσετε την επιφάνεια επαφής από τη βάση λείανσης.

Χρήση

Προσοχή! Αφήστε το εργαλείο να λειτουργήσει στο δικό του ρυθμό και μην το υπερφορτώνετε.

Φόρτιση της μπαταρίας (εικ. A)

Η μπαταρία πρέπει να φορτιστεί πριν από την πρώτη χρήση της και σε κάθε περίπτωση που αδυνατεί να αποδώσει επαρκή ισχύ για εργασίες οι οποίες σε άλλη περίπτωση γίνονταν με ευχέρεια. Μία καινούρια μπαταρία, ή μία μπαταρία που δεν έχει χρησιμοποιηθεί για μεγάλο χρονικό διάστημα, επιτυγχάνει πλήρη απόδοση μόνο ύστερα από 5 περίπου κύκλους φόρτισης και εκφόρτισης. Η μπαταρία μπορεί να ζεσταθεί κατά τη φόρτισή της. Αυτό είναι φυσιολογικό και δεν είναι ενδεικτικό κάποιου προβλήματος. Μετά από κανονική χρήση, ο χρόνος φόρτισης των 60 λεπτών είναι αρκετός για να παρέχει επαρκή ισχύ στις περισσότερες συσκευές. Όσο, ο μεγαλύτερος χρόνος φόρτισης, έως και 90 λεπτά, αυξάνει σημαντικά τον χρόνο χρήσης, ανάλογα τη μπαταρία και τις συνθήκες φόρτισης.

Προσοχή! Μη φορτίζετε τη μπαταρία σε θερμοκρασίες περιβάλλοντος κάτω των 4 °C ή άνω των 40 °C. Συνιστώμενη θερμοκρασία φόρτισης: περίπου 24 °C.

- ◆ Για να φορτίσετε τη μπαταρία (5), αφαιρέστε την από το εργαλείο και τοποθετήστε την στο φορτιστή (12). Η μπαταρία μπαίνει στο φορτιστή κατά ένα τρόπο και μόνο. Μην ασκείτε πίεση. Βεβαιωθείτε ότι η μπαταρία έχει εφαρμόσει καλά στο φορτιστή.
- ◆ Συνδέστε το φορτιστή με την πρίζα.
- ◆ Ελέγξτε αν ανάβει η κόκκινη ένδειξη φόρτισης (13). Αν αντί για την κόκκινη ένδειξη, ανάψει τώρα η πράσινη ένδειξη τέλους φόρτισης (14), η μπαταρία είναι ιδιαίτερα ζεστή και δεν μπορεί να φορτιστεί. Αν συμβεί αυτό, αφαιρέστε την μπαταρία από το φορτιστή, αφήστε την να κρυώσει για 1 ώρα περίπου και μετά βάλτε την και πάλι στο φορτιστή.

Μετά από περίπου 1 ώρα φόρτισης, ο κόκκινος δείκτης φόρτισης (13) θα σταματήσει να είναι αναμμένος και θα ανάψει ο πράσινος δείκτης τέλους φόρτισης (14). Η μπαταρία είναι πλέον τελείως φορτισμένη.

- ◆ Αφαιρέστε τη μπαταρία από το φορτιστή.

Επιλογή της ροπής ή της θέσης διάτρησης (εικ. E)

Το εργαλείο αυτό διαθέτει κολάρο για τη ρύθμιση της ροπής σύσφιξης βιδών.

- ◆ Για διάτρηση, θέστε το κολάρο (7) στη θέση διάτρησης ευθυγραμμίζοντας το σύμβολο /drillsymb/ με την ένδειξη (21).
- ◆ Για λειτουργία κατσαβιδιού, θέστε το κολάρο στην επιθυμητή θέση. Αν δεν γνωρίζετε ακόμη την κατάλληλη θέση που πρέπει να επιλεγεί, ενεργήστε ως ακολούθως:
 - ◆ Θέστε το κολάρο (7) στη θέση 1.
 - ◆ Σφίξτε την πρώτη βίδα.

- ♦ Αν ο συμπλέκτης σταματήσει πριν επιτευχθεί το επιθυμητό αποτέλεσμα, αυξήστε τη ρύθμιση στο κολάρο και συνεχίστε να σφίγγετε τη βίδα. Επαναλάβετε τη διαδικασία αυτή μέχρι να επιτύχετε την κατάλληλη ρύθμιση. Με τη ρύθμιση αυτή, βιδώστε τις υπόλοιπες βίδες.

Επιλογή της κατεύθυνσης περιστροφής (εικ. Α)

Για διάτρηση, πριόνισμα, λείανση και για τη σύσφιξη βιδών, χρησιμοποιείτε την περιστροφή προς τα εμπρός (δεξιόστροφη). Για το λύσιμο βιδών ή για να αφαιρέσετε τρυπάνι που έχει κολλήσει, χρησιμοποιείτε την ανάποδη περιστροφή (αριστερόστροφη).

- ♦ Για να επιλέξετε την περιστροφή προς τα εμπρός, πιέστε το συρόμενο διακόπτη λειτουργίας εμπρός/πίσω (2) προς τα αριστερά.
- ♦ Για να επιλέξετε την ανάποδη περιστροφή, πιέστε το συρόμενο διακόπτη λειτουργίας εμπρός/πίσω προς τα δεξιά.
- ♦ Για να ασφαλίσετε το εργαλείο, τοποθετήστε το συρόμενο διακόπτη εμπρός / πίσω στη μεσαία θέση.

Διάτρηση/βίδωμα (εικ. Α)

- ♦ Επιλέξτε την περιστροφή εμπρός ή πίσω χρησιμοποιώντας το συρόμενο διακόπτη εμπρός / πίσω (2).
- ♦ Για να θέσετε σε λειτουργία το εργαλείο, πατήστε το διακόπτη ρυθμιζόμενης ταχύτητας (1). Η ταχύτητα του εργαλείου εξαρτάται από το βαθμό που θα πατήσετε το διακόπτη.
- ♦ Για να σβήσετε το εργαλείο, απελευθερώστε το διακόπτη ρυθμιζόμενης ταχύτητας.

Ρύθμιση της γωνίας πριονίσματος (εικ. F & H)

Το πέγμα του πριονιού μπορεί να ρυθμιστεί στις γωνίες 0° (ευθύ) και 45° (δεξιά φालτσογωνία).

- ♦ Ασφαλίστε το εργαλείο, θέτοντας το συρόμενο διακόπτη λειτουργίας εμπρός/ανάποδα (2) στη μεσαία θέση (εικ. F).
- ♦ Χαλαρώστε τη βίδα (19) μέχρι το πέγμα να μπορέσει να κινηθεί ελεύθερα (εικ. H).
- ♦ Τραβήξτε το πέγμα του πριονιού εμπρός και γείρτε το μέχρι να λάβει την επιθυμητή γωνία.
- ♦ Σφίξτε τον κοχλία (19).

Πριόνισμα (εικ. F)

- ♦ Επιλέξτε την περιστροφή προς τα εμπρός, μετακινώντας το συρόμενο διακόπτη λειτουργίας εμπρός/ανάποδα (2) προς τα αριστερά.
- ♦ Για να θέσετε σε λειτουργία το εργαλείο, κρατήστε πατημένο το μπουτόν απασφάλισης (9) και πατήστε το διακόπτη ρυθμιζόμενης ταχύτητας (1). Η ταχύτητα του εργαλείου εξαρτάται από το βαθμό που θα πατήσετε το διακόπτη.

- ♦ Απελευθερώστε το μπουτόν απασφάλισης (9).
- ♦ Για να σβήσετε το εργαλείο, απελευθερώστε το διακόπτη ρυθμιζόμενης ταχύτητας.

Λείανση (εικ. Α)

- ♦ Επιλέξτε την περιστροφή προς τα εμπρός, μετακινώντας το συρόμενο διακόπτη λειτουργίας εμπρός/ανάποδα (2) προς τα αριστερά.
- ♦ Για να θέσετε σε λειτουργία το εργαλείο, πατήστε το διακόπτη ρυθμιζόμενης ταχύτητας (1). Η ταχύτητα του εργαλείου εξαρτάται από το βαθμό που θα πατήσετε το διακόπτη.
- ♦ Για να σβήσετε το εργαλείο, απελευθερώστε το διακόπτη ρυθμιζόμενης ταχύτητας.

Συμβουλές για άριστη χρήση

Διάτρηση

- ♦ Να ασκείτε πάντα μια ελαφρά πίεση στην ίδια ευθεία με το τρυπάνι.
- ♦ Μόλις το τρυπάνι βγει από την άλλη πλευρά του τεμαχίου εργασίας, ελαττώστε την ασκούμενη πίεση στο εργαλείο.
- ♦ Χρησιμοποιήστε ένα κομμάτι ξύλο για να στηρίξετε τα τεμάχια εργασίας, των οποίων το υλικό ενδέχεται να εμφανίσει ρωγμές κατά το τρύπημα.
- ♦ Για τη διάτρηση οπών μεγάλης διαμέτρου σε ξύλο, χρησιμοποιήστε τρυπάνι διχαλωτής μορφής.
- ♦ Για τη διάτρηση σε μέταλλο, χρησιμοποιήστε τρυπάνια ταχυχάλυβα (HSS).
- ♦ Χρησιμοποιήστε τρυπάνια τοίχου κατά τη διάτρηση μαλακής τοιχοποιίας.
- ♦ Χρησιμοποιήστε λιπαντικό κατά τη διάτρηση άλλου μετάλλου εκτός από χυτοσίδηρο και ορείχαλκο.
- ♦ Δημιουργήστε μια μικρή εγκοπή με μία πόντα στο κέντρο της οπής που θα τρυπηθεί, προκειμένου να τρυπήσετε με μεγαλύτερη ακρίβεια.

Βίδωμα

- ♦ Να χρησιμοποιείτε πάντα τον κατάλληλο τύπο και μέγεθος μύτης κατσαβιδιού.
- ♦ Αν το σφίξιμο των βιδών παρουσιάζει δυσκολία, απλώστε μικρή ποσότητα υγρού απορρυπαντικού ή σαπουνιού σαν λιπαντικό.
- ♦ Το εργαλείο και η μύτη του κατσαβιδιού πρέπει να κρατούνται πάντα στην ίδια ευθεία με τη βίδα.

Πριόνισμα

- ♦ Να χρησιμοποιείτε πάντα τον ενδεδειγμένο τύπο πριονόλαμας για το συγκεκριμένο τεμάχιο εργασίας και για το είδος της κοπής.
- ♦ Αν είναι απαραίτητο, ανοίξτε μια οπή κοντά στο σημείο από όπου ξεκινά η κοπή.

Κατά το πριόνισμα ξύλινων τεμαχίων εργασίας, δεν είναι απαραίτητο να ανοίξετε οπή-οδηγό:

- ◆ Σημαδέψτε το σημείο εκκίνησης που επιθυμείτε.
- ◆ Κλίνετε το εργαλείο προς τα εμπρός και τοποθετήστε την καμπυλωτή μπροστινή ακμή του πέλματος πριονιού στο τεμάχιο εργασίας.
- ◆ Θέστε σε λειτουργία το εργαλείο και διεισδύστε σιγά-σιγά την πριονόλαμα στο τεμάχιο εργασίας, στο επιθυμητό σημείο εκκίνησης.

Κατά την κοπή λαμαρίνας:

- ◆ Στερεώστε ένα κομμάτι κόντρα πλακέ ή μαλακού ξύλου στην πλάτη του τεμαχίου εργασίας και πριονίστε και τα δύο μαζί για να επιτύχετε καθαρή κοπή.
- ◆ Μη ζορίζετε την πριονόλαμα στο τεμάχιο εργασίας. Σημειώστε ότι κανονικά το πριόνισμα της λαμαρίνας χρειάζεται περισσότερο χρόνο απ- ό,τι το πριόνισμα παχύτερων ξύλινων κομματιών.
- ◆ Απλώστε ένα λεπτό στρώμα λαδιού κατά μήκος της γραμμής κοπής προτού πριονίσετε.
- ◆ Για την κοπή, θέστε σε λειτουργία το εργαλείο και μετακινήστε το προς τα κάτω μέχρι να βρεθεί η πριονόλαμα ακριβώς πάνω από το σημείο εισόδου. Χαμηλώστε το πίσω μέρος του πέλματος προς το τεμάχιο εργασίας, πατώντας σταθερά στο πέγμα του πριονιού. Εχοντας το πέγμα επίπεδο πάνω στο τεμάχιο εργασίας, διεισδύστε τη λάμα μέσα στο τεμάχιο εργασίας.

Κατά την κοπή επενδυμένων επιφανειών (λαμινέ):

- ◆ Κόψτε τα λεπτά λαμινέ με την πίσω επιφάνεια στραμμένη προς τα πάνω, καθώς η πλευρά του τεμαχίου εργασίας που είναι πιθανότερο να παρουσιάσει σχίζες είναι εκείνη προς την οποία είναι στραμμένο το πέγμα.
- ◆ Για καθαρές κοπές, στερεώστε ένα κομμάτι κόντρα πλακέ ή χάρντμπορντ και από τις δύο πλευρές του λαμινέ και κόψτε το σάντουιτς που θα προκύψει.

Λείανση

- ◆ Μη ασκείτε μεγάλη πίεση στο εργαλείο.
- ◆ Ελέγχετε τακτικά την κατάσταση του φύλλου γυαλόχαρτου. Να το αντικαθιστάτε όταν το κρίνετε απαραίτητο.
- ◆ Όταν λειαίνετε νέα στρώματα βαφής πριν να χρησιμοποιήσετε άλλη βαφή, χρησιμοποιήστε πολύ λεπτό αμμοχάλικο.
- ◆ Σε πολύ ανώμαλες επιφάνειες, ή όταν αφαιρείτε στρώματα βαφής, χρησιμοποιήστε αρχικά χοντρό αμμοχάλικο. Σε άλλες επιφάνειες, μην χρησιμοποιήσετε αρχικά ιδιαίτερα λεπτό ή χοντρό αμμοχάλικο. Και στις δυο περιπτώσεις, χρησιμοποιήστε σταδιακά λεπτό αμμοχάλικο για να είναι καλύτερη η τελική επεξεργασία.

- ◆ Για περισσότερες πληροφορίες σε ό,τι αφορά τα διαθέσιμα αξεσουάρ λείανσης, γυαλίσματος, απόξεσης και σκουπίσματος επιφανειών, επισκεφθείτε το κατάστημα πώλησης.

Συντήρηση

Αυτό το εργαλείο της Black & Decker έχει σχεδιαστεί έτσι ώστε να λειτουργεί για μεγάλο χρονικό διάστημα με την ελάχιστη δυνατή φροντίδα. Η αδιάλειπτη και κανονική λειτουργία του εξαρτάται από τη φροντίδα του εργαλείου και τον τακτικό καθαρισμό του.

Ο φορτιστής σας δεν απαιτεί καμία συντήρηση εκτός από τον τακτικό καθαρισμό του.

Προσοχή! Πριν εκτελέσετε οποιαδήποτε εργασία συντήρησης στο εργαλείο, αφαιρέστε τη μπαταρία από το εργαλείο.

Βγάλτε το φορτιστή από την πρίζα πριν τον καθαρίσετε.

- ◆ Καθαρίζετε τακτικά τις οπές εξαερισμού του εργαλείου σας και του φορτιστή με μαλακή βούρτσα ή με στεγνό πανί.
- ◆ Να καθαρίζετε τακτικά το περίβλημα της μηχανής χρησιμοποιώντας ένα βρεγμένο πανί. Μη χρησιμοποιείτε στιλβωτικά ή υγρά καθαρισμού που περιέχουν διαλυτικές ουσίες.
- ◆ Να ανοίγετε τακτικά το τσοκ και να το αδειάζετε, προκειμένου να αφαιρείται η σκόνη από το εσωτερικό του.
- ◆ Να απλώνετε τακτικά μια σταγόνα λεπτό μηχανέλαιο στο ρουλεμάν οδήγησης (22) της κεφαλής της σέγας (εικ. Κ).

Προστασία του περιβάλλοντος

Εργαλεία



Η Black & Decker δίνει τη δυνατότητα ανακύκλωσης των προϊόντων και των επαναφορτιζόμενων μπαταριών της που έχουν συμπληρώσει τη διάρκεια ζωής τους. Η υπηρεσία αυτή είναι δωρεάν. Αν θέλετε να χρησιμοποιήσετε την εν λόγω υπηρεσία, επιστρέψτε το προϊόν σας σε οποιοδήποτε εξουσιοδοτημένο κέντρο επισκευών, όπου θα το παραλάβουν εκ μέρους σας.

Μπαταρίες



Οι μπαταρίες Black & Decker μπορούν να επαναφορτιστούν πολλές φορές. Όταν πλέον δεν μπορούν να ξαναχρησιμοποιηθούν, απορρίψτε τις με τρόπο κατάλληλο για το περιβάλλον:

- ◆ Εξαντλήστε πλήρως τη μπαταρία και μετά αφαιρέστε την από το εργαλείο.

- ♦ Οι μπαταρίες NiCd και NiMH είναι ανακυκλώσιμες. Στείλτε τες σε κάποιο εξουσιοδοτημένο κέντρο επισκευών ή στον τοπικό σας σταθμό ανακύκλωσης.

Ενημερωθείτε για το πλησιέστερο κέντρο επισκευών της περιοχής σας, επικοινωνώντας με τα γραφεία της Black & Decker στη διεύθυνση που αναγράφεται στο εγχειρίδιο. Επίσης, για να πληροφορηθείτε τα εξουσιοδοτημένα κέντρα επισκευών της Black & Decker και τις λεπτομέρειες και τους αρμόδιους των υπηρεσιών που παρέχονται μετά την πώληση, μπορείτε να ανατρέξετε στο Διαδίκτυο στη διεύθυνση: www.2helpU.com.

Τεχνικά χαρακτηριστικά

		KC2000	KC2002
Τάση	V_{DC}	12	14,4
Κωδ. καταλόγου μπαταρίας		A9275	\$
Δραπανοκατσάβιδο			
Ταχύτητα άφορτου κίνησης	min^{-1}	0 - 700	0 - \$
Μέγιστη ροπή	Nm	6,2	\$
Απόδοση τσοκ	mm	10	10
Μέγιστη δυναμικότητα διάτρησης σε χάλυβα/ξύλο	mm	10/25	10/25
Σέγα:			
Ταχύτητα άφορτου κίνησης	min^{-1}	0 - 3.000	0 - 3.000
Μέγιστο βάθος κοπής σε ξύλο	mm	38	38
Γωνίες πριονίσματος		0°, 45°	0°, 45°
Τριβείο:			
Παλμοί (χωρίς φορτίο)	min^{-1}	0 - 8.000	0 - 8.000

Μπαταρία		A9275	\$
Τάση	V_{DC}	12	14,4
Χωρητικότητα	Ah	1,5	\$

Φορτιστής		
Τάση δικτύου	V_{AC}	230
Χρόνος φόρτισης κατά προσέγγιση	h	1

Δήλωση συμμόρφωσης ΕΚ

Black & Decker δηλώνει ότι αυτά τα ηλεκτρικά εργαλεία σχεδιάστηκαν σύμφωνα με:

EN 50260, EN 55014-1, EN 55014-2, EN 61000-3-2, EN 61000-3-3, EN 60335

L_{pA} (ηχητική πίεση): 82 dB(A), L_{WA} (ακουστική δύναμη) 95 dB(A), σταθμισμένος τετραγωνικός μέσος όρος επιτάχυνσης 5.3 m/s^2



Colin Wills
Director of Engineering
BDCI, 4/F, 2 Dai Wang Street
Tai Po Industrial Estate
Tai Po NT, Hong Kong

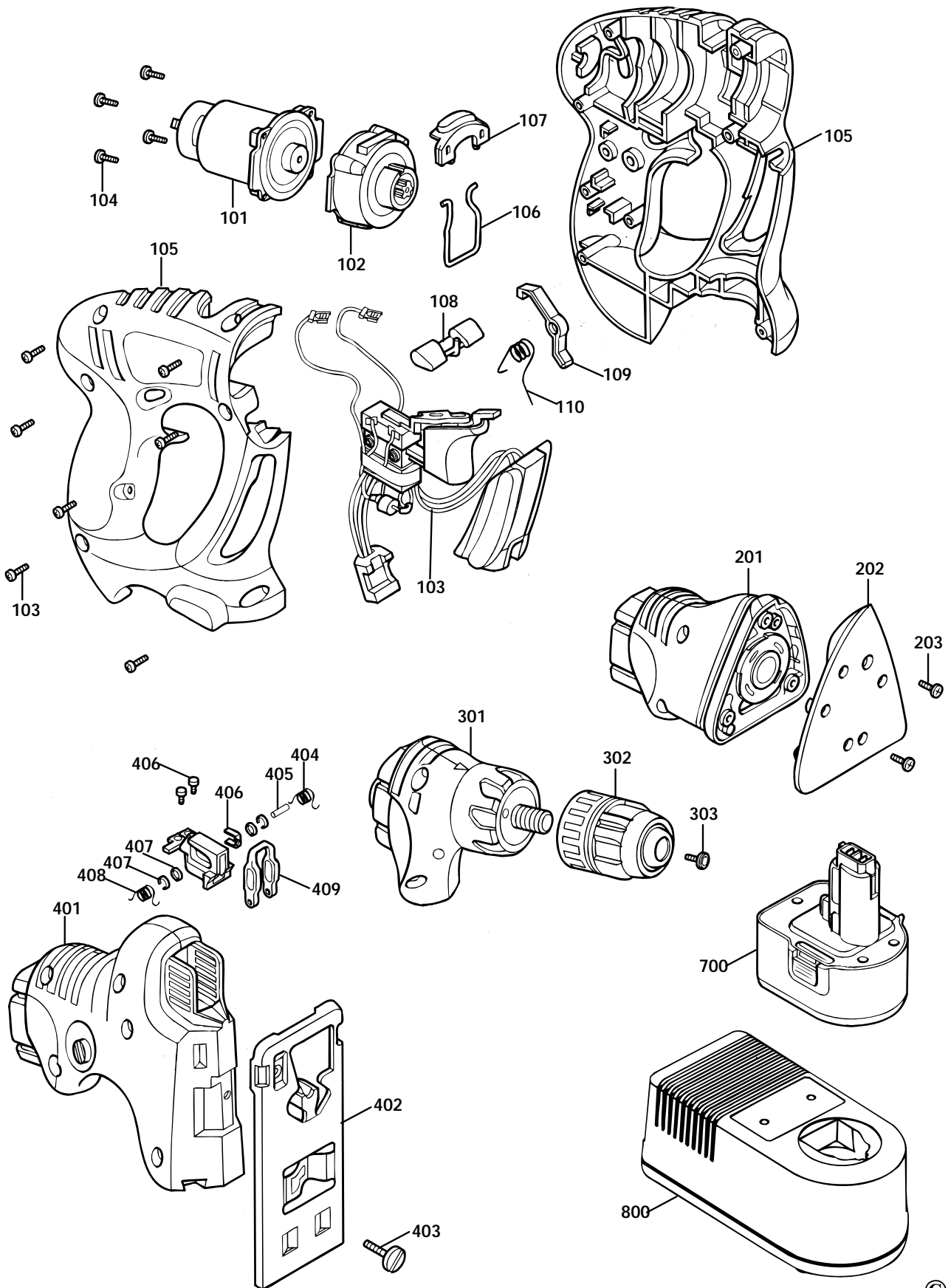
Εγγύηση

Η Black & Decker είναι σίγουρη για την ποιότητα των προϊόντων της και παρέχει σημαντική εγγύηση. Η παρούσα γραπτή εγγύηση αποτελεί πρόσθετο δικαίωμά σας και δεν ζημιώνει τα συνταγματικά σας δικαιώματα. Η εγγύηση ισχύει εντός της επικράτειας των Κρατών Μελών της Ευρωπαϊκής Ένωσης και της Ευρωπαϊκής Ζώνης Ελευθέρων Συναλλαγών.

Σε περίπτωση που κάποιο προϊόν της Black & Decker παρουσιάσει βλάβη εξαιτίας ελαττωματικών υλικών, ποιότητας εργασίας ή έλλειψης συμφωνίας με τις προδιαγραφές εντός 24 μηνών από την ημερομηνία αγοράς, η Black & Decker εγγυάται την αντικατάσταση των ελαττωματικών τμημάτων, την επισκευή προϊόντων που έχουν υποστεί εύλογη φθορά λόγω χρήσης ή την αντικατάσταση των προϊόντων προκειμένου να εξασφαλίσει την ελάχιστη ενόχληση στους πελάτες της, εκτός αν:

- ♦ Το προϊόν έχει χρησιμοποιηθεί σε εργασιακό, επαγγελματικό περιβάλλον ή αν έχει ενοικιαστεί
- ♦ Έχει γίνει εσφαλμένη χρήση του προϊόντος ή αν έχει παραμεληθεί
- ♦ Το προϊόν έχει υποστεί βλάβη από άλλα αντικείμενα, από ουσίες ή λόγω ατυχήματος
- ♦ Έχει γίνει προσπάθεια επισκευής από μη εξουσιοδοτημένα κέντρα επισκευών ή από προσωπικό που δεν ανήκει στο προσωπικό της Black & Decker

Για να ισχύσει η εγγύηση, πρέπει να υποβάλετε απόδειξη αγοράς στον πωλητή ή το εξουσιοδοτημένο κέντρο επισκευών. Ενημερωθείτε για το πλησιέστερο κέντρο επισκευών της περιοχής σας, επικοινωνώντας με τα γραφεία της Black & Decker στη διεύθυνση που αναγράφεται στο εγχειρίδιο. Επίσης, για να πληροφορηθείτε για τα εξουσιοδοτημένα κέντρα επισκευών της Black & Decker, τις λεπτομέρειες και τους αρμόδιους των υπηρεσιών που παρέχονται μετά την πώληση, μπορείτε να ανατρέξετε στο Διαδίκτυο στη διεύθυνση: www.2helpU.com.



Australia	DeWALT Industrial Power Tool Company 7 Clarice Road, Box Hill, Victoria 3128	Tel. 03 9895 9200 Fax 03 9899 7465
Belgique/België	Black & Decker (Belgium) N.V. Weihoek 1, 1930 Zaventem	Tel. 02/719.07.11 Fax 02/719.08.10
Danmark	Black & Decker Hejrevang 26B, 3450 Allerød Internet: www.blackdecker.dk	Tel. 70 20 15 10 Fax 48 14 13 99
Deutschland	Black & Decker GmbH Black & Decker Str. 40, D - 65510 Idstein	Tel. 06126/21 24 83 Fax 06126/21 26 01
Ελλάς	Black & Decker (Ελλάς) A.E. Στράβωνος 7 & Βουλιαγμένης 159 Γλυφάδα 16674, Ελλάδα	Τηλ. (01) 8981-616 Φαξ (01) 8983-570 Service (01) 8982-630
España	Black & Decker Spain Parque de Negocios "Mas Blau" Edificio Muntadas, c/Bergadá, 1, Of. A6 08820 El Prat de Llobregat (Barcelona)	Tel. 934 797 400 Fax 934 797 419
France	Black & Decker (France) S.A.S. B.P. 21, 69571 Dardilly Cédex	Tel. 04 72 20 39 20 Fax 04 72 20 39 00
Helvetia	Eduard Luggen Black & Decker-Service Schweiz Industriestrasse 1 / Postfach 323 8157 Dielsdorf	Tel. 01/854 01 01 Fax 01/854 02 02
Italia	Black & Decker Italia SpA Viale Elvezia 2 20052 Monza (MI)	Tel. 039-23871 Fax 039-2387592/2387594 Numero verde 800-213935
Nederland	Black & Decker (Nederland) BV Florijnstraat 10, 4879 AH Etten-Leur	Tel. 076-5082000 Fax 076-5038184
New Zealand	Black & Decker 81 Hugo Johnson Drive Penrose, Auckland, New Zealand	Tel. 09 579 7600 Fax 09 579 8200
Norge	Black & Decker (Norge) A/S Postboks 248, Leirdal, 1011 Oslo Internet: www.blackdecker.no	Tlf. 22 90 99 00 Fax 22 90 99 01
Österreich	Black & Decker Vertriebsges.m.b.H Erlaaerstraße 165, 1231 Wien	Tel. 01 66116-0 Fax 01 66116-14
Portugal	Black & Decker Rua Egas Moniz 173, 2766-651 S. João do Estoril	Tel. 214667500 Fax 214667575
South Africa	Black & Decker South Africa (Pty) Ltd Physical address: 39 Commerce Crescent Eastgate, ext. 12, Sandton, Kramerville 2148 Postal address: Postnet Suite 107, Private Bag X65 Halfway House 1685	Tel. (011) 653-1400 Fax (011) 653-1499
Suomi	Black & Decker Oy Palotie 3, 01610 Vantaa Black & Decker Oy, Brandvägen 3, 01610 Vanda	Puh: (09) 825 4540 Fax: (09) 825 45 444 Tel: (09) 825 4540 Fax: (09) 825 45 444
Sverige	Black & Decker AB Box 603, 421 26 Västra Frölunda, Besöksadr. Ekonomivägen 11	Tel: 031-68 60 00 Fax: 031-68 60 08
Türkiye	Black & Decker Merkez Servis Dudullu Cad. Kerembey Sok. No. 1 Küçükbakkalköy/Istanbul	Tel. 0216 455 89 73 Faks 0216 455 20 52
United Kingdom	Black & Decker 210 Bath Road Slough, Berkshire SL1 3YD	Tel. 01753 511234 Fax 01753 551155 Helpline 01753 574277

Dealer address
Händleradresse
Cachet du revendeur
Indirizzo del rivenditore
Adres van de dealer
Dirección del detallista
Morada do revendedor
Återförsäljarens adress
Forhandlerens adresse
Forhandler adresse
Jälleenmyyjän osoite
Διεύθυνση αντιπροσώπου

Date of purchase
Kaufdatum
Date d'achat
Data d'acquisto
Aankoopdatum
Fecha de compra
Data de compra
Inköpsdatum
Innkjøpsdato
Indkøbsdato
Ostopäivä
Ημερομηνία αγοράς

◆ Name ◆ Name ◆ Nom ◆ Nome
◆ Naam ◆ Nombre ◆ Nome ◆ Namn
◆ Navn ◆ Navn ◆ Nimi ◆ Όνομα:

◆ Is this tool a gift? ◆ Ist dieses Gerät ein Geschenk? ◆ S'agit-il d'un cadeau? ◆ Si tratta di un regalo? ◆ Kreeg u de machine als cadeau? ◆ ¿Ha recibido usted esta herramienta como regalo? ◆ Recebeu esta ferramenta como presente? ◆ Är verktyget en gåva? ◆ Er verktyget en gave? ◆ Onko kone lahja? ◆ Το εργαλείο είναι δώρο?

◆ Yes ◆ Ja ◆ Oui ◆ Si ◆ Ja ◆ Sí
◆ Sim ◆ Ja ◆ Ja ◆ Ja ◆ Kyllä ◆ Ναι
◆ No ◆ Nein ◆ Non ◆ No ◆ No ◆ Nee
◆ No ◆ Não ◆ Nej ◆ Nei ◆ Nej
◆ Ei ◆ Oχι

◆ Is this tool your first purchase? ◆ Ist dieses Gerät ein Erstkauf? ◆ Est-ce un 1er achat? ◆ Questo prodotto è il suo primo acquisto? ◆ Is deze machine uw eerste aankoop? ◆ ¿Es esta herramienta la primera de este tipo? ◆ Esta ferramenta é a sua primeira compra? ◆ Är detta ditt första B&D-verktyg? ◆ Er dette ditt første B&D-verktoy? ◆ Onko tämä ensimmäinen B&D-

◆ Postal code ◆ Postleitzahl ◆ Code postal ◆ Codice postale ◆ Postcode
◆ Código ◆ Código postal ◆ Postnr.
◆ Postnr. ◆ Postimr. ◆ Postinumero
◆ Κωδικός

◆ konesi? ◆ Είναι το εργαλείο αυτό η πρώτη σας αγορά?

◆ Yes ◆ Ja ◆ Oui ◆ Si ◆ Ja ◆ Sí
◆ Sim ◆ Ja ◆ Ja ◆ Ja ◆ Kyllä ◆ Ναι
◆ No ◆ Nein ◆ Non ◆ No ◆ No ◆ Nee
◆ No ◆ Não ◆ Nej ◆ Nei ◆ Nej
◆ Ei ◆ Oχι

◆ Dealer address ◆ Händleradresse
◆ Cachet du revendeur ◆ Indirizzo del rivenditore ◆ Adres van de dealer
◆ Dirección del detallista ◆ Morada do revendedor ◆ Återförsäljarens adress
◆ Forhandlerens adresse ◆ Forhandler adresse
◆ Jälleenmyyjän osoite
◆ Διεύθυνση αντιπροσώπου

Cat. no.:



◆ Data protection act: Tick the box if you prefer not to receive further information. ◆ Bitte ankreuzen, falls Sie keine weiteren Informationen erhalten möchten. ◆ Si vous ne souhaitez pas recevoir d'informations, cochez cette case. ◆ Barrate la casella se non desiderate ricevere informazioni.
◆ A.u.b. dit vakje aankruisen indien u geen informatie wenst te ontvangen.
◆ Senale en la casilla sino quiere recibir información. ◆ Por favor, assinale com uma cruz se não desejar receber informação. ◆ Vänligen kryssa för i rutan om Ni inte vill ha information.
◆ Venligst kryss av dersom du ikke ønsker informasjon. ◆ Venligst sæt kryds i ruden såfremt De ikke måtte ønske at modtage information.

◆ Merkitkää rasti ruutuun, mikäli ette halua vastaanottaa informaatiota.
◆ Παρακαλείστε να σημειώσετε εάν δεν θέλετε να πάρετε πληροφορίες.

- ◆ GUARANTEE CARD ◆ GARANTIEKARTE ◆ CARTE DE GARANTIE ◆ TAGLIANDO DI GARANZIA
- ◆ GARANTIEKAART ◆ TARJETA DE GARANTÍA ◆ CARTÃO DE GARANTIA ◆ GARANTIBEVIS
- ◆ GARANTI KORT ◆ GARANTI KORT ◆ TAKUKORTTI ◆ ΚΑΡΤΑ ΕΓΓΥΗΣΗΣ

English

Please complete this section immediately after the purchase of your tool and send it to Black & Decker in your country. If you live in Australia or New Zealand, please register by using the alternative guarantee card supplied.

Português

Por favor, recorte esta parte, coloque-a num envelope selado e endereçado e envie-o logo após a compra do seu produto para o endereço da Black & Decker do seu país.

Deutsch

Bitte schneiden Sie diesen Abschnitt ab, stecken ihn in einen frankierten Umschlag und schicken ihn an die Black & Decker Adresse Ihres Landes.

Svenska

Var vänlig klipp ur denna del och sänd den i ett frankerat kuvert till Black & Deckers adress i Ditt land.

Français

Découpez cette partie et envoyez-la sous enveloppe timbrée à l'adresse de Black & Decker dans votre pays. ceci immédiatement après votre achat.

Dansk

Venligst klip denne del ud og send frankeret til Black & Decker i dit land.

Italiano

Per favore ritagliate questa parte, inseritela in una busta con francobollo e spediteola subito dopo l'acquisto del prodotto all'indirizzo della Black & Decker nella vostra nazione.

Ελληνικά

Παρακαλώ κόψτε αυτό το κομμάτι και ταχυδρομήσατε το αμέσως μετά την αγορά του προϊόντος σας στην Διεύθυνση της Black & Decker στην Ελλάδα.

Nederlands

Knip dit gedeelte uit en zend het direct na aankoop in een ge frankeerde, geaddresserde envelop naar het adres van Black & Decker in uw land.

Español

Después de haber comprado su herramienta envíe usted, por favor, esta tarjeta a la central de Black & Decker en su país.