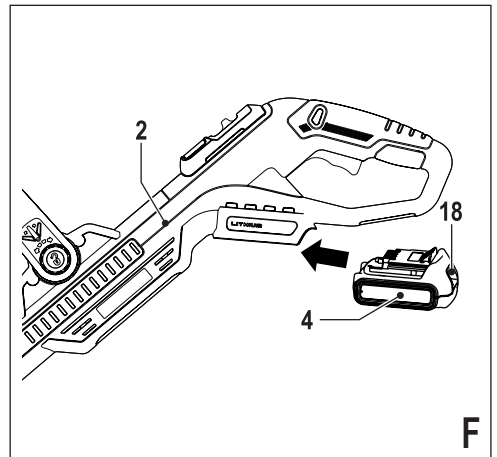
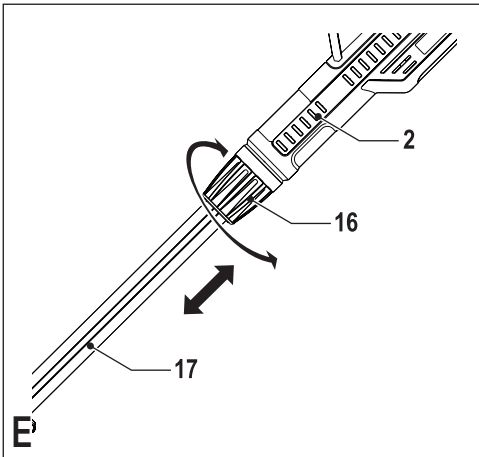
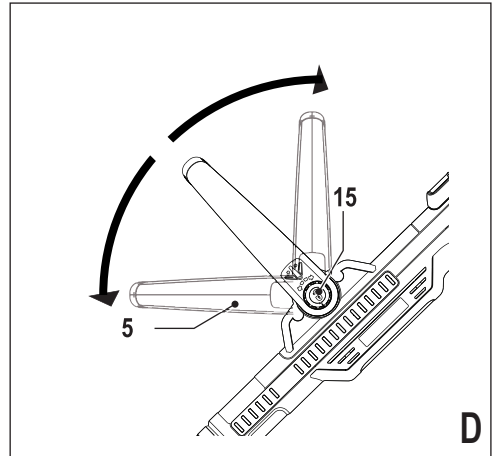
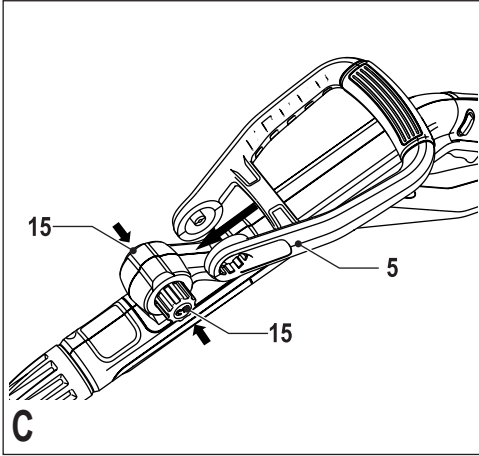
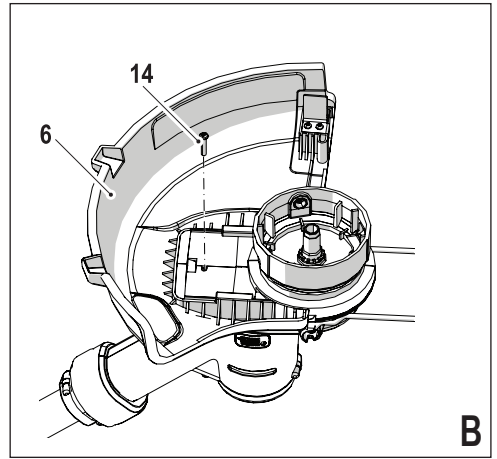
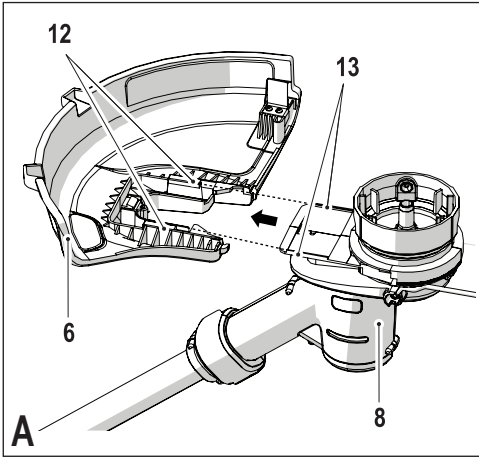
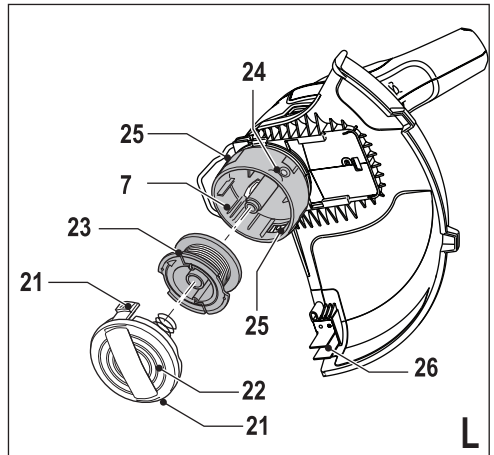
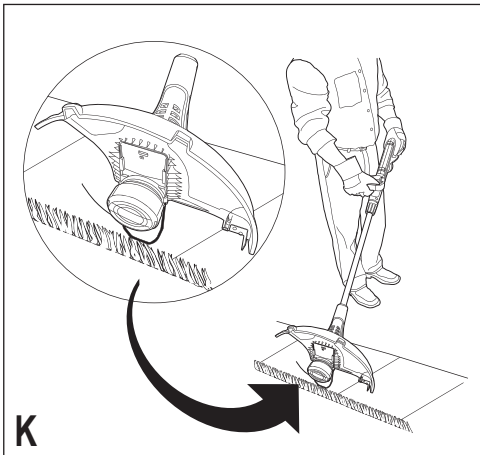
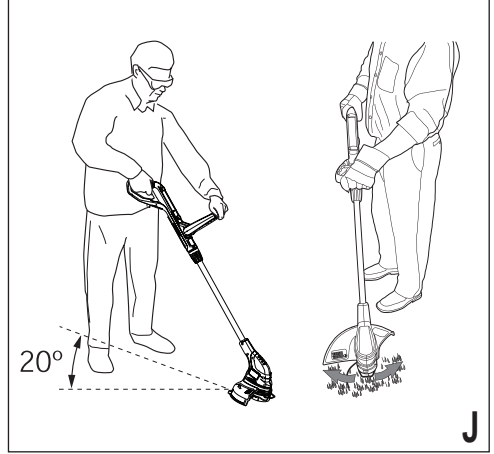
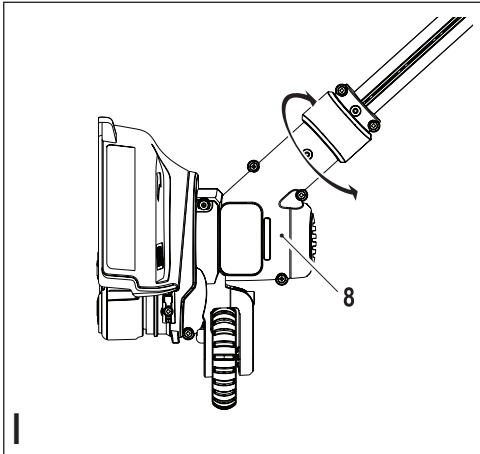
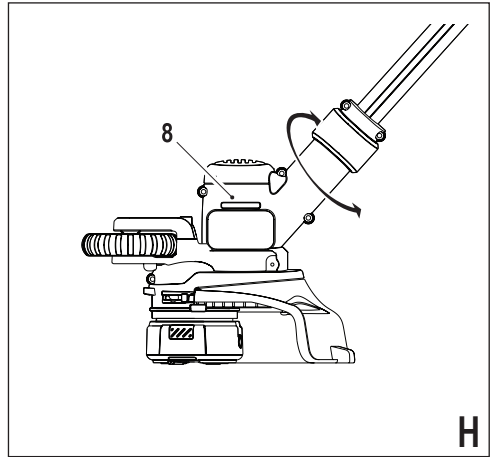
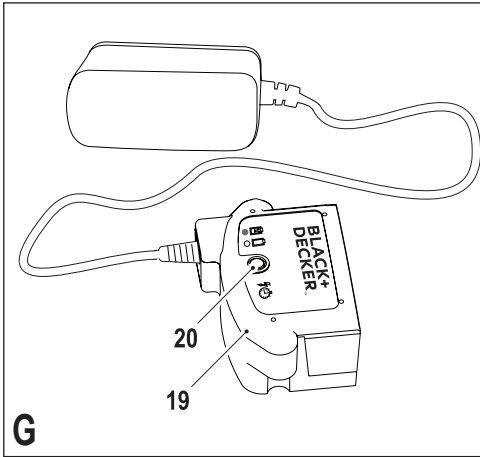


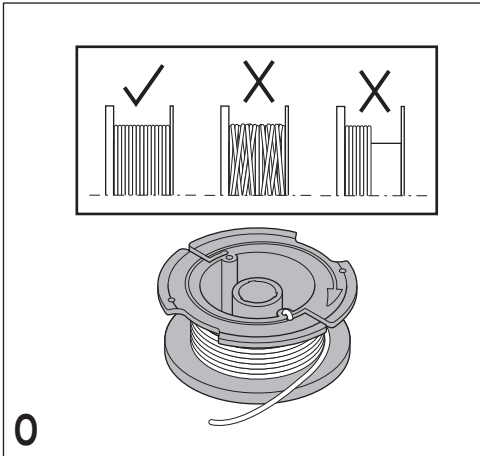
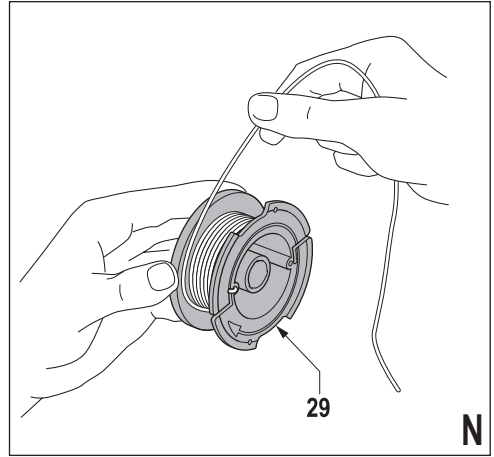
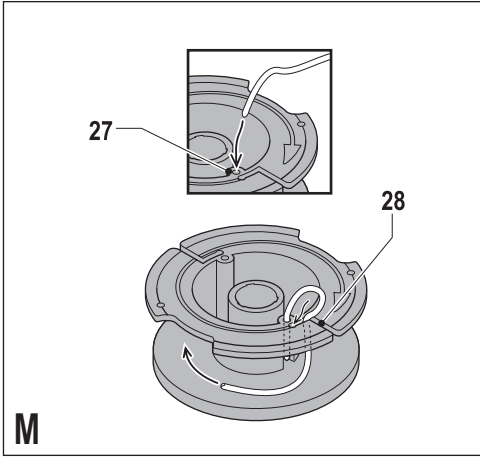
STC1815
STC1820
STC1820D

www.blackanddecker.eu

- EN
- DE
- FR
- IT
- NL
- ES
- PT
- SV
- NO
- DK
- FI
- EL







Intended use

Your BLACK+DECKER STC1815, STC1820, STC1820D trimmer has been designed for trimming and finishing lawn edges and to cut grass in confined spaces. This appliance is intended for consumer use only.

Safety instructions

Warning! When using mains-powered appliances, basic safety precautions, including the following, should always be followed to reduce the risk of fire, electric shock, personal injury and material damage.

Warning! When using the machine the safety rules must be followed. For your own safety and bystanders please read these instructions before operating the machine. Please keep the instructions safe for later use.

- ◆ Read all of this manual carefully before operating the appliance.
- ◆ The intended use is described in this manual. The use of any accessory or attachment or the performance of any operation with this appliance other than those recommended in this instruction manual may present a risk of personal injury.
- ◆ Retain this manual for future reference.

Using your appliance

Always take care when using the appliance.

- ◆ Always use safety glasses or goggles.
- ◆ Never allow children or people unfamiliar with the instructions to use the appliance.

- ◆ Do not allow children or animals to come near the work area or to touch the appliance or power supply cord.
- ◆ Close supervision is necessary when the appliance is used near children.
- ◆ This appliance is not intended for use by young or infirm persons without supervision.
- ◆ This appliance is not to be used as a toy.
- ◆ Only use the appliance in daylight or good artificial light.
- ◆ Use in a dry location only. Do not allow the appliance to become wet.
- ◆ Do not immerse the appliance in water.
- ◆ Do not open the body casing. There are not user-serviceable parts inside.
- ◆ Do not operate the appliance in explosive atmospheres, such as in the presence of flammable liquids, gases or dust.
- ◆ To reduce the risk of damage to plugs or cords, never pull the cable to remove the plug from a socket.

Safety of others

- ◆ This appliance is not intended for use by persons (including children) with reduced physical, sensory or mental capabilities, or lack of experience and knowledge, unless they have been given supervision or instruction concerning use of the appliance by a person responsible for their safety.
- ◆ Children must be supervised to ensure that they do not play with the appliance.

Residual risks.

Additional residual risks may arise when using the tool which may not be included in the enclosed safety warnings. These risks can arise from misuse, prolonged use etc.

Even with the application of the relevant safety regulations and the implementation of safety devices, certain residual risks can not be avoided. These include:

- ◆ Injuries caused by touching any rotating/moving parts.
- ◆ Injuries caused when changing any parts, blades or accessories.
- ◆ Injuries caused by prolonged use of a tool. When using any tool for prolonged periods ensure you take regular breaks.
- ◆ Impairment of hearing.
- ◆ Health hazards caused by breathing dust developed when using your tool (example:- working with wood, especially oak, beech and MDF.)

After use

- ◆ When not in use, the appliance should be stored in a dry, well ventilated place out of reach of children.
- ◆ Children should not have access to stored appliances.
- ◆ When the appliance is stored or transported in a vehicle it should be placed in the boot or restrained to prevent movement following sudden changes in speed or direction.

Inspection and repairs

- ◆ Before use, check the appliance for damaged or defective parts. Check for breakage of parts and any other conditions that may affect its operation.
- ◆ Do not use the appliance if any part is damaged or defective.
- ◆ Have any damaged or defective parts repaired or replaced by an authorised repair agent.
- ◆ Never attempt to remove or replace any parts other than those specified in this manual.

Additional safety instructions for grass trimmers

Warning! Cutting elements continue to rotate after the motor is switched off.

- ◆ Be familiar with the controls and the proper use of the appliance.
- ◆ Before use, check the power supply cord and extension cord for signs of damage, ageing and wear. If a cord becomes damaged during use, disconnect the cord from the mains supply immediately. **DO NOT TOUCH THE CORD BEFORE DISCONNECTING THE SUPPLY.**
- ◆ Do not use the appliance if the cords are damaged or worn.
- ◆ Wear stout shoes or boots to protect your feet.
- ◆ Wear long trousers to protect your legs.
- ◆ Before using the appliance, check that your cutting path is free from sticks, stones, wire and any other obstacles.

- ◆ Only use the appliance in the upright position, with the cutting line near the ground. Never switch the appliance on in any other position.
- ◆ Move slowly when using the appliance. Be aware that freshly cut grass is damp and slippery.
- ◆ Do not work on steep slopes. Work across the face of slopes, not up and down.
- ◆ Never cross gravel paths or roads while the appliance is running.
- ◆ Never touch the cutting line while the appliance is running.
- ◆ Do not put the appliance down until the cutting line has come to a complete standstill.
- ◆ Use only the appropriate type of cutting line. Never use metal cutting line or fishing line.
- ◆ Be careful not to touch the line trimming blade.
- ◆ Take care to keep the mains cable away from the cutting line. Always be aware of the position of the cable.
- ◆ Keep hands and feet away from the cutting line at all times, especially when switching on the motor.
- ◆ Before using the appliance and after any impact, check for signs of wear or damage and repair as necessary.
- ◆ Never operate the appliance with damaged guards or without guards in place.
- ◆ Take care against injury from any device fitted for trimming the filament line length. After extending new cutter line always return the machine to its normal operating position before switching on.
- ◆ Always ensure that the ventilation slots are kept clear of debris.
- ◆ Do not use the lawn trimmer (edge trimmer), if the cords are damaged or worn.
- ◆ Keep extension cords away from cutting elements.

Additional safety instructions for batteries and chargers

Batteries

- ◆ Never attempt to open for any reason.
- ◆ Do not expose the battery to water.
- ◆ Do not store in locations where the temperature may exceed 40 °C.
- ◆ Charge only at ambient temperatures between 10 °C and 40 °C.
- ◆ Charge only using the charger provided with the tool.
- ◆ When disposing of batteries, follow the instructions given in the section "Protecting the environment".

Chargers

- ◆ Use your BLACK+DECKER charger only to charge the battery in the tool with which it was supplied. Other batteries could burst, causing personal injury and damage.

- ◆ Never attempt to charge non-rechargeable batteries.
- ◆ Have defective cords replaced immediately.
- ◆ Do not expose the charger to water.
- ◆ Do not open the charger.
- ◆ Do not probe the charger.



The charger is intended for indoor use only.



Read the instruction manual before use.

Electrical safety



Your charger is double insulated; therefore no earth wire is required. Always check that the mains voltage corresponds to the voltage on the rating plate. Never attempt to replace the charger unit with a regular mains plug.

- ◆ If the supply cord is damaged, it must be replaced by the manufacturer or an authorised BLACK+DECKER Service Centre in order to avoid a hazard.

Labels on appliance

The following warning symbols are found on the appliance along with the date code:



Read the manual prior to operation.



Wear safety glasses or goggles when operating this appliance.



Wear suitable ear protectors when operating this appliance.



Always remove the plug from the socket before inspecting a damaged cable. Be careful not to use your strimmer if the cable is damaged.



Beware of flying objects. Keep bystanders away from the cutting area.



Do not expose the appliance to rain or high humidity.



Directive 2000/14/EC guaranteed sound power.

Features

This appliance includes some or all of the following features.

1. On/off switch
2. Handle
3. Lock off button
4. Battery
5. Second handle
6. Guard
7. Spool housing
8. Head
9. Power select (STC1820 Only)
10. Edge wheel (STC1820 & STC1820D Only)
11. Edge guide (STC1815 Only)

Assembly

Warning! Before assembly, make sure that the tool is switched off and the battery has been removed.

Fitting the guard (fig. A & B)

- ◆ Remove the screw from the guard.
- ◆ Keeping the guard (6) square to the strimmer head (8) slide it into place until the retaining tab clicks into place (Ensure that the guide rails (12) on the guard (6) are correctly aligned with the guide rails (13) on the strimmer head (8).
- ◆ Secure the guard (6) with the screw (14).

Warning! Never use the tool unless the guard is properly fitted.

Attaching the second handle (fig. C)

- ◆ Press in and hold both of the buttons (15) on the side of the handle.
- ◆ Slide the second handle (5) in place over the buttons (15).

Warning! Ensure that the teeth on the button are correctly aligned in slots in the handle and that the handle is secure.

Adjusting the position of the secondary handle (fig. D)

The second handle (5) can be adjusted to provide optimum balance and comfort.

- ◆ Press in the button (15) on the left side of the handle.
- ◆ Rotate the second handle (5) into the required position.
- ◆ Release the button (15).

Warning! Ensure that the teeth on the button are correctly aligned in slots in the handle and that the handle is secure.

Adjusting the height of the tool (fig. E)

This tool has a telescopic mechanism, allowing you to set it to a comfortable height. There are multiple height settings.

To adjust the height setting, proceed as follows:

- ◆ Loosen the adjustment collar (16) by turning it clockwise.
- ◆ Gently pull the tube (17) in or out of the handle (2) to the desired height.
- ◆ Tighten the adjustment collar (16) by turning anti-clockwise.

Releasing the cutting line

In transit, the cutting line is taped to the spool housing.

Warning! Before assembly, remove the battery from the tool.

- ◆ Remove the tape holding the cutting line to the spool housing (7).

Fitting and removing the battery (fig. F)

- ◆ To fit the battery (4), line it up with the receptacle on the tool. Slide the battery into the receptacle and push until the battery snaps into place.
- ◆ To remove the battery, push the release button (18) while at the same time pulling the battery out of the receptacle.

Use

Warning! Let the tool work at its own pace. Do not overload.

Charging the battery (fig. G)

The battery needs to be charged before first use and whenever it fails to produce sufficient power on jobs that were easily done before. The battery may become warm while charging; this is normal and does not indicate a problem.

Warning! Do not charge the battery at ambient temperatures below 10 °C or above 40 °C. Recommended charging temperature: approx. 24 °C.

Note: The charger will not charge a battery if the cell temperature is below approximately 10 °C or above 40 °C. The battery should be left in the charger and the charger will begin to charge automatically when the cell temperature warms up or cools down.

- ◆ To charge the battery (4), insert it into the charger (19). The battery will only fit into the charger in one way. Do not force. Be sure that the battery is fully seated in the charger.
- ◆ Plug in the charger and switch on at the mains.

The charging indicator (20) will flash green continuously (slowly).

The charge is complete when the charging indicator (20)

lights green continuously. The charger and the battery can be left connected indefinitely with the LED illuminated. The LED will change to flashing green (charging) state as the charger occasionally tops up the battery charge. The charging indicator (20) will be lit as long as the battery is connected to the plugged-in charger.

- ◆ Charge discharged batteries within 1 week. Battery life will be greatly diminished if stored in a discharged state.

Leaving the battery in the charger

The charger and battery pack can be left connected with the LED glowing indefinitely. The charger will keep the battery pack fresh and fully charged.

Charger diagnostics

If the charger detects a weak or damaged battery, the charging indicator (20) will flash red at a fast rate. Proceed as follows:

- ◆ Re-insert the battery (4).
- ◆ If the charging indicators continues flashing red at a fast rate, use a different battery to determine if the charging process works properly.
- ◆ If the replaced battery charges correctly, the original battery is defective and should be returned to a service centre for recycling.
- ◆ If the new battery gives the same indication as the original battery, take the charger to be tested at an authorised services centre.

Note: It may take as long as 30 minutes to determine that the battery is defective. If the battery is too hot or too cold, the LED will alternately blink red, fast and slow, one flash at each speed and repeat.

Setting the tool to trimming or edging mode (fig. H, I, J & K)

The tool can be used in trimming mode as shown in fig. H or in edging mode to trim overhanging grass along lawn edges and flower beds as shown in fig. I.

Trimming mode (fig. E, H & J)

For trimming, the trimmer head should be in the position shown in fig. J. If it is not:

- ◆ Remove the battery from the tool.
 - ◆ Loosen the adjustment collar (16) by turning it clockwise.
 - ◆ Whilst holding the handle (2), rotate the head (8) clockwise.
 - ◆ Tighten the collar (16) by turning it anti-clockwise.
- Note:** Note: The head will only rotate in one direction.

Edging mode (fig. E, I & K)

For edging, the trimmer head should be in the position shown in fig. K. If it is not:

- ◆ Remove the battery from the tool.
- ◆ Loosen the adjustment collar (16) by turning it clockwise.
- ◆ Whilst holding the handle (2), rotate the head (8) anti-clockwise.
- ◆ Tighten the collar (16) by turning it anti-clockwise.

Note: The head will only rotate in one direction.

Switching on and off

- ◆ To switch the tool on, press in and hold the lock off button (3) then squeeze the trigger lever (1). Once the tool is running you may release the lock off button (3).
- ◆ To switch the tool off, release the trigger lever.

Warning! Never attempt to lock the trigger lever in the on position.

Power select (STC1820 Only)

The power select feature (9) is located on the tool handle. It allows you to optimize the tools performance and boost the power as needed.

- ◆ Operate in "ECO" mode for most trimming needs. (Longer runtime will be achieved.)
- ◆ Switch to "TURBO" mode as required when tall, damp or thick conditions are present.

Hints for optimum use

General

- ◆ In order to achieve optimum cutting results, only cut dry grass.

Trimming

- ◆ Hold the tool as shown in fig. J
- ◆ Gently swing the trimmer from side to side.
- ◆ When cutting long grass, work in stages from the top. Take small cuts.
- ◆ Keep the tool away from hard objects and delicate plants.
- ◆ Cutting line will wear faster and require more feeding if the cutting is done along pavements or other abrasive surfaces or heavier weeds are being cut.
- ◆ If the tool starts running slowly, reduce the load.

Edging

Optimum cutting results are achieved on edges deeper than 50 mm.

- ◆ Do not use the tool to create edges. To create edges, use an edging spade.
- ◆ Guide the tool on its wheel (10) or edge guide (11) as shown in fig. K.
- ◆ To make a closer cut, slightly tilt the tool.

Fitting a new spool of cutting line (fig. L)

Replacement spools of cutting line are available from your BLACK+DECKER dealer (cat. no. A6481).

- ◆ Remove the battery from the tool.
- ◆ Keep the tabs (21) depressed and remove the spool cover (22) from the spool housing (7).
- ◆ Remove the empty spool (23) from the spool housing.
- ◆ Remove any dirt and grass from the spool cover and housing.
- ◆ Take the new spool and push it onto the boss in the spool housing. Rotate the spool slightly until it is seated.
- ◆ Unclip the end of the cutting line and guide the line into the eyelet (24). The line should protrude approx. 11 cm from the spool Housing.

- ◆ Align the tabs (21) on the spool cover with the cut outs (25) in the spool housing.
- ◆ Push the cover onto the spool housing until it snaps securely into place.

Warning! If the cutting lines protrude beyond the trimming blade (26), cut them off so that they just reach the blade.

Winding new line onto an empty spool (fig. M, N & O)

You may wind new cutting line onto an empty spool.

Replacement packs of cutting line are available from your BLACK+DECKER dealer (cat. no. A6170 (25 m), A6171 (40 m)).

- ◆ Remove the empty spool from the tool as described above.
- ◆ Remove any remaining cutting line from the spool.
- ◆ Feed 2 cm of cutting line into the hole (27) in the spool as shown (fig. M).
- ◆ Bend the cutting line and anchor it in the L-shaped slot (28).
- ◆ Wind the cutting line onto the spool in the direction of the arrow. Make sure to wind the line on neatly and in layers. Do not criss-cross (fig. O).
- ◆ When the wound cutting line reaches the recesses (29), cut the line. Let the line protrude approx. 11 cm from the spool and hold a finger on the line to keep it in place (fig. N).
- ◆ Proceed as described above to fit the spool on the tool.

Warning! Only use the appropriate type of BLACK+DECKER cutting line.

Troubleshooting

If your tool seems not to operate properly, follow the instructions below. If this does not solve the problem, please contact your local BLACK+DECKER repair agent.

Warning! Before proceeding, remove the battery from the tool.

Appliance runs slowly

- ◆ Check that the spool housing can rotate freely. Carefully clean it if necessary.
- ◆ Check that the cutting line does not protrude more than 11 cm from the spool housing. If it does, cut it off so that it just reaches the line trimming blade.

Automatic line feed does not work

- ◆ Keep the tabs depressed and remove the spool cover from the housing.
- ◆ Pull the cutting line until it protrudes 11 cm from the housing. If insufficient cutting line is left on the spool, install a new spool of cutting line as instructed above.
- ◆ Align the tabs on the spool cover with the cut outs in the housing.
- ◆ Push the cover onto the housing until it snaps securely into place.
- ◆ If the cutting line protrudes beyond the trimming blade, cut it off so that it just reaches the blade.

If the automatic line feed still does not work or the spool is jammed, try the following suggestions:

- ◆ Carefully clean the spool cover and housing.
- ◆ Remove the spool and check if the lever can move freely.
- ◆ Remove the spool and unwind the cutting line, then wind it on neatly again as described above. Replace the spool as instructed.

Maintenance

Your BLACK+DECKER corded/cordless appliance/tool has been designed to operate over a long period of time with a minimum of maintenance. Continuous satisfactory operation depends upon proper tool/appliance care and regular cleaning.

Your charger does not require any maintenance apart from regular cleaning.

Warning! Before performing any maintenance on corded/cordless power tools:

- ◆ Switch off and unplug the appliance/tool.
- ◆ Or switch off and remove the battery from the appliance/tool if the appliance/tool has a separate battery pack.
- ◆ Or run the battery down completely if it is integral and then switch off.
- ◆ Unplug the charger before cleaning it. Your charger does not require any maintenance apart from regular cleaning.
- ◆ Regularly clean the ventilation slots in your tool/appliance and charger using a soft brush or dry cloth.
- ◆ Regularly clean the motor housing using a damp cloth. Do not use any abrasive or solvent-based cleaner.
- ◆ Regularly clean the cutting line and spool using a soft brush or dry cloth.
- ◆ Regularly use a blunt scraper to remove grass and dirt from the underneath of the guard.

Protecting the environment



Separate collection. This product must not be disposed of with normal household waste.

Should you find one day that your BLACK+DECKER product needs replacement, or if it is of no further use to you, do not dispose of it with household waste. Make this product available for separate collection.



Separate collection of used products and packaging allows materials to be recycled and used again. Re-use of recycled materials helps prevent environmental pollution and reduces the demand for raw materials.

Local regulations may provide for separate collection of electrical products from the household, at municipal waste sites or by the retailer when you purchase a new product.

BLACK+DECKER provides a facility for the collection and recycling of BLACK+DECKER products once they have reached the end of their working life. To take advantage of this service please return your product to any authorised repair agent who will collect them on our behalf.

You can check the location of your nearest authorised repair agent by contacting your local BLACK+DECKER office at the address indicated in this manual. Alternatively, a list of authorised BLACK+DECKER repair agents and full details of our after-sales service and contacts are available on the Internet at: www.2helpU.com

Batteries



At the end of their useful life, discard batteries with due care for our environment:

- ◆ Run the battery down completely, then remove it from the tool.
- ◆ NiCd, NiMH and Li-Ion batteries are recyclable. Place the battery(s) in a suitable packaging to ensure that the terminals cannot be short-circuited. Take them to any authorised repair agent or a local recycling station.
- ◆ Do not short-circuit the battery terminals.
- ◆ Do not dispose of the battery(s) in a fire as this may result in a risk of personal injury or an Explosion.

Technical data

		STC1815 STC1820D H 2	STC1820 H 2
Input Voltage	V_{ac}	18	18
No-Load Speed	min^{-1}	6200	5500-7400
Weight	kg	2,6	2,6

Battery		BL1118	BL1318	BL1518	BL2018	BL4018
Voltage	V_{ac}	18	18	18	18	18
Capacity	Ah	1.0	1.3	1.5	2.0	4.0
Type		Li-Ion	Li-Ion	Li-Ion	Li-Ion	Li-Ion

Charger		905902** (typ. 1)
Input Voltage	V_{ac}	100 - 240
Output Voltage	V_{oc}	8 - 20
Current	mA	400

Hand/arm weighted vibration value according to EN 786:

= 9.0 m/s, uncertainty (K) = 1.5 m/s.

L_{w} (sound pressure) 76 dB(A)

uncertainty (K) = 1.6 dB(A)

EC declaration of conformity**MACHINERY DIRECTIVE
OUTDOOR NOISE DIRECTIVE****STC1815/STC1820/STC1820D trimmer**

Black & Decker declares that these products described under "technical data" are in compliance with:

2006/42/EC, EN 60335-1:2012+A11:2014,
EN 60335-2-91:2014

2000/14/EC, Lawn Trimmer, $L \leq 50$ cm, Annex VIII
DEKRA Certification B.V., Utrechtseweg 310,
6802 ED Arnhem, The Netherlands
Notified Body ID No.: 0344

Level of acoustic power according to 2000/14/EC
(Article 12, Annex III, $L \leq 50$ cm):

L_{max} (measured sound power) 90 dB(A)
uncertainty (K) = 1.6 dB(A)

L_{min} (guaranteed sound power) 92 dB(A)

These products also comply with Directive 2014/30/EU and
2011/65/EU.

For more information, please contact Black & Decker at the
following address or refer to the back of the manual.

The undersigned is responsible for compilation of the technical
file and makes this declaration on behalf of Black & Decker.

R. Laverick
Engineering Director
Black & Decker Europe, 210 Bath Road, Slough,
Berkshire, SL1 3YD
United Kingdom
06/12/2016

Guarantee

Black & Decker is confident of the quality of its products and offers an outstanding guarantee. This guarantee statement is in addition to and in no way prejudices your statutory rights. The guarantee is valid within the territories of the Member States of the European Union and the European Free Trade Area.

If a Black & Decker product becomes defective due to faulty materials, workmanship or lack of conformity, within 24 months from the date of purchase, Black & Decker guarantees to replace defective parts, repair products subjected to fair wear and tear or replace such products to ensure minimum inconvenience to the customer unless:

- ◆ The product has been used for trade, professional or hire purposes;
- ◆ The product has been subjected to misuse or neglect;
- ◆ The product has sustained damage through foreign objects, substances or accidents;
- ◆ Repairs have been attempted by persons other than authorised repair agents or Black & Decker service staff.

To claim on the guarantee, you will need to submit proof of purchase to the seller or an authorised repair agent. You can check the location of your nearest authorised repair agent by contacting your local Black & Decker office at the address indicated in this manual. Alternatively, a list of authorised Black & Decker repair agents and full details of our after-sales service and contacts are available on the Internet at: www.2helpU.com

Please visit our website www.blackanddecker.co.uk to register your new BLACK+DECKER product and to be kept up to date on new products and special offers. Further information on the Black & Decker brand and our range of products is available at www.blackanddecker.co.uk

Do not forget to register your product!

www.blackanddecker.co.uk/productregistration Register your product online at www.blackanddecker.co.uk/productregistration or send your name, surname and product code to BLACK+DECKER in your country.

Bestimmungsgemäße Verwendung

Ihr BLACK+DECKER STC1815, STC1820, STC1820D Rasentrimmer wurde für das Trimmen und Zuschneiden von Rasenkanten sowie für das Schneiden von Gras in beengten Platzverhältnissen entwickelt. Dieses Gerät ist nicht für den gewerblichen Einsatz vorgesehen.

Sicherheitshinweise

Achtung! Beachten Sie beim Umgang mit netzstrombetriebenen Geräten stets die grundlegenden Sicherheitshinweise, die im Folgenden beschrieben werden. Dadurch verhindern Sie Brände, Stromschläge sowie Sach- und Personenschäden.

Achtung! Beachten Sie beim Verwenden des Geräts unbedingt die Sicherheitsregeln. Lesen Sie zu Ihrer eigenen Sicherheit und zum Schutz in der Nähe befindlicher Personen vor Gebrauch des Geräts die folgende Bedienungsanleitung. Heben Sie diese Anleitung zur späteren Verwendung gut auf.

- ◆ Lesen Sie diese Anleitung vollständig und aufmerksam durch, bevor Sie das Gerät verwenden.
- ◆ Der vorgesehene Verwendungszweck ist in dieser Anleitung beschrieben. Bei Verwendung von Zubehör oder Anbauteilen, die nicht in dieser Anleitung empfohlen werden, sowie bei der Verwendung des Geräts in Abweichung von den in dieser Anleitung beschriebenen Verfahren besteht Verletzungsgefahr.
- ◆ Bewahren Sie diese Anleitung auf.

Verwendung des Geräts

Verwenden Sie das Gerät stets mit Umsicht.

- ◆ Tragen Sie stets eine Schutzbrille.

- ◆ Das Gerät darf nicht von Kindern und Personen genutzt werden, die die vorliegenden Anleitungen nicht gelesen haben.
- ◆ Achten Sie darauf, dass sich im Arbeitsbereich keine Kinder oder Tiere aufhalten. Verhindern Sie, dass Kinder das Gerät oder das Netzkabel berühren.
- ◆ Seien Sie besonders vorsichtig, wenn Sie das Gerät in der Nähe von Kindern verwenden.
- ◆ Das Gerät ist nicht für die unbeaufsichtigte Verwendung durch Kinder oder gebrechliche Personen vorgesehen.
- ◆ Das Gerät ist kein Spielzeug.
- ◆ Betreiben Sie das Gerät nur bei Tageslicht oder bei ausreichender Beleuchtung.
- ◆ Verwenden Sie das Gerät nur in trockener Umgebung. Achten Sie darauf, dass das Gerät nicht nass wird.
- ◆ Tauchen Sie das Gerät nicht in Wasser.
- ◆ Versuchen Sie nicht, das Gehäuse zu öffnen. Im Inneren befinden sich keine zu wartenden Teile.
- ◆ Betreiben Sie das Gerät nicht in explosionsgefährdeter Umgebung, in der sich brennbare Flüssigkeiten, Gase oder Staub befinden.
- ◆ Ziehen Sie niemals am Kabel, wenn Sie den Stecker aus der Steckdose ziehen möchten. Kabel und Stecker könnten sonst beschädigt werden.

Sicherheit anderer Personen

- ◆ Dieses Gerät darf nicht von Personen (einschließlich Kindern) mit eingeschränkten körperlichen, sensorischen oder geistigen Fähigkeiten sowie mangelnder Erfahrung und Kenntnissen bedient werden, es sei denn, sie werden bei der Verwendung des Geräts von einer erfahrenen Person beaufsichtigt oder angeleitet.
- ◆ Kinder müssen beaufsichtigt werden, um sicherzustellen, dass sie nicht mit dem Gerät spielen.

Restrisiken.

Für den Gebrauch dieses Geräts verbleiben zusätzliche Restrisiken, die möglicherweise nicht in den Sicherheitsswarnungen genannt werden. Diese Risiken bestehen beispielsweise bei Missbrauch oder längerem Gebrauch. Auch bei der Einhaltung der entsprechenden Sicherheitsvorschriften und der Verwendung aller Sicherheitsgeräte bestehen weiterhin bestimmte Restrisiken. Diese werden im Folgenden aufgeführt:

- ◆ Verletzungen, die durch das Berühren von sich drehenden/bewegenden Teilen verursacht werden.
- ◆ Verletzungen, die durch das Austauschen von Teilen, Messern oder Zubehör verursacht werden.
- ◆ Verletzungen, die durch längeren Gebrauch eines Geräts verursacht werden. Legen Sie bei längerem Gebrauch regelmäßige Pausen ein.
- ◆ Beeinträchtigung des Gehörs.

- ◆ Gesundheitsrisiken durch das Einatmen von Staub beim Gebrauch des Geräts (Beispielsweise bei Holzarbeiten, insbesondere Eiche, Buche und Pressspan).

Nach dem Gebrauch

- ◆ Bewahren Sie das Gerät bei Nichtgebrauch an einem trockenen, gut belüfteten Ort außerhalb der Reichweite von Kindern auf.
- ◆ Kinder sollten keinen Zugang zu aufbewahrten Geräten haben.
- ◆ Wenn das Gerät in einem Fahrzeug transportiert oder gelagert wird, bewahren Sie es im Kofferraum oder einer geeigneten Ablage auf, damit es bei plötzlichen Geschwindigkeits- oder Richtungsänderungen nicht in Bewegung geraten kann.

Inspektion und Reparaturen

- ◆ Prüfen Sie das Gerät vor der Verwendung auf beschädigte oder defekte Teile. Prüfen Sie, ob Teile beschädigt sind oder andere Bedingungen vorliegen, die die Funktion beeinträchtigen können.
- ◆ Betreiben Sie das Gerät nicht, wenn Teile beschädigt oder defekt sind.
- ◆ Lassen Sie beschädigte oder defekte Teile in einer Vertragswerkstatt reparieren oder austauschen.
- ◆ Ersetzen oder entfernen Sie keine Teile, für die in dieser Anleitung keine entsprechende Beschreibung enthalten ist.

Zusätzliche Sicherheitshinweise für Rasentrimmer

Achtung! Die Schneidevorrichtung rotiert nach Abschalten des Geräts einige Sekunden lang weiter.

- Machen Sie sich mit den Bedienelementen und dem ordnungsgemäßen Gebrauch des Geräts vertraut.
- Prüfen Sie vor der Inbetriebnahme Netz- und Verlängerungskabel auf Beschädigungen und Verschleiß. Trennen Sie das Gerät sofort vom Stromnetz, wenn ein Kabel während des Betriebs beschädigt wird. **BERUHREN SIE DAS KABEL NICHT, SOLANGE DER STECKER NOCH IN DER NETZSTECKDOSE STECKT.**
- Verwenden Sie das Gerät nicht, wenn die Kabel beschädigt oder abgenutzt sind.
- Tragen Sie stabile Schuhe oder Stiefel, um Ihre Füße zu schützen.
- Tragen Sie lange Hosen, um Ihre Beine zu schützen.
- Vergewissern Sie sich vor Verwenden des Geräts, dass die zu beschneidende Fläche frei von Ästen, Steinen, Draht und anderen Objekten ist.
- Verwenden Sie das Gerät ausschließlich in aufrechter Stellung und mit Schneidfaden in Bodennähe. Schalten Sie das Gerät keinesfalls in einer anderen Stellung ein.
- Achten Sie bei Verwendung des Geräts auf langsame Bewegungen. Bedenken Sie, dass frisch gemähtes Gras feucht und rutschig sein kann.
- Arbeiten Sie nie an steilen Hängen. Schieben Sie das Gerät immer parallel zum Hang, nie den Hang hinauf oder hinunter.
- Schalten Sie das Gerät vor dem Überqueren von Kieswegen und Straßen aus.
- Berühren Sie niemals den Schneidfaden, während sich das Gerät in Betrieb befindet.
- Warten Sie stets, bis der Schneidfaden vollständig zum Stillstand gekommen ist, bevor Sie das Gerät absetzen.
- Verwenden Sie ausschließlich geeignete Schneidfäden. Verwenden Sie keinesfalls Schneidfäden aus Metall oder Angelschnur.
- Berühren Sie auf keinen Fall das Fadenschneidemesser.
- Achten Sie darauf, dass das Stromkabel nicht in die Nähe des Schneidfadengeräts. Achten Sie stets auf die Lage des Stromkabels.
- Halten Sie Hände und Füße stets vom Schneidfaden fern, insbesondere beim Einschalten des Geräts.
- Überprüfen Sie das Gerät vor Gebrauch und nach Stößen auf Beschädigungen und Verschleiß, und veranlassen Sie notwendige Reparaturmaßnahmen.
- Betreiben Sie keinesfalls das Gerät, wenn die Schutzvorrichtungen beschädigt oder nicht ordnungsgemäß angebracht sind.

- ◆ Schützen Sie sich vor Verletzungen beim Verwenden von Geräten zum Verkürzen des Schneidfadens. Bringen Sie nach Herausziehen des neuen Schneidfadens das Gerät vor dem Einschalten in die normale Betriebsposition.
- ◆ Stellen Sie stets sicher, dass die Lüftungsschlitze frei von Verschmutzungen sind.
- ◆ Verwenden Sie den Rasentrimmer (Kantentrimmer) nicht, wenn die Kabel beschädigt oder abgenutzt sind.
- ◆ Halten Sie Verlängerungskabel von der Schneidevorrichtung fern.

Zusätzliche Sicherheitshinweise für Akkus und Ladegeräte

Akkus

- ◆ Auf keinen Fall öffnen.
- ◆ Achten Sie darauf, dass der Akku nicht mit Wasser in Berührung kommt.
- ◆ Nicht bei Temperaturen über 40 °C lagern.
- ◆ Laden Sie den Akku nur bei Umgebungstemperaturen von 10 °C bis 40 °C.
- ◆ Verwenden Sie ausschließlich das mitgelieferte Ladegerät.
- ◆ Bei der Entsorgung von Akkus oder Batterien die Hinweise im Abschnitt "Umweltschutz" beachten.

Ladegeräte

- ◆ Verwenden Sie das BLACK+DECKER Ladegerät nur für den Akku des Werkzeugs, mit dem es geliefert wurde. Andere Akkus könnten platzen und Sachschäden oder Verletzungen verursachen.
- ◆ Versuchen Sie keinesfalls, nicht aufladbare Batterien zu laden.
- ◆ Lassen Sie beschädigte Kabel sofort austauschen.
- ◆ Achten Sie darauf, dass das Ladegerät nicht mit Wasser in Berührung kommt.
- ◆ Versuchen Sie nicht, das Ladegerät zu öffnen.
- ◆ Nehmen Sie am Ladegerät keine Veränderungen vor.



Das Ladegerät darf nur im Innenbereich verwendet werden.



Lesen Sie vor Gebrauch die Anleitung.

Elektrische Sicherheit



Das Ladegerät ist schutzisoliert, daher ist keine Erdleitung erforderlich. Stellen Sie sicher, dass die Netzspannung der auf dem Typenschild des Geräts angegebenen Spannung entspricht. Ersetzen Sie das Ladegerät keinesfalls durch ein normales Netzkabel.

- ♦ Ist das Netzkabel beschädigt, muss es durch den Hersteller oder eine BLACK+DECKER Vertragswerkstatt ausgetauscht werden, um eine mögliche Gefährdung zu vermeiden.

Warnsymbole am Gerät

Werden folgende Piktogramme auf das Werkzeug zusammen mit dem Datum Code gezeigt:



Lesen Sie vor Inbetriebnahme die Bedienungsanleitung.



Tragen Sie eine Schutzbrille, wenn Sie mit dem Gerät arbeiten.



Tragen Sie einen geeigneten Gehörschutz, wenn Sie mit dem Gerät arbeiten.



Ziehen Sie stets den Stecker aus der Netzsteckdose, bevor Sie das Kabel auf Schäden überprüfen. Verwenden Sie den Rasentrimmer auf keinen Fall, wenn das Kabel beschädigt ist.



Achten Sie auf Gegenstände, die eventuell umhergeschleudert werden. Halten Sie andere Personen vom Arbeitsbereich fern.



Schützen Sie das Gerät vor Feuchtigkeit und Regen.



Garantierter Schalldruckpegel, gemessen nach Richtlinie 2000/14/EG.

Merkmale

Dieses Gerät verfügt über einige oder alle der folgenden Merkmale:

1. Ein-/Ausschalter
2. Griff
3. Einschaltsperr
4. Akku
5. Zweiter Griff
6. Schutzvorrichtung
7. Spulengehäuse
8. Kopf
9. Leistungsregler (nur STC1820)

10. Kantenrad (nur STC1820 & STC1820D)
11. Schnittführung (nur STC1815)

Montage

Achtung! Vergewissern Sie sich vor der Montage, dass das Gerät ausgeschaltet ist und der Akku entfernt wurde.

Anbringen der Schutzvorrichtung (Abb. A&B)

- ♦ Entfernen Sie die Schraube von der Schutzvorrichtung.
- ♦ Schieben Sie die Schutzvorrichtung (6) rechtwinklig über den Kopf des Trimmers (8), bis die Halterungslasche einrastet. (Stellen Sie sicher, dass die Führungsschienen (12) der Schutzvorrichtung (6) entsprechend den Führungsschienen (13) am Kopf des Trimmers (8) ausgerichtet sind.)
- ♦ Fixieren Sie die Schutzvorrichtung (6) mit der Schraube (14).

Achtung! Verwenden Sie das Gerät ausschließlich mit ordnungsgemäß angebrachter Schutzvorrichtung.

Anbringen des zweiten Griffs (Abb. C)

- ♦ Drücken und halten Sie die beiden Tasten (15) an der Seite des Griffs.
- ♦ Schieben Sie den Zusatzgriff (5) über die Tasten in Position (15).

Achtung! Achten Sie darauf, dass die Zähne an der Taste entsprechend den Schlitzern am Griff ausgerichtet sind und dass der Griff sicher angebracht ist.

Einstellen der Position des zweiten Griffs (Abb. D)

Der Zusatzgriff (5) lässt sich einstellen, um eine optimale Balance und ein Höchstmaß an Arbeitskomfort zu erzielen.

- ♦ Drücken Sie die Taste (15) an der linken Seite des Griffs.
- ♦ Drehen Sie den zweiten Griff (5) in die gewünschte Position.
- ♦ Lassen Sie die Taste (15) los.

Achtung! Achten Sie darauf, dass die Zähne an der Taste entsprechend den Schlitzern am Griff ausgerichtet sind und dass der Griff sicher angebracht ist.

Einstellen der Höhe des Geräts (Abb. E)

Dieses Gerät lässt sich mithilfe eines Teleskopauszugs auf eine bequeme Höhe einstellen. Es sind verschiedene Höheneinstellungen möglich.

So stellen Sie die Höhe ein:

- ♦ Lösen Sie den Einstellring (16), indem Sie diesen im Uhrzeigersinn drehen.
- ♦ Stellen Sie die gewünschte Höhe ein, indem Sie das Rohr (17) vorsichtig aus dem Griff (2) ziehen bzw. in diesen hineinschieben.
- ♦ Ziehen Sie den Einstellring (6) fest, indem Sie diesen gegen den Uhrzeigersinn drehen.

Freigeben des Schneidfadens

Während des Transports ist der Schneidfaden mit Klebeband am Spulengehäuse befestigt.

Achtung! Entfernen Sie vor der Montage den Akku aus dem Gerät.

- ♦ Entfernen Sie das Klebeband, mit dem der Schneidfaden am Spulengehäuse (7) befestigt ist.

Einsetzen und Entnehmen des Akkus (Abb. F)

- ◆ Um den Akku (4) einzusetzen, richten Sie ihn an der Aufnahme am Gerät aus. Schieben Sie den Akku in die Aufnahme, bis er in der richtigen Position einrastet.
- ◆ Um den Akku zu entfernen, drücken Sie die Entriegelungstaste (18), und schieben Sie gleichzeitig den Akku aus der Aufnahme.

Gebrauch

Achtung! Beschleunigen Sie den Arbeitsvorgang nicht mit Gewalt. Vermeiden Sie eine Überlastung des Geräts.

Laden des Akkus (Abb. G)

Der Akku muss vor erstmaliger Benutzung und immer dann aufgeladen werden, wenn das Gerät nicht mehr die volle Leistung bringt. Während des Ladevorgangs kann der Akku warm werden. Das ist normal.

Achtung! Laden Sie den Akku nicht, wenn die Umgebungstemperatur unter 10 °C oder über 40 °C liegt. Empfohlene Ladetemperatur: etwa 24 °C.

Hinweis: Ein Akku, bei dem die Temperatur der Batteriezellen unter ca. 10 °C oder über 40 °C liegt, wird vom Ladegerät nicht geladen.

Lassen Sie in diesem Fall den Akku im Ladegerät. Das Ladegerät beginnt automatisch mit dem Ladevorgang, sobald sich die Zellen erwärmt bzw. abgekühlt haben.

- ◆ Setzen Sie den Akku (4) in das Ladegerät (19) ein, um diesen zu laden. Der Akku kann nur in einer Richtung in das Ladegerät eingesetzt werden. Gehen Sie nicht mit Gewalt vor. Vergewissern Sie sich, dass der Akku ordnungsgemäß im Ladegerät steckt.
- ◆ Schließen Sie das Ladegerät an eine Steckdose an, und schalten Sie die Stromversorgung ein.

Die Ladeanzeige (20) blinkt durchgängig grün (langsam). Der Ladevorgang ist abgeschlossen, wenn die Ladeanzeige (20) dauerhaft grün leuchtet. Sie können den Akku auf unbestimmte Zeit im Ladegerät belassen. In diesem Fall leuchtet die LED-Anzeige. Die LED-Anzeige beginnt erneut, grün zu blinken (Ladezustand), wenn der Akku gelegentlich nachgeladen wird. Solange der Akku mit dem angeschlossenen Ladegerät verbunden ist, leuchtet die Ladeanzeige (20).

- ◆ Ein entladener Akku sollte innerhalb einer Woche wieder aufgeladen werden. Die Lebensdauer des Akkus wird erheblich reduziert, wenn dieser in entladener Zustand aufbewahrt wird.

Belassen des Akkus im Ladegerät

Sie können den Akku auf im Ladegerät belassen. In diesem Fall leuchtet die LED-Anzeige dauerhaft. Das Ladegerät hält den Akku in einem vollständig geladenen Zustand.

Diagnose des Ladegeräts

Wenn das Ladegerät einen schwachen oder beschädigten Akku feststellt, blinkt die Ladeanzeige (20) in schneller Folge rot auf. Gehen Sie folgendermaßen vor:

- ◆ Setzen Sie den Akku (4) erneut ein.
- ◆ Falls die Ladeanzeige weiterhin in schneller Folge rot aufblinkt, verwenden Sie einen anderen Akku, um herauszufinden, ob der Ladevorgang ordnungsgemäß ausgeführt wird.

- ◆ Wenn der ersetzte Akku ordnungsgemäß geladen wird, ist der ursprüngliche Akku defekt. Geben Sie diesen bei einem Service Center ab, damit er recycelt werden kann.
- ◆ Lassen Sie das Ladegerät von einer autorisierten Vertragswerkstatt überprüfen, wenn bei dem neuen Akku dieselbe Anzeige erscheint wie bei dem ursprünglichen Akku.

Hinweis: Es kann bis zu 30 Minuten dauern, bis sich herausstellt, ob der Akku tatsächlich defekt ist. Wenn der Akku zu warm oder zu kalt ist, blinkt die rote LED-Anzeige abwechselnd einmal langsam und einmal schnell.

Einstellen des Trimm- bzw. Kantenmodus (Abb. H, I, J & K)

Das Gerät verfügt über einen Trimm- (Abb. HI) und einen Kantenmodus (Abb. I) zum Schneiden von überhängenden Gräsern an Rasenkanten und Blumenbeeten.

Trimmmodus (Abb. E, H & J)

Zum Trimmen muss sich der Kopf des Trimmers in der in Abb. J dargestellten Position befinden. Gehen Sie folgendermaßen vor, wenn dies nicht der Fall ist:

- ◆ Entfernen Sie den Akku aus dem Gerät.
- ◆ Lösen Sie den Einstellring (16), indem Sie diesen im Uhrzeigersinn drehen.
- ◆ Halten Sie den Griff (2) fest, und drehen Sie den Kopf (8) im Uhrzeigersinn.
- ◆ Ziehen Sie den Einstellring (16) fest, indem Sie diesen gegen den Uhrzeigersinn drehen.

Hinweis: Hinweis: Der Kopf lässt sich nur in eine Richtung drehen.

Kantenmodus (Abb. E, J & K)

Zum Arbeiten im Kantenmodus muss sich der Kopf des Trimmers in der in Abb. K dargestellten Position befinden. Gehen Sie folgendermaßen vor, wenn dies nicht der Fall ist:

- ◆ Entfernen Sie den Akku aus dem Gerät.
- ◆ Lösen Sie den Einstellring (16), indem Sie diesen im Uhrzeigersinn drehen.
- ◆ Halten Sie den Griff (2) fest, und drehen Sie den Kopf (8) gegen den Uhrzeigersinn.
- ◆ Ziehen Sie den Einstellring (16) fest, indem Sie diesen gegen den Uhrzeigersinn drehen.

Hinweis: Der Kopf lässt sich nur in eine Richtung drehen.

Ein- und Ausschalten

- ◆ Halten Sie zum Einschalten des Geräts die Einschaltsperrle (3) gedrückt, und drücken Sie dann den Ein-/Ausschalter (1). Lassen Sie die Einschaltsperrle (3) los, wenn das Gerät läuft.
- ◆ Zum Ausschalten des Geräts lassen Sie den Ein-/Ausschalter wieder los.

Achtung! Versuchen Sie niemals, den Ein-/Ausschalter in der Einschaltstellung zu arretieren.

Leistungsregler (nur STC1820)

Der "Power Boost"-Regler (9) befindet sich am Gerätegriff. Mit diesem Regler können Sie die Geräteleistung optimieren und wie gewünscht regeln.

- ◆ Bei den meisten Schneidarbeiten sollte sich der Regler im Modus "ECO" befinden. (So lässt sich eine längere Betriebsdauer erzielen.)

- ◆ Schalten Sie in den Modus "TURBO", wenn dies aufgrund der Größe, Feuchtigkeit oder Dicke des zu schneidenden Materials erforderlich ist.

Hinweise für optimale Arbeitsergebnisse

Allgemeine Hinweise

- ◆ Um optimale Schneideergebnisse zu erzielen, sollten Sie nur trockenen Rasen beschneiden.

Trimmen

- ◆ Halten Sie das Gerät wie in Abb. J dargestellt.
- ◆ Führen Sie den Trimmer mit langsamen Schwenkbewegungen hin und her.
- ◆ Schneiden Sie hohes Gras in Zwischenschritten bis zur gewünschten Länge. Schneiden Sie stets nur geringe Längen.
- ◆ Halten Sie das Gerät von harten Gegenständen und empfindlichen Pflanzen fern.
- ◆ Der Schneidfaden nutzt sich schneller ab und muss häufiger erneuert werden, wenn Schneidarbeiten entlang Gehwegen oder anderen rauen Untergründen ausgeführt werden oder dichtes Unkraut geschnitten wird.
- ◆ Verringern Sie die Belastung, wenn das Gerät sich verlangsamt.

Kanten

Optimale Ergebnisse werden bei Kanten erzielt, die tiefer als 50 mm sind.

- ◆ Dieses Gerät ist nicht zum Stechen von Kanten geeignet. Verwenden Sie zu diesem Zweck einen Kantenspaten.
- ◆ Führen Sie das Gerät auf dem Rad (10) oder der Schnittführung (11), wie in Abb. K dargestellt.
- ◆ Neigen Sie das Gerät leicht, um einen kürzeren Beschnitt zu erzielen.

Einsetzen einer neuen Schneidfadenspule (Abb. L)

Neue Schneidfadenspulen erhalten Sie im BLACK+DECKER Fachhandel (Katalognr. A6481).

- ◆ Entfernen Sie den Akku aus dem Gerät.
- ◆ Halten Sie die Laschen (21) gedrückt, und entfernen Sie den Spulendeckel (22) vom Gehäuse (7).
- ◆ Entfernen Sie die leere Spule (23) aus dem Spulengehäuse.
- ◆ Entfernen Sie Verschmutzungen und Gras von dem Spulendeckel und dem Spulengehäuse.
- ◆ Stecken Sie eine neue Spule auf die Nabe im Spulengehäuse. Drehen Sie die Spule leicht, bis sich diese in der richtigen Position befindet.
- ◆ Lösen Sie das Ende des Schneidfadens, und schieben Sie dieses durch das Loch (24). Der Faden sollte etwa 11 cm aus dem Spulendeckel herausragen.
- ◆ Richten Sie die Laschen (21) der Spulenabdeckung an den Löchern (25) des Spulengehäuses aus.
- ◆ Drücken Sie den Deckel auf das Spulengehäuse, bis dieser sicher einrastet.

Achtung! Wenn die Schneidfäden über das Schneidmesser (26) hinausreichen, schneiden Sie diese entsprechend zu, sodass die Fäden lediglich an das Messer heranreichen.

Aufwickeln eines neuen Schneidfadens auf eine leere Spule (Abb. M,N&O)

Es besteht die Möglichkeit, einen neuen Schneidfaden auf eine leere Spule aufzuwickeln.

Neue Schneidfadenspulen erhalten Sie im BLACK+DECKER Fachhandel (Katalognr. A6170 (25 m), A6171 (40 m)).

- ◆ Entnehmen Sie, wie oben beschrieben, die leere Spule aus dem Gerät.
- ◆ Entfernen Sie alle Schneidfadenreste von der Spule.
- ◆ Führen Sie 2 cm Schneidfaden durch das Loch (27) in der Spule, wie in der Abbildung dargestellt (Abb. M).
- ◆ Knicken Sie den Schneidfaden ab, und haken Sie diesen in der L-förmigen Aussparung (28) ein.
- ◆ Wickeln Sie den Schneidfaden in Pfeilrichtung auf die Spule. Achten Sie darauf, dass Sie den Faden in gleichmäßigen Schichten aufwickeln. Vermeiden Sie, den Faden zu überkreuzen (Abb. O).
- ◆ Schneiden Sie den Faden ab, wenn der aufgewickelte Faden die Aussparungen (29) erreicht. Lassen Sie etwa 11 cm des Fadenendes aus der Spule herausragen. Fixieren Sie den Faden mit dem Finger (Abb. N).
- ◆ Fahren Sie wie oben beschrieben fort, um die Spule in das Gerät einzusetzen.

Achtung! Verwenden Sie ausschließlich geeignete BLACK+DECKER Schneidfäden.

Problemebehebung

Beachten Sie folgende Hinweise, wenn das Gerät nicht richtig zu funktionieren scheint. Sollte sich das Problem nicht beheben lassen, wenden Sie sich an eine BLACK+DECKER Vertragswerkstatt in Ihrer Nähe.

Achtung! Ziehen Sie den Netzstecker, bevor Sie fortfahren.

Das Gerät läuft langsam

- ◆ Vergewissern Sie sich, dass sich das Spulengehäuse frei drehen kann. Reinigen Sie dieses ggf. sorgfältig.
- ◆ Stellen Sie sicher, dass der Schneidfaden nicht weiter als 11 cm aus dem Spulengehäuse herausragt. Schneiden Sie ggf. den Schneidfaden so zu, dass dieser lediglich bis an das Fadenschneidmesser reicht.

Die automatische Zuführung funktioniert nicht.

- ◆ Nehmen Sie bei heruntergedrückten Laschen den Spulendeckel vom Gehäuse ab.
- ◆ Ziehen Sie den Schneidfaden heraus, bis dieser 11 cm aus dem Gehäuse herausragt. Bringen Sie eine neue Spule mit Schneidfaden wie oben angegeben an, wenn der Schneidfaden auf der Spule nicht mehr ausreicht.
- ◆ Richten Sie die Laschen der Spule an den Löchern des Gehäuses aus.
- ◆ Drücken Sie den Deckel auf das Gehäuse, bis dieser sicher einrastet.
- ◆ Schneiden Sie den Schneidfaden ggf. so zu, dass dieser lediglich bis an das Fadenschneidmesser heranreicht.

Versuchen Sie folgende Vorgehensweisen, wenn die automatische Zuführung weiterhin nicht funktioniert oder die Spule klemmt:

- ◆ Reinigen Sie sorgfältig Spulendeckel und Gehäuse.

- ◆ Entfernen Sie die Spule, und überprüfen Sie, ob sich der Hebel frei bewegen lässt.
- ◆ Entnehmen Sie die Spule, und wickeln Sie den Schneidfaden ab und anschließend sorgfältig, wie oben beschrieben, wieder auf. Ersetzen Sie die Spule gemäß dieser Anleitung.

Wartung

Ihr BLACK+DECKER Gerät (mit und ohne Netzkabel) wurde im Hinblick auf eine lange Lebensdauer und einen möglichst geringen Wartungsaufwand entwickelt. Ein dauerhafter, einwandfreier Betrieb setzt eine regelmäßige Pflege und Reinigung voraus.

Das Ladegerät benötigt keine Wartung, es sollte jedoch regelmäßig gereinigt werden.

Achtung! Vor dem Ausführen jeglicher Wartungsarbeiten an Geräten mit und ohne Netzkabel:

- ◆ Schalten Sie das Gerät aus, und ziehen Sie den Netzstecker.
- ◆ Wenn das Gerät über einen separaten Batteriepack oder Akku verfügt, schalten Sie das Gerät ab, und entnehmen Sie die Batterien aus dem Gerät.
- ◆ Wenn der Akku integriert ist, entladen Sie diesen vor dem Abschalten vollständig.
- ◆ Ziehen Sie das Ladegerät aus der Netzsteckdose, bevor Sie es reinigen. Das Ladegerät benötigt keine Wartung, es sollte jedoch regelmäßig gereinigt werden.
- ◆ Reinigen Sie regelmäßig die Lüftungsschlitze des Geräts und des Ladegeräts mit einer weichen Bürste oder einem trockenen Tuch.
- ◆ Reinigen Sie das Motorgehäuse regelmäßig mit einem feuchten Tuch. Verwenden Sie keine scheuernden Reinigungsmittel oder Reinigungsmittel auf Lösungsmittelbasis.
- ◆ Reinigen Sie regelmäßig den Schneidfaden und die Spule mit Hilfe einer weichen trockenen Bürste oder eines trockenen Tuchs.
- ◆ Entfernen Sie mit einem stumpfen Schaber regelmäßig Gras und Erde von der Unterseite der Schutzvorrichtung.

BLACK+DECKER nimmt Ihre ausgedienten BLACK+DECKER Geräte gern zurück und sorgt für eine umweltfreundliche Entsorgung bzw. Wiederverwertung. Um diese Dienstleistung in Anspruch zu nehmen, geben Sie das Gerät bitte bei einer autorisierten Reparaturwerkstatt ab, die für uns die Einsammlung übernimmt.

Die Adresse der zuständigen Niederlassung von BLACK+DECKER steht in dieser Anleitung. Dort teilt man Ihnen gerne die nächstgelegene Vertragswerkstatt mit. Eine Liste der Vertragswerkstätten und aller Kundendienststellen von BLACK+DECKER sowie der zuständigen Ansprechpartner finden Sie auch im Internet unter: www.2helpU.com

Akkus



Denken Sie bei der Entsorgung von verbrauchten Batterien/Akkus an die Umwelt.

- ◆ Entladen Sie den Akku vollständig, und entfernen Sie ihn dann aus dem Gerät.
- ◆ NiCd-, NiMH- und Lithium-Ionen-Akkus sind recycelbar. Verpacken Sie die Akkus in einem geeigneten Behälter, sodass die Akkukontakte nicht kurzgeschlossen werden können. Bringen Sie die Batterien oder Akkus zu einer autorisierten Vertragswerkstatt oder zu einer Rücknahmestelle in Ihrer Nähe.
- ◆ Achten Sie darauf, dass die Kontakte nicht kurzgeschlossen werden.
- ◆ Werfen Sie die Akkus nicht ins Feuer, da dies Verletzungen oder eine Explosion zur Folge haben kann.

Umweltschutz



Getrennte Entsorgung. Dieses Produkt darf keinesfalls mit dem Hausmüll entsorgt werden.

Sollten Sie Ihr BLACK+DECKER Produkt eines Tages ersetzen oder nicht mehr benötigen, entsorgen Sie es nicht mit dem Hausmüll. Führen Sie das Produkt einer getrennten Sammlung zu.



Durch die getrennte Sammlung von ausgedienten Produkten und Verpackungsmaterialien können Rohstoffe recycelt und wiederverwendet werden. Die Wiederverwendung aufbereiteter Materialien trägt zur Vermeidung der Umweltverschmutzung bei und senkt den Rohstoffbedarf.

Die Verordnung zur Abfallentsorgung Ihrer Gemeinde sieht möglicherweise vor, dass Elektrogeräte getrennt vom Hausmüll gesammelt, an der örtlichen Abfallentsorgungseinrichtung abgegeben oder beim Kauf eines neuen Produkts vom Fachhandel zur Entsorgung angenommen werden müssen.

Technische Daten

		STC1815 STC1820D H 2	STC1820 H 2
Eingangsspannung	V _{ac}	18	18
Leerlaufdrehzahl	min ⁻¹	6200	5500-7400
Gewicht	kg	2.6	2.6

Akku		BL1118	BL1318	BL1518	BL2018	BL4018
Spannung	V _{ac}	18	18	18	18	18
Kapazität	Ah	1.0	1.3	1.5	2.0	4.0
Typ		Lithium- lonen	Lithium- lonen	Lithium- lonen	Lithium- lonen	Lithium- lonen

Ladegerät		905902** (Typ. 1)
Eingangsspannung	V _{ac}	100 - 240
Ausgangsspannung	V _{dc}	8 - 20
Stromstärke	mA	400

Gewichteter Hand-/Arm-Vibrationswert nach EN 786:
= 9.0 m/s, Unsicherheitsfaktor (K) = 1.5 m/s.

L_m (Schalldruck) 76 dB(A)

Unsicherheitsfaktor (K) = 1.6 dB(A)

EG-Konformitätserklärung

**MASCHINENRICHTLINIE
AUSSENLAUTSTÄRKERICHTLINIE**

STC1815/STC1820/STC1820D Rasentrimmer

Black & Decker erklärt, dass die in den technischen Daten beschriebenen Geräte übereinstimmen mit:
2006/42/EG, EN 60335-1:2012+A11:2014,
EN 60335-2-91:2014

2000/14/EG, Rasentrimmer, L ≤ 50 cm, Anhang VIII
DEKRA Certification B.V., Utrechtseweg 310,
6802 ED Arnhem, Niederlande
Gemeldet unter ID Nr.: 0344

Schallpegel gemäß 2000/14/EG (Artikel 12, Anhang III, L ≤ 50 cm):

L_m (gemessene Schalleistung) 90 dB(A),
Unsicherheitsfaktor (K) = 1.6 dB(A)
L_w (garantierte Schalleistung) 92 dB(A),

Diese Produkte entsprechen außerdem den Richtlinien
2014/30/EU und 2011/65/EU.

Weitere Informationen erhalten Sie von Black & Decker unter der folgenden Adresse. Diese befindet sich auch auf der Rückseite dieser Anleitung.

Der Unterzeichnete ist verantwortlich für die Zusammenstellung der technischen Daten und gibt diese Erklärung im Namen von Black & Decker ab.

R. Laverick
Engineering Director
Black & Decker Europe, 210 Bath Road, Slough,
Berkshire, SL1 3YD
United Kingdom
06/12/2016

Garantie

Black & Decker vertraut auf die Qualität der eigenen Geräte und bietet dem Käufer eine außergewöhnliche Garantie. Diese Garantiezusage versteht sich unbeschadet der gesetzlichen Gewährleistungsansprüche und schränkt diese keinesfalls ein. Sie gilt in sämtlichen Mitgliedstaaten der Europäischen Union und der Europäischen Freihandelszone EFTA.

Tritt innerhalb von 24 Monaten ab Kaufdatum an einem Gerät von Black & Decker ein auf Material- oder Verarbeitungsfehler zurückzuführender Mangel auf, garantiert Black & Decker den Austausch defekter Teile, die Reparatur von Geräten abgesehen von normalem Verschleiß sowie den Austausch mangelhafter Geräte mit minimalen Unannehmlichkeiten für den Kunden, allerdings vorbehaltlich folgender Ausnahmen:

- ◆ wenn das Gerät gewerblich, beruflich oder im Verleihgeschäft benutzt wurde;
- ◆ wenn das Gerät missbräuchlich verwendet oder mit mangelnder Sorgfalt behandelt wurde;
- ◆ wenn das Gerät durch irgendwelche Fremdeinwirkung beschädigt wurde;
- ◆ wenn ein unbefugter Reparaturversuch durch anderes Personal als das einer Vertragswerkstatt oder des Black & Decker Kundendienstes unternommen wurde.

Zur Inanspruchnahme dieser Garantie ist dem Verkäufer bzw. der Vertragswerkstatt ein Kaufnachweis vorzulegen. Die Adresse der zuständigen Niederlassung von Black & Decker steht in dieser Anleitung. Dort teilt man Ihnen gerne die nächstgelegene Vertragswerkstatt mit. Eine Liste der Vertragswerkstätten und aller Kundendienststellen von Black & Decker sowie der zuständigen Ansprechpartner finden Sie auch im Internet unter: www.2helpU.com

Bitte besuchen Sie unsere Website www.blackanddecker.de, um Ihr neues BBLACK+DECKER Produkt zu registrieren und über neue Produkte und Sonderangebote informiert zu werden. Weitere Informationen über die Marke BLACK+DECKER und unsere Produkte finden Sie unter www.blackanddecker.de.

Denken Sie daran, Ihr Produkt zu registrieren.

www.blackanddecker.de/productregistration Registrieren Sie Ihr Produkt unter www.blackanddecker.de/productregistration, oder senden Sie Ihren Vornamen, Nachnamen und Produktcode an Ihre regionale BLACK+DECKER Niederlassung.

Utilisation

Votre taille-bordures STC1815, STC1820, STC1820D BLACK+DECKER est conçu pour la coupe et la finition des bordures de pelouse ainsi que pour couper l'herbe dans les espaces restreints. Cet outil est destiné à une utilisation exclusivement domestique.

Consignes de sécurité

Attention ! L'utilisation d'appareils alimentés sur secteur implique le respect de certaines précautions de sécurité élémentaires, y compris les suivantes, afin de réduire les risques d'incendie, d'électrocution, de blessures corporelles et de dégâts matériels.

Attention ! Les consignes de sécurité doivent être respectées pendant l'utilisation. Pour votre propre sécurité ainsi que celle des personnes présentes à proximité, lisez ces instructions avant d'utiliser l'outil. Veuillez conserver les instructions pour un usage ultérieur.

- ◆ Avant d'utiliser l'appareil, lisez attentivement ce manuel dans son intégralité.
- ◆ Ce manuel décrit la manière d'utiliser cet outil. L'utilisation d'un accessoire ou d'une fixation, ou bien l'utilisation de cet appareil à d'autres fins que celles recommandées dans ce manuel d'instruction peut présenter un risque de blessures.
- ◆ Gardez ce manuel pour référence ultérieure.

Utilisation de votre appareil

Prenez toutes les précautions nécessaires pour l'utiliser.

- ◆ Portez toujours des lunettes de sécurité ou de protection.

- ◆ Interdisez l'utilisation de l'appareil aux enfants et autres personnes non familiarisées avec les instructions.
- ◆ Ne laissez pas les enfants ou les animaux s'approcher de la zone de travail ou toucher l'appareil ou le fil électrique.
- ◆ L'utilisation de l'appareil à proximité d'enfants nécessite une étroite surveillance.
- ◆ Cet appareil n'est pas destiné à être utilisé par des personnes jeunes ou déficientes sans surveillance.
- ◆ Cet appareil ne doit pas être utilisé comme jouet.
- ◆ Utilisez cet appareil uniquement dans la journée ou avec un éclairage artificiel approprié.
- ◆ Il doit toujours être utilisé dans des endroits secs et ne doit être mouillé en aucun cas.
- ◆ Ne plongez pas l'appareil dans l'eau.
- ◆ N'ouvrez pas le boîtier. Les pièces à l'intérieur ne sont pas réparables par l'utilisateur.
- ◆ N'utilisez pas l'appareil dans un environnement présentant des risques d'explosion, notamment en présence de liquides, gaz ou poussières inflammables.
- ◆ Pour limiter le risque d'endommagement des prises ou des fils électriques, ne débranchez jamais l'appareil en tirant sur le câble.

Sécurité des personnes

- ◆ Cet appareil ne doit pas être utilisé par des personnes (y compris les enfants) ayant des déficiences physiques, mentales ou sensorielles ou qui manquent d'expérience et de connaissance, sans avoir reçu les instructions appropriées à l'utilisation de l'appareil ou être encadrées par une personne responsable de leur sécurité.
- ◆ Surveillez les enfants afin d'éviter qu'ils jouent avec cet appareil.

Risques résiduels.

L'utilisation d'un outil non mentionné dans les consignes de sécurité données peut entraîner des risques résiduels supplémentaires. Ces risques peuvent survenir si l'appareil est mal utilisé, si l'utilisation est prolongée, etc.

Malgré l'application des normes de sécurité correspondantes et la présence de dispositifs de sécurité, les risques résiduels suivants ne peuvent être évités. Ceci comprend :

- ◆ Les blessures dues au contact avec une pièce mobile/en rotation.
- ◆ Les blessures causées en changeant des pièces, lames ou accessoires.
- ◆ Les blessures dues à l'utilisation prolongée d'un outil. L'utilisation prolongée d'un outil nécessite des pauses régulières.
- ◆ Déficience auditive.

- ◆ Risques pour la santé causés par l'inhalation de poussières produites pendant l'utilisation de l'outil (exemple : travail avec du bois, surtout le chêne, le hêtre et les panneaux en MDF).

Après l'utilisation

- ◆ Quand il n'est pas utilisé, l'appareil doit être rangé dans un endroit suffisamment aéré, sec et hors de portée des enfants.
- ◆ Rangez les appareils hors de portée des enfants.
- ◆ Quand l'appareil est rangé ou transporté dans un véhicule, il doit être installé dans le coffre ou correctement calé pour éviter les mouvements dus aux changements de direction ou de vitesse.

Vérification et réparations

- ◆ Avant d'utiliser l'appareil, vérifiez si aucune pièce n'est endommagée ou défectueuse. Recherchez des pièces cassées et d'autres anomalies susceptibles de nuire au bon fonctionnement de l'appareil.
- ◆ N'utilisez pas l'appareil si une pièce est endommagée ou défectueuse.
- ◆ Faites réparer ou remplacer les pièces défectueuses ou endommagées par un réparateur agréé.
- ◆ Ne tentez jamais de retirer ou de remplacer des pièces autres que celles indiquées dans ce manuel.

Consignes de sécurité supplémentaires pour le taille-bordures

Attention ! Les éléments de coupe continuent de tourner juste après la mise hors tension du moteur.

- ◆ Familiarisez-vous avec les commandes et la manière appropriée d'utiliser l'appareil.
- ◆ Avant l'utilisation, vérifiez l'état du fil électrique et de la rallonge (dommages, usures et vieillissement). Si un câble est endommagé pendant l'utilisation, débranchez immédiatement l'appareil. **NE TOUCHEZ PAS LE CÂBLE AVANT DE L'AVOIR DÉBRANCHE.**
- ◆ N'utilisez pas l'appareil lorsque les câbles sont endommagés ou défectueux.
- ◆ Portez des chaussures épaisses pour protéger vos pieds.
- ◆ Portez un pantalon pour protéger vos jambes.
- ◆ Avant de commencer, retirez les bâtons, cailloux, câbles et autres corps étrangers de la zone à couper.
- ◆ N'utilisez l'appareil que verticalement avec le fil de coupe au niveau du sol. Ne démarrez jamais l'appareil dans une autre position.
- ◆ Déplacez-vous lentement pendant l'utilisation de l'appareil. N'oubliez pas que l'herbe fraîchement coupée est glissante.
- ◆ Ne travaillez pas sur des pentes trop raides. Ne travaillez jamais de haut en bas.
- ◆ Ne traversez jamais des passages recouvert de gravier quand l'appareil fonctionne.
- ◆ Ne touchez jamais le fil de coupe quand l'appareil fonctionne.
- ◆ Ne posez pas l'appareil avant l'arrêt complet du fil de coupe.
- ◆ N'utilisez que le type de fil de coupe approprié. N'utilisez jamais un fil de coupe en métal ou un fil de pêche.
- ◆ Prenez les précautions nécessaires pour ne pas toucher la lame.
- ◆ Prenez les précautions nécessaires pour que le câble secteur soit éloigné du fil de coupe. Vérifiez toujours la position du câble.
- ◆ Gardez toujours les pieds et les mains éloignés du fil de coupe particulièrement au démarrage du moteur.
- ◆ Avant d'utiliser l'appareil et après un choc, recherchez des signes d'usure ou de dommages et réparez, le cas échéant.
- ◆ Ne faites jamais fonctionner l'appareil avec des protections endommagées ou sans protection.
- ◆ Prenez les précautions nécessaires pour éviter de vous blesser avec les dispositifs de réglage du fil. Une fois le nouveau fil de coupe tiré, avant de remettre l'appareil en marche, remplacez-le en position normale de fonctionnement.
- ◆ Aucun débris ne doit se trouver sur les aérations.

- N'utilisez pas le taille-bordures lorsque les câbles sont endommagés ou défectueux.
- Éloignez les rallonges des éléments de coupe.

Consignes de sécurité supplémentaires concernant les batteries et les chargeurs

Batteries

- N'essayez jamais d'ouvrir l'outil.
- N'exposez pas la batterie à l'eau.
- Ne rangez pas l'appareil dans des endroits où la température peut dépasser 40 °C.
- Ne chargez qu'à la température ambiante comprise entre 10 °C et 40 °C.
- Utilisez exclusivement le chargeur fourni avec l'outil.
- Pour la mise au rebut des batteries, respectez les instructions mentionnées à la section « Protection de l'environnement ».

Chargeurs

- Utilisez votre chargeur BLACK+DECKER exclusivement pour charger la batterie fournie avec l'outil. D'autres batteries pourraient exploser et provoquer des blessures corporelles et des dommages.
- Ne tentez jamais de charger des batteries non rechargeables.
- Remplacez immédiatement les cordons endommagés.
- N'exposez pas le chargeur à l'eau.
- N'ouvrez pas le chargeur.

- Ne testez pas le chargeur.



Le chargeur ne peut être utilisé qu'à l'intérieur.



Lisez le manuel d'instruction avant d'utiliser l'outil.

Sécurité électrique



Votre chargeur est doublement isolé. Par conséquent, aucun câble de terre n'est nécessaire. Vérifiez toujours si la tension indiquée sur la plaque signalétique de l'appareil correspond à la tension de secteur. N'essayez jamais de remplacer le chargeur par une prise secteur.

- Si le câble d'alimentation est endommagé, il doit être remplacé par le fabricant ou par un Centre de réparation agréé BLACK+DECKER afin d'éviter tout accident.

Étiquettes apposées sur l'appareil

Outre le code de date, les symboles suivants sont apposés sur l'outil :



Lisez le manuel avant la mise en marche.



Portez toujours des lunettes de sécurité pour utiliser cet appareil.



Portez toujours des protections auditives appropriées pour utiliser cet appareil.



Débranchez toujours la prise du courant avant de vérifier un câble endommagé. N'utilisez pas votre taille-bordures si un câble est endommagé.



Attention aux projections. Éloignez toute personne des zones de découpe.



N'exposez pas l'appareil à la pluie ou à l'humidité.



Normes 2000/14/CE, puissance sonore garantie.

Fonctionnalités

Cet appareil présente la totalité ou une partie des caractéristiques suivantes :

1. Interrupteur marche/arrêt
2. Poignée
3. Bouton de déverrouillage
4. Batterie
5. Deuxième poignée
6. Protection
7. Boîtier de bobine
8. Bloc
9. Sélecteur de puissance (STC1820 seulement)
10. Roue de guidage (STC1820 & STC1820D seulement)
11. Guide-bordure (STC1815 seulement)

Assemblage

Attention ! Avant l'assemblage, assurez-vous que l'outil est hors tension et que la batterie a été retirée.

Fixation de la protection (figure A&B)

- ◆ Retirez la vis de la protection.
- ◆ Maintenez la protection (6) d'équerre avec le bloc (8). Glissez-la en position jusqu'à enclenchement des pattes de fixation (les rails de guidage (12) de la protection (6) doivent être correctement alignés sur les rails de guidage (13) du bloc (8)).
- ◆ Fixez la protection (6) avec la vis (14).

Attention ! N'utilisez jamais l'outil lorsque la protection n'est pas correctement installée.

Fixation de la deuxième poignée (figure C)

- ◆ Appuyez de manière prolongée sur les deux boutons (15) situés sur le côté de la poignée.
- ◆ Glissez la deuxième poignée (5) au dessus des boutons (15).

Attention ! Assurez-vous que les dents sur le bouton sont correctement alignées dans les rainures de la poignée et que la poignée est bien fixée.

Réglage de la position de la deuxième poignée (figure D)

La deuxième poignée (5) peut être réglée pour offrir un maximum de confort et d'équilibre.

- ◆ Appuyez sur le bouton (15) situé sur le côté gauche de la poignée.
- ◆ Tournez la deuxième poignée (5) dans la position requise.
- ◆ Relâchez le bouton (15).

Attention ! Assurez-vous que les dents sur le bouton sont correctement alignées dans les rainures de la poignée et que la poignée est bien fixée.

Réglage de la hauteur de l'outil (figure E)

Cet outil est doté d'un mécanisme télescopique qui permet de le régler sur une hauteur confortable. Plusieurs réglages de hauteur sont disponibles.

Pour régler la hauteur, effectuez ce qui suit :

- ◆ Desserrez la bague de réglage (16) en la faisant tourner dans le sens des aiguilles d'une montre.
- ◆ Entrez ou sortez délicatement le tube (17) de la poignée (2) pour obtenir la hauteur désirée.
- ◆ Serrez la bague de réglage (16) en la tournant dans le sens inverse des aiguilles d'une montre.

Dégagement du fil de coupe

Pendant le transport, le fil de coupe est maintenu sur le boîtier de la bobine avec de l'adhésif.

Attention ! Avant l'assemblage, retirez la batterie de l'outil.

- ◆ Retirez l'adhésif qui maintient le fil de coupe sur le boîtier de la bobine (7).

Installation et retrait de la batterie (figure F)

- ◆ Pour installer la batterie (4), alignez-la avec le boîtier sur l'outil. Glissez la batterie dans le boîtier et poussez-la jusqu'à ce qu'elle se bloque en position.
- ◆ Pour retirer la batterie, appuyez sur le bouton de déverrouillage (18) en tirant simultanément la batterie (6) hors du boîtier.

Utilisation

Attention ! Laissez l'outil fonctionner à sa propre vitesse. Ne le poussez pas au-delà de sa limite.

Charge de la batterie (figure G)

La batterie doit être chargée avant la première utilisation et chaque fois qu'elle ne produit plus une alimentation suffisante. La batterie peut chauffer pendant la charge. Ceci est un phénomène normal qui ne présente pas un problème.

Attention ! Ne chargez pas la batterie si la température ambiante est inférieure à 10 °C ou supérieure à 40 °C. Température de charge recommandée : environ 24 °C.

Remarque : Le chargeur ne chargera pas le bloc-batteries si la température de l'élément est inférieure à environ 10 °C ou supérieure à 40 °C.

La batterie doit rester dans le chargeur et le chargeur commence automatiquement la charge quand la température de l'élément se réchauffe ou se refroidit.

- ◆ Pour charger la batterie (4), insérez-la dans le chargeur (19). Il n'y a qu'un moyen d'insérer la batterie dans le chargeur. Ne forcez pas. Assurez-vous que la batterie est complètement enclenchée dans le chargeur.
- ◆ Branchez le chargeur sur l'alimentation secteur et mettez-le sous tension.

Le témoin de charge (20) clignote continuellement en vert (lentement).

La charge est terminée quand le témoin de charge (20) brille continuellement en vert. Le chargeur et la batterie peuvent rester connectés en permanence avec le témoin allumé.

Le témoin peut se mettre à clignoter en vert (charge) si le chargeur détecte qu'il faut compléter la charge de la batterie. Le témoin de charge (20) demeure allumé aussi longtemps que la batterie est branchée au chargeur connecté.

- ◆ Rechargez les batteries toutes les semaines. Il est préférable de ne pas ranger la batterie si elle est déchargée. La durée de vie de la batterie en serait limitée.

Batterie en place dans le chargeur

Le chargeur et le bloc-batteries peuvent restés connectés en permanence avec le témoin allumé. Le chargeur maintient le bloc-batteries complètement chargé.

Diagnostique du chargeur

Si le chargeur détecte un endommagement ou une usure de la batterie, le témoin de charge (20) clignote rapidement en rouge. Procédez comme suit :

- ◆ Réinsérez la batterie (4).
- ◆ Si les témoins de charge continuent de clignoter rapidement en rouge, déterminez à l'aide d'une autre batterie si le processus de charge fonctionne correctement.
- ◆ Si la batterie d'essai se charge correctement, la batterie d'origine est défectueuse et doit être renvoyée au centre de réparation pour être recyclée.
- ◆ Si la nouvelle batterie signale le même problème, demandez à un centre de réparation autorisé de tester le chargeur.

Remarque : la détection de la défaillance peut prendre jusqu'à 30 minutes. Si la batterie est trop chaude ou trop froide, le témoin alterne un clignotement lent, puis un clignotement rapide en rouge et ainsi de suite.

Réglage en mode taille ou en mode bordure (figure H,I,J,&K)

L'outil peut être utilisé en mode taille, comme indiqué à la figure H ou en mode bordure pour égaliser l'herbe qui dépasse le long des pelouses et des parterres de fleurs, comme illustré à la figure I.

Mode taille (figure E,H&J)

Pour tailler, le bloc doit être dans la position indiquée à la figure J. Si ce n'est pas le cas :

- ◆ Retirez la batterie de l'outil.
- ◆ Desserrez la bague de réglage (16) en la faisant tourner dans le sens des aiguilles d'une montre.
- ◆ En maintenant la poignée (2), tournez le bloc (8) dans le sens des aiguilles d'une montre.
- ◆ Serrez la bague de réglage (16) en la tournant dans le sens inverse des aiguilles d'une montre.

Remarque : Remarque : Le bloc ne tourne que dans un sens.

Mode bordure (figure E,I&K)

Pour les bordures, le bloc doit être dans la position indiquée à la figure K. Si ce n'est pas le cas :

- ◆ Retirez la batterie de l'outil.
- ◆ Desserrez la bague de réglage (16) en la faisant tourner dans le sens des aiguilles d'une montre.

- ◆ En maintenant la poignée (2), tournez le bloc (8) dans le sens inverse des aiguilles d'une montre.
- ◆ Serrez la bague de réglage (16) en la tournant dans le sens inverse des aiguilles d'une montre.

Remarque : Le bloc ne tourne que dans un sens.

Mise en marche et arrêt

- ◆ Pour mettre l'outil en marche, appuyez de manière prolongée sur le bouton de déverrouillage (3), puis sollicitez le déclencheur (1). Une fois que l'outil est en marche, vous pouvez relâcher le bouton de déverrouillage (3).
- ◆ Pour arrêter l'outil, relâchez le déclencheur.

Attention ! N'essayez jamais de bloquer le déclencheur en position marche.

Sélecteur de puissance (STC1820 seulement)

La fonction d'augmentation de puissance (9) se trouve sur la poignée de l'outil. Elle vous permet d'optimiser les performances de l'outil et d'augmenter la puissance en cas de besoin.

- ◆ Utilisez l'outil en mode « ECO » dans la plupart des situations de taille. (Cela permet de prolonger la durée d'autonomie.)
- ◆ Passez en mode TURBO quand l'herbe est haute, humide ou épaisse.

Conseils pour une utilisation optimale

Généralités

- ◆ Pour obtenir les meilleurs résultats, l'herbe doit être sèche.

Taille

- ◆ Tenez l'outil comme illustré à la figure J
- ◆ Balancez légèrement le taille-bordures d'un côté à l'autre.
- ◆ Lorsque l'herbe est haute, coupez-la progressivement en plusieurs fois en commençant par le haut. Faites des petites coupes.
- ◆ Éloignez l'outil des plantes délicates et des objets durs.
- ◆ Le fil de coupe s'use rapidement et doit être changé plus souvent si la coupe est le long des trottoirs ou autres surfaces abrasives ainsi que pour la coupe de racines épaisses.
- ◆ Si l'outil commence à ralentir, réduisez la charge.

Taille de bordures

Pour obtenir les meilleurs résultats, les bordures doivent avoir une profondeur supérieure à 50 mm.

- ◆ N'utilisez pas cet outil pour créer des bordures. Pour créer des bordures, utilisez une bêche.
- ◆ Guidez l'outil sur sa roue (10) ou sur le guide-bordure (11), comme illustré à la figure K.
- ◆ Pour effectuer une coupe précise, inclinez légèrement l'outil.

Installation d'une nouvelle bobine de fil de coupe (figure L)

Vous trouverez des bobines de fil de coupe chez votre revendeur BLACK+DECKER (cat. n° A6481).

- ◆ Retirez la batterie de l'outil.

- ◆ Appuyez sur les pattes (21) et retirez le cache-bobine (22) du boîtier (7).
- ◆ Retirez la bobine vide (23) du boîtier.
- ◆ Éliminez la poussière et l'herbe du cache-bobine et du boîtier.
- ◆ Prenez une nouvelle bobine et poussez-la sur l'axe dans le boîtier. Tournez la bobine sans forcer jusqu'à ce qu'elle soit installée.
- ◆ Détachez l'extrémité du fil de coupe et guidez le fil dans l'œillet (24). Une longueur d'environ 11 cm de fil doit sortir du cache-bobine.
- ◆ Alignez les pattes (21) du cache-bobine sur les trous (25) du boîtier.
- ◆ Poussez le cache sur le boîtier jusqu'à ce qu'il soit fermement installé.

Attention ! Si les fils de coupe dépassent de la lame (26), coupez-les pour qu'ils soient au niveau de la lame.

Rembobinage d'un nouveau fil de coupe sur une bobine vide (M,N&O)

Vous pouvez rembobiner un nouveau fil de coupe sur une bobine vide.

Les kits de fil de coupe de remplacement sont disponibles chez votre revendeur BLACK+DECKER (cat. n° A6170 (25 m), A6171 (40 m)).

- ◆ Retirez la bobine vide de l'outil, comme décrit plus haut.
- ◆ Retirez le reste de fil de coupe de la bobine.
- ◆ Passez 2 cm de fil de coupe dans le trou (27) de la bobine, comme illustré (M).
- ◆ Tordez le fil de coupe et accrochez-le dans l'encoche en forme de L (28).
- ◆ Enroulez le fil de coupe sur la bobine dans le sens de la flèche. Enroulez correctement le fil et de manière progressive. Ne le croisez pas (figure O).
- ◆ Quand le fil de coupe usé atteint les renforcements (29), coupez le fil. Laissez le fil dépasser d'environ 11 cm de la bobine et gardez un doigt sur le fil pour le maintenir en place (figure N).
- ◆ Suivez la procédure décrite plus haut pour placer la bobine sur l'outil.

Attention ! N'utilisez que le type de fil de coupe BLACK+DECKER approprié.

Dépannage

Si l'outil ne fonctionne pas, suivez les instructions ci-dessous. Si le problème n'est pas résolu, veuillez contacter votre réparateur local BLACK+DECKER.

Attention ! Débranchez l'outil avant de commencer.

Fonctionnement lent

- ◆ Vérifiez le mouvement de rotation du boîtier de bobine. Nettoyez-le, le cas échéant.
- ◆ Assurez-vous que le fil de coupe ne dépasse pas de plus de 11 cm du boîtier de la bobine. Si c'est le cas, coupez-le pour qu'il soit au niveau de la lame.

Problème de déroulement automatique du fil

- ◆ Appuyez sur les pattes et retirez le cache-bobine du boîtier.

- ◆ Tirez sur le fil de coupe jusqu'à ce qu'il dépasse de 11 cm du boîtier. S'il n'y a pas assez de fil dans la bobine, installez une nouvelle bobine, en suivant le processus ci-dessus.
- ◆ Alignez les pattes sur le cache-bobine avec les trous sur le boîtier.
- ◆ Enclenchez le cache sur le boîtier.
- ◆ Si le fil de coupe dépasse de la lame, coupez-le pour qu'il soit au niveau de la lame.

Si le déroulement automatique du fil ne fonctionne pas ou si la bobine est emmêlée, effectuez ce qui suit :

- ◆ Nettoyez avec précaution le cache-bobine et le boîtier.
- ◆ Retirez la bobine et vérifiez le mouvement du levier.
- ◆ Retirez la bobine et déroulez le fil de coupe, puis rembobinez-le correctement, comme décrit plus haut. Remplacez la bobine, comme indiqué.

Entretien

Votre appareil/outil sans fil/avec fil BLACK+DECKER a été conçu pour fonctionner pendant longtemps avec un minimum d'entretien. Un fonctionnement continu satisfaisant dépend d'un nettoyage régulier et d'un entretien approprié de l'appareil/outil.

Aucun entretien particulier n'est nécessaire pour le chargeur en dehors du nettoyage régulier.

Attention ! À ne pas oublier avant l'entretien des appareils électriques sans fil/avec fil :

- ◆ Arrêtez l'appareil/outil, puis débranchez-le.
- ◆ Ou, arrêtez l'appareil et retirez la batterie de l'appareil/outil si celui-ci est muni d'un bloc-batterie séparé.
- ◆ Ou bien déchargez complètement la batterie si elle est intégrée au système, puis arrêtez l'appareil (position Off).
- ◆ Débranchez le chargeur avant de le nettoyer. Aucun entretien particulier n'est nécessaire pour le chargeur en dehors du nettoyage régulier.
- ◆ Nettoyez régulièrement les orifices de ventilation de votre appareil/outil/chargeur à l'aide d'une brosse souple ou d'un chiffon sec.
- ◆ Nettoyez régulièrement le compartiment du moteur à l'aide d'un chiffon humide. N'utilisez pas de produit abrasif ou à base de solvant.
- ◆ Nettoyez régulièrement le fil de coupe et la bobine à l'aide d'une brosse souple ou d'un chiffon sec.
- ◆ Utilisez régulièrement un racleur pour retirer l'herbe et les saletés sous la protection.

Protection de l'environnement



Recyclage. Cet appareil ne doit pas être jeté avec les déchets ménagers.

Si votre appareil/outil BLACK+DECKER doit être remplacé ou si vous ne l'utilisez plus, ne le jetez pas avec les ordures ménagères. Songez à la protection de l'environnement et recyclez-le.



La collecte séparée des produits et des emballages usagés permet de recycler et de réutiliser des matériaux.

La réutilisation de matériaux recyclés évite la pollution de l'environnement et réduit la demande de matières premières.

Des réglementations locales peuvent stipuler la collecte séparée des produits électriques et des produits ménagers, dans des déchetteries municipales ou par le revendeur lorsque vous achetez un nouveau produit.

BLACK+DECKER offre une solution permettant de recycler les produits BLACK+DECKER lorsqu'ils ont atteint la fin de leur cycle de vie. Pour pouvoir profiter de ce service, veuillez retourner votre produit à un réparateur agréé qui se chargera de le collecter pour nous.

Pour connaître l'adresse du réparateur agréé le plus proche de chez vous, contactez le bureau BLACK+DECKER à l'adresse indiquée dans ce manuel. Une liste de réparateurs agréés BLACK+DECKER et de plus amples détails au sujet de notre service après-vente sont aussi proposés sur le site Internet à l'adresse suivante : www.2helpU.com

Piles



Lorsque les batteries sont arrivées en fin de vie utile, éliminez-les en respectant l'environnement.

- ◆ Déchargez complètement la batterie, puis retirez-la de l'outil.
- ◆ Les batteries NiCd, NiMH et Li-Ion sont recyclables. Placez la ou les batteries dans un emballage approprié pour éviter un court-circuit des bornes. Déposez-les chez un technicien d'entretien agréé ou dans un centre de recyclage local.
- ◆ Ne court-circuitiez pas les bornes des piles.
- ◆ Ne jetez pas les batteries au feu, car elles pourraient exploser ou provoquer des blessures corporelles.

Caractéristiques techniques

		STC1815 STC1820D H 2	STC1820 H 2
Tension d'entrée	V_{ac}	18	18
Vitesse à vide	min^{-1}	6200	5500-7400
Poids	kg	2,6	2,6

Batterie		BL1118	BL1318	BL1518	BL2018	BL4018
Tension	V_{ac}	18	18	18	18	18
Capacité	Ah	1.0	1.3	1.5	2.0	4.0
Type		Li-Ion	Li-Ion	Li-Ion	Li-Ion	Li-Ion

Chargeur		905902** (type 1)
Tension d'entrée	V_{ac}	100 - 240
Tension de sortie	V_{ac}	8 - 20
Courant	mA	400

Niveau de vibration main/bras selon la norme EN 786 :
= 9.0 m/s², incertitude (K) = 1.5 m/s².

L_{pA} (pression sonore) 76 dB(A)
incertitude (K) = 1.6 dB(A)

Déclaration de conformité CE
CONSIGNES DE MACHINERIE
CONSIGNES NUISANCES SONORES
EXTÉRIEURES



STC1815/STC1820/STC1820D taille-bordures

Black & Decker confirme que les produits décrits dans les « Caractéristiques techniques » sont conformes aux normes : 2006/42/CE, EN 60335-1:2012+A11:2014, EN 60335-2-91:2014

2000/14/CE, Taille-bordures, L ≤ 50 cm, Annexe VIII DEKRA Certification B.V., Utrechtseweg 310, 6802 ED Arnhem, Pays-Bas
 N° ID corps : 0344

Niveau de puissance sonore selon la norme 2000/14/CE (Article 12, Annexe III, L ≤ 50 cm) :
 L_{wa} (puissance sonore mesurée) 90 dB(A)
 incertitude (K) = 1,6 dB(A)
 L_{wa} (puissance sonore garantie) 92 dB(A)

Ces produits sont conformes aux Directives 2014/30/EU et 2011/65/UE.

Pour plus de détails, veuillez contacter Black & Decker à l'adresse suivante ou reportez-vous au dos du manuel. Le soussigné est responsable des données de la fiche technique et fait cette déclaration au nom de Black & Decker.

R. Laverick
 Engineering Director
 Black & Decker Europe, 210 Bath Road, Slough,
 Berkshire, SL1 3YD
 United Kingdom
 06/12/2016

Garantie

Black & Decker assure la qualité de ses produits et vous offre une garantie très élargie. Ce certificat de garantie est un document supplémentaire et ne peut en aucun cas se substituer à vos droits légaux. La garantie est valable sur tout le territoire des États Membres de l'Union Européenne et de la Zone de Libre Échange Européenne.

Si un produit Black & Decker s'avère défectueux en raison de matériaux défectueux, d'une contrefaçon ou d'un manque de conformité, dans les 24 mois suivant la date d'achat, Black & Decker garantit le remplacement des pièces défectueuses, la réparation des produits sujets à l'usure normale ou le remplacement de ces produits en veillant à minimiser les inconvénients pour le client, sauf dans les circonstances suivantes :

- ◆ Le produit a été utilisé dans un but commercial, professionnel, ou a été loué;
- ◆ Le produit a été mal utilisé ou utilisé avec négligence;
- ◆ Le produit a subi des dommages à cause d'objets étrangers, de substances ou à cause d'accidents;
- ◆ Des réparations ont été tentées par des techniciens ne faisant pas partie du service technique de Black & Decker.

Pour avoir recours à la garantie, il est nécessaire de fournir une preuve d'achat au vendeur ou à un réparateur agréé. Pour connaître l'adresse du réparateur agréé le plus proche de chez vous, contactez le bureau Black & Decker à l'adresse indiquée dans ce manuel. Une liste de réparateurs agréés Black & Decker et de plus amples détails au sujet de notre service après-vente sont aussi proposés sur le site Internet à l'adresse suivante : www.2helpU.com

Visitez notre site Web www.blackanddecker.fr pour enregistrer votre nouveau produit BLACK+DECKER et être informé des nouveaux produits et des offres spéciales. Pour plus d'informations concernant la marque BLACK+DECKER et notre gamme de produits, consultez notre site www.blackanddecker.fr

N'oubliez pas d'enregistrer votre produit !

www.blackanddecker.fr/productregistration Enregistrez votre produit en ligne sur www.blackanddecker.fr/productregistration ou envoyez votre nom, prénom et code produit au siège BLACK+DECKER de votre pays.

Uso previsto

Il decespugliatore tagliabordi STC1815, STC1820, STC1820D BLACK+DECKER è stato progettato per tagliare e rifinire i bordi dei prati e per tosare l'erba in spazi ristretti. Questo elettroutensile è stato progettato solo per uso individuale.

Istruzioni di sicurezza

Avvertenza! Quando si usano elettroutensili alimentati elettricamente, osservare sempre le normali precauzioni di sicurezza per ridurre il rischio di incendio, scosse elettriche, lesioni personali e danni materiali.

Avvertenza! Osservare i regolamenti di sicurezza quando si usa l'elettroutensile. Per la propria incolumità e quella degli osservatori, leggere queste istruzioni prima di usare l'elettroutensile. Conservare le istruzioni in un luogo sicuro per utilizzo futuro.

- ◆ Leggere attentamente il presente manuale prima di usare l'elettroutensile.
- ◆ L'uso previsto è descritto nel presente manuale. Se questo elettroutensile viene usato con accessori o per usi diversi da quelli raccomandati nel presente manuale d'uso, si potrebbero verificare lesioni personali.
- ◆ Conservare il presente manuale per futura consultazione.

Utilizzo dell'elettroutensile

Prestare sempre attenzione quando si usa l'elettroutensile.

- ◆ Indossare sempre occhiali di sicurezza.
- ◆ Vietare l'uso dell'elettroutensile a bambini e ad adulti che non abbiano letto il presente manuale.

- ◆ Vietare a bambini o ad animali di avvicinarsi all'area di lavoro o di toccare l'elettroutensile o il filo di alimentazione.
- ◆ Prestare la massima attenzione quando si usa l'elettroutensile vicino ai bambini.
- ◆ L'utilizzo di questo elettroutensile non è destinato a ragazzi o persone inferme senza supervisione.
- ◆ Questo elettroutensile non deve essere usato come un giocattolo.
- ◆ Usare l'elettroutensile solo alla luce del giorno o con una buona luce artificiale.
- ◆ Usare solo in un luogo asciutto. Evitare che l'elettroutensile si bagni.
- ◆ Non immergere l'elettroutensile in acqua.
- ◆ Non aprire il corpo dell'elettroutensile, dato che al suo interno non vi sono componenti riparabili.
- ◆ Evitare di impiegare questo elettroutensile in ambienti esposti al rischio di esplosione, ad esempio in presenza di liquidi, gas o polveri infiammabili.
- ◆ Per ridurre il rischio di danni a spine o fili, non tirare mai il filo per scollegare la spina da una presa.

Sicurezza altrui

- ◆ Questo elettroutensile non è stato progettato per impiego da parte di persone (o bambini) portatrici di handicap fisici, psichici o sensoriali o che non abbiano la dovuta esperienza o conoscenza, a meno che non siano seguite o opportunamente istruite sul suo impiego da parte di una persona responsabile della loro sicurezza.
- ◆ Controllare che i bambini non giochino con l'elettroutensile.

Rischi residui.

Quando si usa l'elettroutensile, possono esservi altri rischi residui che possono non essere stati contemplati negli avvisi di sicurezza allegati. Tali rischi possono sorgere a seguito di un uso prolungato o improprio, ecc.

Perfino adottando gli appositi regolamenti di sicurezza e utilizzando i dispositivi di sicurezza, certi rischi residui non possono essere evitati. Essi comprendono:

- ◆ Lesioni causate o subite a seguito del contatto con parti rotanti/in movimento.
- ◆ Lesioni causate o subite durante la sostituzione di parti, lame o accessori.
- ◆ Lesioni causate dall'impiego prolungato di un elettroutensile. Quando si usa qualsiasi elettroutensile per lunghi periodi, accertarsi di fare regolarmente delle pause.
- ◆ Problemi di udito.

- ◆ Rischi per la salute causati dall'aspirazione di polvere generata dall'utilizzo dell'elettroutensile (ad esempio quando si lavora con il legno, in modo particolare quello di quercia, faggio o l'MDF.)

Dopo l'impiego

- ◆ Quando non viene usato, l'elettroutensile deve essere conservato in un luogo asciutto e ben ventilato, fuori dalla portata dei bambini.
- ◆ Gli elettroutensili non devono essere riposti alla portata dei bambini.
- ◆ Se viene conservato o trasportato in un veicolo, l'elettroutensile deve essere messo nel bagagliaio o legato per evitare che si sposti in caso di cambiamento repentino della velocità o della direzione di marcia.

Ispezione e riparazioni

- ◆ Prima dell'impiego, controllare che l'elettroutensile non sia danneggiato e non presenti parti difettose. Controllare che non vi siano parti rotte o altre condizioni che potrebbero avere ripercussioni sulle prestazioni.
- ◆ Non usare l'elettroutensile se alcune parti sono danneggiate o difettose.
- ◆ Far riparare o sostituire le parti danneggiate o difettose da un tecnico autorizzato.
- ◆ Non tentare di smontare o sostituire qualsiasi parte ad eccezione di quelle specificate nel presente manuale.

Altre precauzioni di sicurezza per i decespugliatori tagliabordi

Avvertenza! I fili da taglio continuano a girare dopo lo spegnimento del motore.

- ◆ Imparare bene i comandi e come usare in modo appropriato l'elettrotensile.
- ◆ Prima dell'uso, controllare che il filo di alimentazione e il cavo di prolunga non presentino segni di danni, invecchiamento e usura. Se il filo di alimentazione subisce danni durante l'uso, scollegarlo immediatamente dalla presa di corrente. **NON TOCCARE IL FILO DI ALIMENTAZIONE PRIMA DI AVERLO SCOLLEGATO DALLA PRESA DI CORRENTE.**
- ◆ Non usare l'elettrotensile se i fili di alimentazione sono danneggiati o usurati.
- ◆ Indossare scarpe o stivali robusti per proteggere i piedi.
- ◆ Indossare calzoni lunghi per proteggere le gambe.
- ◆ Prima di iniziare a usare l'elettrotensile, controllare che lungo il percorso in cui si deve lavorare, non vi siano bastoncini, pietre, fili elettrici e altri ostacoli.
- ◆ Usare l'elettrotensile solo in posizione verticale e con il filo da taglio vicino a terra. Non spegnere mai l'elettrotensile in qualsiasi altra posizione.
- ◆ Spostarsi lentamente quando si usa l'elettrotensile. Ricordare che l'erba appena tagliata è umida e sdruciolevole.
- ◆ Non lavorare su pendii ripidi. Lavorare trasversalmente su di un pendio e mai procedendo verticalmente in su e in giù.
- ◆ Non attraversare mai strade o sentieri coperti di ghiaia con l'elettrotensile acceso.
- ◆ Non toccare mai il filo da taglio quando l'elettrotensile è acceso.
- ◆ Non appoggiare a terra l'elettrotensile fino a quando il filo da taglio non si è completamente fermato.
- ◆ Usare solo il corretto tipo di filo da taglio. Non usare mai filo da taglio in metallo o una lenza.
- ◆ Prestare attenzione a non toccare la lama di tranciatura del filo.
- ◆ Prestare attenzione a tenere sempre lontano il filo di alimentazione da quello da taglio. Essere sempre consapevoli di dove si trova il filo di alimentazione.
- ◆ Tenere sempre mani e piedi lontani dal filo da taglio, in modo particolare quando si accende il motore.
- ◆ Prima di usare l'elettrotensile e dopo ogni impatto, controllare che non vi siano segni di usura o danni e riparare come richiesto.
- ◆ Non far mai funzionare l'elettrotensile con le protezioni danneggiate o smontate.

- ◆ Proteggersi da eventuali lesioni che potrebbero essere causate dai dispositivi montati per la tranciatura di una lunghezza di filo da taglio. Dopo aver srotolato una nuova lunghezza di filo da taglio, riportare sempre l'elettrotensile nella normale posizione di funzionamento prima di accenderlo.
- ◆ Verificare sempre che le fessure di ventilazione siano mantenute pulite e prive di impurità.
- ◆ Non usare il decespugliatore (tagliabordi) se i fili di alimentazione sono danneggiati o usurati.
- ◆ Tenere i cavi di prolunga lontano dagli elementi da taglio.

Ulteriori istruzioni di sicurezza per batterie e alimentatori

Batterie

- ◆ Non tentare di aprirle per qualsiasi ragione.
- ◆ Non lasciare che la batteria si bagni.
- ◆ Non riporre in luoghi dove la temperatura potrebbe superare i 40 °C.
- ◆ Caricare solo a temperature ambiente tra 10 °C e 40 °C.
- ◆ Caricare solo usando il caricabatterie fornito con l'elettrotensile.
- ◆ Quando si smaltiscono le batterie, seguire le istruzioni riportate al capitolo "Protezione dell'ambiente".

Alimentatori

- ◆ Usare il caricabatterie BLACK+DECKER solo per caricare la batteria nell'apparecchio con il quale è stato fornito. Altre batterie potrebbero scoppiare causando lesioni alle persone e danni.
- ◆ Non tentare mai di ricaricare batterie non ricaricabili.
- ◆ Fare sostituire immediatamente i fili di alimentazione difettosi.
- ◆ Non lasciare che il caricabatterie si bagni.
- ◆ Non aprire il caricabatterie.
- ◆ Non collegare il caricabatterie a sonde.



Il caricabatterie può solo essere usato all'interno.



Leggere il presente manuale d'uso prima dell'impiego.

Sicurezza elettrica



Il doppio isolamento di cui è provvisto il caricabatterie rende superfluo il filo di terra. Controllare sempre che la tensione di rete corrisponda a quella indicata sulla targhetta dei dati tecnici. Non tentare mai di sostituire il caricabatterie con una normale spina elettrica.

- ◆ In caso di danneggiamento del filo di alimentazione, è necessario farlo riparare dal fabbricante o presso un centro assistenza BLACK+DECKER autorizzato in modo da evitare eventuali pericoli.

Etichette sull'elettrotensile

Sull'elettrotensile sono presenti i seguenti simboli assieme al codice data:



Leggere il manuale prima dell'utilizzo.



Indossare occhiali di sicurezza quando si usa l'elettrotensile.



Indossare otoprotezioni idonee quando si usa l'elettrotensile.



Estrarre sempre la spina dalla presa prima di ispezionare un filo di alimentazione danneggiato. Fare attenzione a non adoperare il tagliabordi se il filo di alimentazione è danneggiato.



Fare attenzione agli oggetti lanciati in aria. Tenere gli osservatori lontani dalla zona di taglio.



Non esporre l'elettrotensile alla pioggia o a un'umidità intensa.



Pressione sonora garantita in base alla direttiva 2000/14/CE.

Caratteristiche

Si indicano di seguito le caratteristiche di cui è dotato questo elettrotensile.

1. Interruttore di accensione
2. Impugnatura
3. Pulsante di sicurezza
4. Batteria
5. Seconda impugnatura
6. Protezione
7. Alloggiamento bobina
8. Testa

9. Selezione potenza (solo STC1820)
10. Rotella per bordo (solo STC1820 & STC1820D)
11. Guida per bordo (solo STC1815)

Montaggio

Attenzione! Prima di montarlo, assicurarsi che l'elettrotensile sia spento e che la batteria sia stata rimossa.

Montaggio della protezione (fig. A&B)

- ◆ Svitare la vite dalla protezione.
- ◆ Tenendo la protezione (6) ad angolo retto rispetto alla testa del tagliabordi (8) farla scorrere in sede fino a quando la linguetta di ritenuta si aggancia. Verificare che le barre di guida (12) sulla protezione (6) siano correttamente allineate alle barre di guida (13) sulla testa del tagliabordi (8).
- ◆ Fissare la protezione (6) con la vite (14).

Attenzione! Non usare mai l'elettrotensile senza la protezione montata correttamente.

Montaggio della seconda impugnatura (fig. C)

- ◆ Premere e tenere premuti entrambi i pulsanti (15) sul lato dell'impugnatura.
- ◆ Far scorrere in sede la seconda impugnatura (5) sopra i pulsanti (15).

Attenzione! Accertarsi che i denti sul pulsante siano allineati correttamente nelle fessure dell'impugnatura e che l'impugnatura sia ben salda.

Regolazione della posizione dell'impugnatura secondaria (fig. D)

La seconda impugnatura (5) può essere regolata per fornire l'equilibrio ottimale e il massimo comfort.

- ◆ Premere il pulsante (15) sul lato sinistro dell'impugnatura.
- ◆ Ruotare la seconda impugnatura (5) nella posizione desiderata.
- ◆ Rilasciare il pulsante (15).

Attenzione! Accertarsi che i denti sul pulsante siano allineati correttamente nelle fessure dell'impugnatura e che l'impugnatura sia ben salda.

Regolazione dell'altezza dell'elettrotensile (fig. E)

Questo elettrotensile è dotato di meccanismo telescopico che ne consente la regolazione all'altezza più idonea. Sono possibili varie regolazioni dell'altezza.

Per regolare l'altezza, eseguire quanto descritto di seguito:

- ◆ Allentare il collare di regolazione (16) ruotandolo in senso orario.
- ◆ Estrarre o far rientrare con attenzione il tubo (17) nell'impugnatura (2) fino a ottenere l'altezza desiderata.
- ◆ Serrare il collare di regolazione (16) ruotandolo in senso antiorario.

Rilascio del filo da taglio

Durante il transito, il filo da taglio è fissato sull'alloggiamento della bobina con del nastro adesivo.

Attenzione! Prima dell'assemblaggio, estrarre la batteria dall'elettrotensile.

- ◆ Staccare il nastro adesivo che fissa il filo da taglio sull'alloggiamento della bobina (7).

Montaggio e rimozione della batteria (fig. F)

- ◆ Per montare la batteria (4), allinearla all'apposito vano sull'elettrotensile. Infilare la batteria nell'apposito vano e premerla fino a quando si aggancia in sede.
- ◆ Per estrarre la batteria, premere il pulsante di rilascio (18) estraendo al tempo stesso la batteria dall'apposito vano.

Utilizzo

Avvertenza! Lasciare che l'elettrotensile funzioni al suo ritmo. Non sovraccaricarlo.

Ricarica della batteria (fig. G)

La batteria deve essere caricata prima dell'impiego iniziale e quando non eroga una potenza sufficiente per lavori che prima era possibile eseguire facilmente. Durante la carica la batteria potrebbe riscaldarsi. Si tratta di un fatto normale che non indica che vi è un problema.

Avvertenza! Non caricare la batteria a temperature ambiente inferiori a 10 °C o superiori a 40 °C. Temperatura di carica consigliata: 24 °C circa.

Nota: Il caricabatterie non carica un battery pack se la temperatura della cella è inferiore a 10 °C o superiore a 40 °C.

Il battery pack deve essere lasciato nel caricabatterie che incomincerà a caricare automaticamente quando la temperatura della cella aumenta o diminuisce.

- ◆ Per caricare la batteria (4), inserirla nel caricabatterie (19). La batteria può essere inserita nel caricabatterie solo in un verso. Non forzarlo. Accertarsi che la batteria sia completamente insediata nel caricabatterie.
- ◆ Collegare il caricabatterie alla presa di corrente. L'indicatore di carica (20) lampeggia di continuo in verde (lentamente). La carica è completa quando l'indicatore di carica (20) rimane acceso di continuo in verde. Il caricabatterie e la batteria possono essere lasciati collegati indefinitamente con il LED acceso. Il LED passa al lampeggio verde (carica in corso) quando il caricabatterie di tanto in tanto rabocca la carica della batteria. L'indicatore di carica (20) si accende se la batteria è inserita nel caricabatterie collegato a una presa elettrica.
- ◆ Caricare le batterie esauste entro 1 settimana. La durata delle batterie diminuisce parecchio se sono conservate scariche.

Batteria lasciata nel caricabatterie

Il caricabatterie e il battery pack possono essere lasciati collegati con il LED sempre acceso. Il caricabatterie manterrà il battery pack come nuovo e completamente carico.

Diagnostica del caricabatterie

Se il caricabatterie rileva che la batteria è debole o danneggiata, fa lampeggiare velocemente in rosso l'indicatore di carica (20). Procedere come descritto di seguito:

- ◆ Inserire di nuovo la batteria (4).
- ◆ Se gli indicatori di carica continuano a lampeggiare in rosso a un ritmo veloce, usare una batteria diversa per determinare se il ciclo di carica funziona correttamente.
- ◆ Se la batteria di ricambio si carica correttamente, significa che quella originale è difettosa e che deve essere rispedita a un centro di assistenza per essere riciclata.

- ◆ Se anche con la nuova batteria si ottengono i medesimi risultati dati da quella vecchia, portare il caricabatterie presso un centro di assistenza autorizzato per essere sottoposto a controllo.

Nota: ci possono volere anche 30 minuti per determinare se la batteria è difettosa. Se il battery pack è troppo caldo o troppo freddo, il LED lampeggia alternamente in rosso a un ritmo veloce e lento con un lampeggio veloce e uno lento ripetuti nel tempo.

Regolazione dell'elettrotensile sulla modalità di taglio o di taglio dei bordi (fig. H,I,J&K)

L'elettrotensile può essere usato nella modalità di taglio, come illustrato in fig. H, o in quella di taglio dei bordi, per tagliare l'erba sporgente lungo i bordi del prato o delle aiuole, come illustrato in fig. I.

Modalità di taglio (fig. E,H&J)

Per eseguire il taglio, la testa di taglio deve trovarsi nella posizione illustrata in fig. J. In caso contrario:

- ◆ Estrarre la batteria dall'elettrotensile.
- ◆ Allentare il collare di regolazione (16) ruotandolo in senso orario.
- ◆ Tenendo ferma l'impugnatura (2), ruotare la testa (8) in senso orario.
- ◆ Serrare il collare (16) ruotandolo in senso antiorario.

Nota: Nota: la testa può ruotare solo in una direzione.

Modalità di taglio dei bordi (fig. E,I&K)

Per eseguire il taglio dei bordi, la testa dei tagliabordi deve trovarsi nella posizione illustrata in fig. K. In caso contrario:

- ◆ Estrarre la batteria dall'elettrotensile.
- ◆ Allentare il collare di regolazione (16) ruotandolo in senso orario.
- ◆ Tenendo ferma l'impugnatura (2), ruotare la testa (8) in senso antiorario.
- ◆ Serrare il collare (16) ruotandolo in senso antiorario.

Nota: la testa può ruotare solo in una direzione.

Accensione e spegnimento (fig. L)

- ◆ Per accendere l'elettrotensile, premere e tenere premuto il pulsante di sicurezza (3) e quindi premere la leva a grilletto (1). Quando l'elettrotensile è acceso, è possibile rilasciare il pulsante di sicurezza (3).
- ◆ Per spegnere l'elettrotensile, rilasciare la leva a grilletto.

Attenzione! Non tentare mai di bloccare una leva a grilletto su acceso.

Selezione potenza (solo STC1820)

La funzione di aumento della potenza (9) è situata sull'impugnatura dell'elettrotensile. Esso consente di ottimizzare le prestazioni dell'elettrotensile e di aumentare la potenza come richiesto.

- ◆ Far funzionare nella modalità "ECO" per la maggior parte dei lavori di taglio. (In questo modo si avrà una maggior durata della batteria.)
- ◆ Passare alla modalità "TURBO" quando lo è richiesto in caso di erba alta, umida o densa.

Consigli per un utilizzo ottimale

In generale

- ◆ Per ottenere i migliori risultati di taglio, tosare l'erba solo quando è asciutta.

Taglio

- ◆ Tenere l'elettrotensile così come indicato in fig. J
- ◆ Far oscillare con attenzione il tagliabordi da un lato all'altro.
- ◆ Quando si taglia l'erba lunga, procedere in stadi partendo dalle punte. Eseguire dei tagli di piccola entità.
- ◆ Tenere l'elettrotensile lontano da oggetti duri e da piante delicate.
- ◆ Il filo da taglio si usura più rapidamente e deve essere alimentato più di frequente se la tosatura è eseguita lungo marciapiedi o altre superfici abrasive oppure se si stanno tagliando erbacce folte.
- ◆ Se l'elettrotensile comincia a funzionare lentamente, ridurre il carico.

Bordatura

Si otterranno i migliori risultati quando si tagliano bordi con erba alta più di 50 mm.

- ◆ Non utilizzare l'elettrotensile per creare i bordi. Farlo usando una vanga per bordi.
- ◆ Manovrare l'elettrotensile spingendolo sulla ruota (10) o sulla guida del bordo (11) così come illustrato in fig. K.
- ◆ Per eseguire un taglio più ravvicinato, inclinare leggermente l'elettrotensile.

Montaggio di una nuova bobina del filo da taglio (fig. L)

Le bobine del filo da taglio di ricambio sono reperibili presso il rivenditore BLACK+DECKER (n. A6481).

- ◆ Estrarre la batteria dall'elettrotensile.
- ◆ Tenere premute le linguette (21) e staccare il coperchio della bobina (22) dal relativo alloggiamento (7).
- ◆ Estrarre la bobina vuota (23) dal relativo alloggiamento.
- ◆ Eliminare sporczia ed erba dal coperchio e dall'alloggiamento della bobina.
- ◆ Prendere una nuova bobina e calzarla sul tronchetto nell'alloggiamento della bobina. Ruotare leggermente la bobina fino a quando è installata.
- ◆ Sganciare l'estremità del filo da taglio e infilarla nell'occhiello (24). Il filo dovrebbe sporgere 11 cm circa dal coperchio della bobina.
- ◆ Allineare le linguette (21) sul coperchio della bobina alle sfinestrature (25) nel relativo alloggiamento.
- ◆ Premere il coperchio sull'alloggiamento della bobina fino a quando si aggancia saldamente in sede.

Attenzione! Se i fili da taglio sporgono oltre la lama di tranciatura (26), tagliarli in modo che raggiungano appena la lama.

Avvolgimento di un nuovo filo da taglio su una bobina vuota (fig. M,N&O)

È possibile avvolgere un nuovo filo da taglio su una bobina vuota.

Le confezioni di filo da taglio di ricambio sono reperibili presso il rivenditore BLACK+DECKER (n. cat. A6170 (25 m), A6171 (40 m)).

- ◆ Estrarre la bobina vuota dall'elettrotensile come descritto in precedenza.
- ◆ Rimuovere il filo da taglio rimanente dalla bobina.
- ◆ Far passare 2 cm di filo da taglio nel foro (27) nella bobina come illustrato (fig. M).
- ◆ Piegare il filo da taglio e agganciarlo nella fessura a "L" (28).
- ◆ Avvolgere il filo da taglio sulla bobina nella direzione della freccia. Accertarsi che il filo sia avvolto in modo accurato e a strati. Non incrociarlo (fig. O).
- ◆ Quando il filo da taglio avvolto raggiunge le gole (29), tagliarlo. Lasciare che il filo sporga 11 cm circa dalla bobina e tenervi sopra un dito per bloccarlo in sede (fig. N).
- ◆ Procedere come descritto in precedenza per montare la bobina nell'elettrotensile.

Attenzione! Usare solo il corretto tipo di filo da taglio BLACK+DECKER.

Ricerca guasti

Se l'elettrotensile non dovesse funzionare correttamente, seguire le istruzioni riportate di seguito. Se non è comunque possibile risolvere il problema, rivolgersi al tecnico BLACK+DECKER di zona.

Avvertenza! Prima di continuare, scollegare l'elettrotensile dalla presa di corrente.

L'elettrotensile funziona lentamente

- ◆ Controllare che l'alloggiamento della bobina possa ruotare liberamente. Pulirlo con attenzione se necessario.
- ◆ Controllare che il filo da taglio non sporga più di 11 cm dall'alloggiamento della bobina. In caso affermativo, tagliarlo in modo che raggiunga appena la lama di tranciatura del filo da taglio.

Se l'alimentazione automatica del filo non funziona

- ◆ Tenere premute le linguette e staccare il coperchio della bobina dall'alloggiamento.
- ◆ Tirare il filo da taglio fino a quando sporge 11 cm dall'alloggiamento. Se sulla bobina è rimasta una quantità insufficiente di filo da taglio, montarne una nuova come descritto in precedenza.
- ◆ Allineare le linguette sul coperchio della bobina alle sfinestrature nell'alloggiamento.
- ◆ Premere il coperchio sull'alloggiamento fino a quando si aggancia saldamente in sede.
- ◆ Se il filo da taglio sporge oltre la lama di tranciatura, tagliarlo in modo che raggiunga appena la lama.

Se l'alimentazione automatica del filo continua a non funzionare, oppure se la bobina è inceppata, provare uno dei seguenti suggerimenti:

- ◆ Pulire con attenzione il coperchio e l'alloggiamento della bobina.
- ◆ Rimuovere la bobina e controllare che la leva possa muoversi liberamente.
- ◆ Rimuovere la bobina e srotolare il filo da taglio e quindi avvolgerlo in modo ordinato come descritto in precedenza. Sostituire la bobina come da istruzioni.

Manutenzione

Questo apparecchio/elettrotensile BLACK+DECKER con o senza filo è stato progettato per funzionare a lungo con una manutenzione minima. Per ottenere prestazioni sempre soddisfacenti occorre avere cura dell'elettrotensile/apparecchio e sottoporlo a pulitura periodica.

Il caricabatterie non richiede nessuna manutenzione salvo una regolare pulitura.

Attenzione! Prima di eseguire interventi di manutenzione su elettrotensili con o senza filo, procedere come descritto di seguito.

- ◆ Spegner e scollegare l'apparecchio/elettrotensile dalla presa di corrente.
- ◆ Oppure spegnere ed estrarre la batteria se l'apparecchio/elettrotensile è dotato di battery pack a parte.
- ◆ Oppure scaricare completamente la batteria se è di tipo integrale e quindi spegnerlo.
- ◆ Scollegare il caricabatterie dalla presa di corrente prima di pulirlo. Il caricabatterie non richiede nessuna manutenzione salvo una regolare pulitura.
- ◆ Pulire regolarmente le prese di ventilazione dell'elettrotensile/apparecchio e del caricabatterie con un pennello o con un panno morbido e asciutto.
- ◆ Il vano del motore deve essere pulito regolarmente con un panno umido. Non usare materiali abrasivi o detergenti a base di solventi.
- ◆ Pulire regolarmente il filo da taglio e la bobina con un pennello o un panno morbido e asciutto.
- ◆ Usare regolarmente un raschietto non affilato per eliminare erba e sporcizia dalla parte inferiore della protezione.

Protezione dell'ambiente



Raccolta differenziata. Questo prodotto non deve essere smaltito con i normali rifiuti domestici.

Nel caso in cui l'elettrotensile BLACK+DECKER debba essere sostituito o non sia più necessario, non smaltirlo con i normali rifiuti domestici. Metterlo da parte per la raccolta differenziata.



La raccolta differenziata dei prodotti e degli imballaggi utilizzati consente il riciclaggio dei materiali e il loro continuo utilizzo.

Il riutilizzo dei materiali riciclati favorisce la protezione dell'ambiente prevenendo l'inquinamento e riduce il fabbisogno di materie prime.

Seguire la regolamentazione locale per la raccolta differenziata dei prodotti elettrici che può prevedere punti di raccolta o la consegna dell'elettrotensile al rivenditore presso il quale viene acquistato un nuovo prodotto.

BLACK+DECKER offre ai propri clienti la possibilità di riciclare i prodotti BLACK+DECKER che hanno esaurito la loro vita di servizio. Per usufruire di tale servizio, è sufficiente restituire il prodotto a qualsiasi tecnico autorizzato, incaricato della raccolta per conto dell'azienda.

Per individuare il tecnico autorizzato più vicino, rivolgersi alla sede BLACK+DECKER locale, presso il recapito indicato nel presente manuale. Altrimenti, un elenco completo di tutti i tecnici autorizzati BLACK+DECKER e i dettagli completi sui contatti e i servizi post-vendita sono disponibili su Internet all'indirizzo: www.2helpU.com

Batterie



Alla fine della loro vita utile, smaltire le batterie in conformità alle norme ambientali.

- ◆ Scaricare completamente la batteria e toglierla dall'elettrotensile.
- ◆ Le batterie NiCd, NiMH e al litio-ione sono riciclabili. Imballare la batteria o le batterie in modo idoneo per evitare che i terminali possano essere cortocircuitati. Portarle presso un tecnico autorizzato o il centro di riciclaggio di zona.
- ◆ Non cortocircuitare i terminali della batteria.
- ◆ Non smaltire le batterie bruciandole dato che si potrebbe causare un'esplosione.

Dati tecnici

		STC1815 STC1820D H 2	STC1820 H 2
Tensione in ingresso	V_{sc}	18	18
Regime a vuoto	min ⁻¹	6200	5500-7400
Peso	kg	2.6	2.6

Batteria		BL1118	BL1318	BL1518	BL2018	BL4018
Tensione	V_{sc}	18	18	18	18	18
Capacità	Ah	1.0	1.3	1.5	2.0	4.0
Tipo		Litio- ionio	Litio- ionio	Litio- ionio	Litio- ionio	Litio- ionio

Caricabatterie		905902** (tipo 1)
Tensione in ingresso	V_{sc}	100 - 240
Tensione erogata	V_{sc}	8 - 20
Corrente	mA	400

Valore medio quadratico ponderato dell'accelerazione secondo la normativa EN 786:

= 9.0 m/s², incertezza (K) = 1.5 m/s².

L_{w} (pressione sonora) 76 dB(A)

incertezza (K) = 1.6 dB(A)

Dichiarazione di conformità CE

DIRETTIVA SUI MACCHINARI

DIRETTIVA SULLA RUMOROSITÀ ESTERNA



STC1815/STC1820/STC1820D decespugliatore tagliabordi

Black & Decker dichiara che questi prodotti descritti al paragrafo "Dati tecnici" sono conformi a:
2006/42/CE, EN 60335-1:2012+A11:2014,
EN 60335-2-91:2014

2000/14/CE, Decespugliatore tagliabordi, L ≤ 50 cm,
Allegato VIII
DEKRA Certification B.V., Utrechtseweg 310,
6802 ED Arnhem, Paesi Bassi
ID ente notificato n.: 0344

Livello di potenza acustica in base a 2000/14/CE
(Articolo 12, Allegato III, L ≤ 50 cm):

L_{w} (pressione sonora misurata) 90 dB(A)
incertezza (K) = 1.6 dB(A)

L_{w} (pressione sonora garantita) 92 dB(A)

Questi prodotti sono conformi alla Direttiva 2014/30/EU e
2011/65/UE.

Per ulteriori informazioni, contattare Black & Decker al
seguente indirizzo oppure consultare l'ultima di copertina del
manuale.

Il sottoscritto è responsabile della redazione di questo
documento tecnico e rilascia questa dichiarazione per conto di
Black & Decker.

R. Laverick
Engineering Director
Black & Decker Europe, 210 Bath Road, Slough,
Berkshire, SL1 3YD
United Kingdom
06/12/2016

Garanzia

Certa della qualità dei suoi prodotti, Black & Decker offre una garanzia eccezionale. Il presente certificato di garanzia è complementare ai diritti legali e non li pregiudica in alcun modo. La garanzia è valida entro il territorio degli Stati membri dell'Unione Europea e dell'EFTA (European Free Trade Area).

Se un prodotto Black & Decker risulta difettoso per qualità del materiale, della costruzione o per mancata conformità entro 24 mesi dalla data di acquisto, Black & Decker garantisce la sostituzione delle parti difettose, provvede alla riparazione dei prodotti se ragionevolmente usurati oppure alla loro sostituzione, in modo da ridurre al minimo il disagio del cliente a meno che:

- ◆ il prodotto non sia stato destinato a usi commerciali, professionali o al noleggio;
- ◆ il prodotto non sia stato usato in modo improprio o scorretto;
- ◆ il prodotto non abbia subito danni causati da oggetti o sostanze estranee oppure incidenti;
- ◆ il prodotto non abbia subito tentativi di riparazione non effettuati da tecnici autorizzati né dall'assistenza Black & Decker.

Per attivare la garanzia è necessario esibire la prova di acquisto al venditore o al tecnico autorizzato. Per individuare il tecnico autorizzato più vicino, rivolgersi alla sede Black & Decker locale, presso il recapito indicato nel presente manuale. Altrimenti, un elenco completo di tutti i tecnici autorizzati Black & Decker e i dettagli completi sui contatti e i servizi post-vendita sono disponibili su Internet all'indirizzo: www.2helpU.com

I clienti che desiderano registrare il nuovo prodotto BLACK+DECKER e ricevere gli aggiornamenti sui nuovi prodotti e le offerte speciali, sono invitati a visitare il sito Web www.blackanddecker.it. Ulteriori informazioni sul marchio e la gamma di prodotti BLACK+DECKER sono disponibili all'indirizzo www.blackanddecker.it.

Non dimenticare di registrare il tuo prodotto!

www.blackanddecker.it/productregistration Registra il tuo prodotto online all'indirizzo **www.blackanddecker.it/productregistration** oppure invia il tuo nome, cognome e codice del prodotto a BLACK+DECKER nel tuo paese.

Beoogd gebruik

Uw BLACK+DECKER STC1815, STC1820, STC1820D BLACK+DECKER trimmer is ontworpen voor het trimmen en afwerken van gazonranden en om gras te maaien in beperkte ruimte. Dit apparaat is uitsluitend bestemd voor consumentengebruik.

Veiligheidsinstructies

Waarschuwing! Bij apparaten voor gebruik op de netspanning moeten bepaalde elementaire voorzorgsmaatregelen, waaronder de navolgende, in acht worden genomen om het gevaar voor brand, elektrische schokken, persoonlijk letsel en materiële schade tot een minimum te beperken.

Waarschuwing! De veiligheidsregels moeten worden opgevolgd wanneer u het apparaat gebruikt. Lees voor uw eigen veiligheid en de veiligheid van omstanders deze instructies voordat u het apparaat gebruikt. Bewaar de instructies voor later gebruik.

- ◆ Lees deze handleiding zorgvuldig door voordat u het apparaat in gebruik neemt.
- ◆ In deze handleiding wordt ingegaan op het beoogde gebruik. Het gebruik van andere accessoires of hulpstukken dan wel de uitvoering van andere handelingen dan in deze gebruikershandleiding worden aanbevolen, kan tot persoonlijk letsel leiden.
- ◆ Bewaar deze handleiding zorgvuldig zodat u deze altijd nog eens kunt raadplegen.

Gebruik van het apparaat

Ga bij gebruik van het apparaat altijd voorzichtig te werk.

- ◆ Gebruik altijd een veiligheidsbril of oogbescherming.
- ◆ Laat het apparaat nooit gebruiken door kinderen of door personen die onbekend zijn met de instructies voor het apparaat.
- ◆ Laat kinderen of dieren niet in de buurt van de werkomgeving komen, en evenmin het apparaat of netsnoer aanraken.
- ◆ Let extra goed op wanneer u het apparaat in de buurt van kinderen gebruikt.
- ◆ Dit apparaat mag niet zonder supervisie door jonge of lichamelijk zwakke mensen worden gebruikt.
- ◆ Dit apparaat mag niet als speelgoed worden gebruikt.
- ◆ Gebruik het apparaat alleen bij daglicht of goed kunstlicht.
- ◆ Gebruik het apparaat alleen in een droge locatie. Het apparaat mag niet nat worden.
- ◆ Dompel het apparaat niet onder in water.
- ◆ Open de behuizing niet. Het apparaat bevat geen onderdelen die door de gebruiker kunnen worden gerepareerd.
- ◆ Gebruik het apparaat niet in een omgeving met explosiegevaar, zoals in de nabijheid van brandbare vloeistoffen, gassen of stof.
- ◆ Haal de stekker nooit uit het stopcontact door aan de kabel te trekken. Zo voorkomt u beschadiging aan de stekker of de kabel.

Veiligheid van anderen

- Dit apparaat mag niet worden gebruikt door personen (waaronder kinderen) met een lichamelijke of geestelijke beperking of die geen ervaring met of kennis van dit apparaat hebben, tenzij ze onder toezicht staan of instructies krijgen wat betreft het gebruik van het apparaat van een persoon die verantwoordelijk is voor hun veiligheid.
- Er moet toezicht worden gehouden op kinderen om ervoor te zorgen dat deze niet met het gereedschap spelen.

Overige risico's

Er kunnen zich tijdens het gebruik van het gereedschap ook andere risico's voordoen, die misschien niet in de bijgevoegde veiligheidswaarschuwingen worden vermeld. Deze risico's kunnen zich voordoen als gevolg van oordeelkundig gebruik, langdurig gebruik, enz.

Zelfs als de veiligheidsvoorschriften in acht worden genomen en de veiligheidsvoorzieningen worden geïmplementeerd, kunnen bepaalde risico's niet worden vermeden. Deze omvatten:

- Verwondingen die worden veroorzaakt door het aanraken van draaiende of bewegende onderdelen.
- Verwondingen die worden veroorzaakt bij het vervangen van onderdelen, bladen of accessoires.

- Verwondingen die worden veroorzaakt door langdurig gebruik van het gereedschap. Als u langere periodes met het gereedschap werkt, is het raadzaam om regelmatig een pauze in te lassen.
- Gehoorbeschadiging.
- Gezondheidsrisico's als gevolg van het inademen van stof dat door gebruik van het gereedschap wordt veroorzaakt (bijvoorbeeld tijdens het werken met hout, vooral eiken, beuken en MDF.)

Na gebruik

- Bewaar het apparaat na gebruik op een droge, goed geventileerde plaats, buiten het bereik van kinderen.
- Zorg dat het bewaarde apparaat niet toegankelijk is voor kinderen.
- Wanneer het apparaat in de auto ligt, moet u het apparaat in de kofferruimte plaatsen of goed vastzetten, zodat het apparaat niet kan wegschieten bij plotselinge veranderingen in snelheid of richting.

Inspectie en reparaties

- Controleer het apparaat vóór gebruik op beschadigingen en defecten. Controleer het vooral op gebroken onderdelen en andere omstandigheden die de werking ervan kunnen beïnvloeden.
- Gebruik de machine niet in geval van een of meer beschadigde of defecte onderdelen.
- Laat beschadigde of defecte onderdelen door een van onze servicecentra repareren of vervangen.

- ◆ Probeer nooit andere onderdelen te verwijderen of vervangen dan in deze handleiding zijn vermeld.

Aanvullende veiligheidsinstructies voor grastrimmers

Waarschuwing! Nadat u de motor hebt uitgeschakeld, blijven de maai-elementen draaien.

- ◆ Zorg ervoor dat u vertrouwd bent met de knoppen en met het juiste gebruik van het apparaat.
- ◆ Controleer het netsnoer en het verlengsnoer vóór gebruik op tekenen van beschadiging, veroudering en slijtage. Als het netsnoer tijdens het gebruik wordt beschadigd, moet u onmiddellijk de stekker uit het stopcontact halen. **RAAK HET NETSNOER IN DAT GEVAL PAS AAN WANNEER DE STEKKER UIT HET STOPCONTACT IS.**
- ◆ Gebruik het apparaat niet wanneer het netsnoer beschadigd of versleten is.
- ◆ Draag stevige schoenen of laarzen om uw voeten te beschermen.
- ◆ Draag een lange broek om uw benen te beschermen.
- ◆ Voordat u het apparaat gaat gebruiken, controleert u of het terrein dat u gaat maaien vrij van stokken, stenen, draad en andere obstakels is.
- ◆ Gebruik het apparaat alleen rechtop, met de snijdraad vlak bij de grond. Schakel het apparaat nooit in een andere stand in.
- ◆ Beweeg langzaam wanneer u het apparaat gebruikt. Let op: vers gemaaid gras is vochtig en glad.
- ◆ Werk niet op steile hellingen. Werk dwars over het vlak van een helling, niet omhoog en omlaag.
- ◆ Steek nooit grindpaden of wegen over wanneer het apparaat is ingeschakeld.
- ◆ Zorg ervoor dat u nooit de snijdraad aanraakt terwijl het apparaat in werking is.
- ◆ Leg het apparaat niet weg voordat de snijdraad helemaal tot stilstand is gekomen.
- ◆ Gebruik alleen het juiste type snijdraad. Gebruik nooit metalen snijdraad of visdraad.
- ◆ Zorg ervoor dat u de snijdraadkap niet aanraakt.
- ◆ Zorg ervoor dat het netsnoer uit de buurt van het snijdraad blijft. Zorg ervoor dat u altijd weet waar het snoer zich bevindt.
- ◆ Zorg ervoor dat u altijd uw handen en voeten uit de buurt van het snijdraad houdt, vooral wanneer u de motor inschakelt.
- ◆ Controleer het apparaat op tekenen van slijtage of schade en repareer deze indien nodig, voordat u het apparaat gebruikt en nadat het apparaat ergens tegenaan is gestoten.
- ◆ Gebruik het apparaat nooit met beschadigde beschermkappen of zonder beschermkappen.

- Zorg ervoor dat u geen verwondingen oploopt door apparaten die worden gebruikt om de snijlijn op lengte te snijden. Nadat u een nieuwe snijlijn hebt uitgetrokken, moet u het apparaat terugbrengen naar de normale gebruikspositie voordat u het apparaat inschakelt.
- Zorg er altijd voor dat de ventilatiesleuven niet verstopt raken.
- Gebruik de gazontrimmer (randtrimmer) niet wanneer de snoeren beschadigd of versleten zijn.
- Houd verlengsnoeren uit de buurt van maai-elementen.

Aanvullende veiligheidsinstructies voor accu's en laders

Accu's

- Probeer accu's niet te openen, om welke reden ook.
- Stel de accu niet bloot aan water.
- Bewaar deze niet op locaties met temperaturen van meer dan 40 °C.
- Laad de accu's alleen op bij een omgevingstemperatuur van 10-40 °C.
- Gebruik alleen de lader die bij het apparaat is geleverd.
- Gooi lege accu's weg volgens de instructies in het gedeelte "Milieu".

Laders

- Gebruik de lader van BLACK+DECKER alleen voor de accu's in het apparaat waarbij de lader is bijgeleverd. Andere batterijen kunnen exploderen met letsel en materiële schade als gevolg.
- Niet-laadbare accu's mogen nooit worden opgeladen.
- Een defect snoer moet direct worden vervangen.
- Stel de lader niet bloot aan water.
- Open de lader niet.
- Prik nooit met een scherp voorwerp in de lader.



De lader is uitsluitend bestemd voor gebruik binnenshuis.



Lees voor gebruik deze gebruikershandleiding.

Elektrische veiligheid



De lader is dubbel geïsoleerd, zodat een aardaansluiting niet nodig is. Controleer altijd of de netspanning overeenkomt met de waarde op het typeplaatje. Probeer de lader nooit te vervangen door een normale netstekker.

- Als het netsnoer is beschadigd, moet dit worden vervangen door de fabrikant of een BLACK+DECKER-servicecentrum om gevaren te voorkomen.

Labels op het apparaat

Naast de datumcode is het gereedschap voorzien van de volgende symbolen:



Lees de handleiding voordat u met het apparaat gaat werken.



Draag een veiligheidsbril of een stofbril als u dit apparaat gebruikt.



Maak gebruik van goede gehoorbescherming wanneer u dit apparaat gebruikt.



Trek altijd de stekker uit het stopcontact voordat u een beschadigd snoer inspecteert. Gebruik de strimmer niet als de kabel is beschadigd.



Wees bedacht op rondvliegende voorwerpen. Houd omstanders uit de buurt van het snijgebied.



Stel het apparaat niet bloot aan regen of een hoge luchtvochtigheid.



Richtlijn 2000/14/EG gegarandeerd geluidsvermogen.

Onderdelen

Dit apparaat kan een of meer van de volgende onderdelen bevatten.

1. Aan-/uitschakelaar
2. Steel
3. Ontgrendelingsknop
4. Accu
5. Tweede greep
6. Beschermkap
7. Spoelbehuizing
8. Kop
9. Powerselect (alleen STC1820)
10. Randwiel (alleen STC1820 & STC1820D)
11. Randgeleider (alleen STC1815)

Monteren

Waarschuwing! Schakel voorafgaand aan de montage het gereedschap uit en verwijder de accu.

Aanbrengen van de beschermkap (fig. A&B)

- ◆ Verwijder de schroef van de beschermkap.
- ◆ Houd de beschermkap (6) loodrecht op de strimmerkop (8) en schuif deze op zijn plaats totdat het bevestigingslipje vastklikt (zorg dat de geleidingsrails (12) op de beschermkap (6) juist zijn uitgelijnd met de geleidingsrails (13) op de strimmerkop (8)).
- ◆ Bevestig de beschermkap (6) met de schroef (14).

Waarschuwing! Gebruik het gereedschap nooit wanneer de beschermkap niet juist is bevestigd.

De tweede greep bevestigen (fig. C)

- ◆ Druk op beide knoppen (15) aan de zijkant van de greep en houd de knoppen ingedrukt.
- ◆ Schuif de tweede greep (5) op zijn plaats boven de knoppen (15).

Waarschuwing! Zorg dat de tanden op de knop juist zijn uitgelijnd met de sleuven in de greep en dat de greep goed vastzit.

De stand van de tweede greep aanpassen (fig. D)

De tweede greep (5) kan worden aangepast voor de beste balans en gebruiksgemak.

- ◆ Druk op de knop (5) aan de linkerkant van de greep.
- ◆ Draai de tweede greep (5) in de vereiste stand.
- ◆ Laat de knop (15) los.

Waarschuwing! Zorg dat de tanden op de knop juist zijn uitgelijnd met de sleuven in de greep en dat de greep goed vastzit.

De hoogte van het gereedschap instellen (fig. E)

Dit gereedschap heeft een telescopisch mechanisme waarmee u het kunt instellen op een comfortabele werkhoogte. Er zijn meerdere hoogte-instellingen.

Stel als volgt de hoogte in:

- ◆ Maak de instelling (16) los door deze met de klok mee te draaien.
- ◆ Beweeg de buis (17) voorzichtig in of uit de greep (2) naar de gewenste hoogte.
- ◆ Maak de instelling (16) vast door deze tegen de klok in te draaien.

De snijdraad losmaken

Tijdens transport is de snijdraad aan de spoelbehuizing bevestigd met tape.

Waarschuwing! Verwijder de accu uit het gereedschap voordat u met de montage begint.

- ◆ Verwijder de tape waarmee de snijdraad aan de spoelbehuizing (7) is bevestigd.

De accu plaatsen en verwijderen (fig. F)

- ◆ U plaatst de accu (4) door deze op één lijn te plaatsen met het contragedeelte op het gereedschap. Schuif de accu in het contragedeelte en duw totdat de accu vastklikt.
- ◆ Als u de accu wilt verwijderen, drukt u op de vergrendelingsknop (18) en trekt u tegelijkertijd de accu uit het contragedeelte.

Gebruik van het gereedschap

Waarschuwing! Laat het gereedschap in zijn eigen tempo werken. Niet overbelasten.

De accu opladen (fig. G)

De accu moet vóór het eerste gebruik worden opgeladen en ook zodra deze niet meer voldoende vermogen levert voor taken die eerst gemakkelijk konden worden uitgevoerd. Tijdens het opladen kan de accu warm worden. Dit is normaal en duidt niet op een probleem.

Waarschuwing! Laad de accu niet op bij omgevingstemperaturen onder 10° C of boven 40° C. Aanbevolen laadtemperatuur: ongeveer 24° C.

Opmerking: De lader functioneert niet als de temperatuur van de accu lager is dan ongeveer 10° C of hoger dan 40° C.

Laat de accu in dat geval in de lader zitten. De lader wordt automatisch ingeschakeld wanneer de accu de juiste temperatuur heeft.

- ◆ Als u de accu (4) wilt opladen, schuift u de accu in de lader (19). De accu past maar op één manier in de lader. Forceer dit niet. Zorg ervoor dat de accu goed in de lader is geplaatst.
- ◆ Steek de stekker van de lader in een stopcontact. Het oplaadlampje (20) gaat langzaam groen knipperen. Als het lampje (20) continu groen brandt, is de accu volledig opgeladen. U kunt de accu gewoon in de lader laten zitten wanneer het oplaadlampje brandt. Het lampje gaat groen knipperen (opladen), omdat de accu door de lader af en toe wordt bijgeladen. Het oplaadlampje (20) blijft branden zo lang de accu zich op de lader bevindt en de lader is aangesloten op het stopcontact.
- ◆ Lege accu's moet u binnen een week opladen. Als u accu's leeg bewaart, wordt de levensduur van de accu's aanzienlijk verminderd.

De accu in de lader laten zitten

U kunt de accu gedurende onbepaalde tijd in de lader laten zitten terwijl het oplaadlampje brandt. De lader zorgt ervoor dat de accu altijd volledig opgeladen is.

Problemen met de accu

Als er wordt geconstateerd dat de accu bijna leeg is of beschadigd is, gaat het oplaadlampje (20) snel rood knipperen. Ga in dat geval als volgt te werk:

- ◆ Verwijder de accu (4) en plaats deze opnieuw.
- ◆ Als het oplaadlampje snel rood blijft knipperen, gebruik dan een andere accu om te controleren of de lader wel goed werkt.
- ◆ Als de andere accu goed wordt opgeladen, is de oorspronkelijke accu defect. Breng de accu naar een servicecentrum voor recycling.
- ◆ Als het lampje ook bij de andere accu snel knippert, moet u de lader laten testen bij een erkend servicecentrum.

Opmerking: Het kan soms 30 minuten duren om na te gaan of de accu goed functioneert. Als de accu te warm of te koud is, knippert het lampje afwisselend snel en langzaam rood.

Het gereedschap instellen op snoeien of randafwerking (fig. H,I,J&K)

Het gereedschap kan worden gebruikt voor snoeien, zoals weergegeven in fig. H, of voor randafwerking om overhangend gras te snoeien langs gazonranden en bloemperken, zoals weergegeven in fig. I.

Snoeien (fig. E,H&J)

Voor snoeien moet de snoeikop zich bevinden in de stand die wordt weergegeven in fig. J. Doe het volgende wanneer dit niet het geval is:

- ◆ Verwijder de accu uit het gereedschap.
- ◆ Maak de instelring (16) los door deze met de klok mee te draaien.
- ◆ Houd de greep (2) vast en draai de kop (8) met de klok mee.
- ◆ Maak de ring (16) vast door deze tegen de klok in te draaien.

Opmerking: Opmerking: De kop draait slechts in één richting.

Randafwerking (fig. E,I&K)

Voor randafwerking moet de snoeikop zich bevinden in de stand die wordt weergegeven in fig. K. Doe het volgende wanneer dit niet het geval is:

- ◆ Verwijder de accu uit het gereedschap.
- ◆ Maak de instelring (16) los door deze met de klok mee te draaien.
- ◆ Houd de greep (2) vast en draai de kop (8) tegen de klok in.
- ◆ Maak de ring (16) vast door deze tegen de klok in te draaien.

Opmerking: De kop draait slechts in één richting.

Aan- en uitzetten (fig. L)

- ◆ U schakelt het gereedschap in door de ontgrendelingsknop (3) ingedrukt te houden en vervolgens de trekker (1) in te drukken. U kunt de ontgrendelingsknop (3) loslaten zodra het gereedschap actief is.
- ◆ Laat de trekker los om het apparaat uit te schakelen.

Waarschuwing! Probeer nooit om een trekker in de ingeschakelde stand te vergrendelen.

Powerselect (alleen STC1820)

De vermogensboostfunctie (9) bevindt zich op de handgreep. Met deze functie kunt u de prestaties van het gereedschap optimaliseren en indien nodig het vermogen verhogen.

- ◆ Voor de meeste snoeiwerkzaamheden kunt u het gereedschap in de 'ECO'-stand zetten. (De accu is dan minder snel leeg.)
- ◆ Schakel indien gewenst over op de 'TURBO'-stand wanneer u te maken krijgt met hoge, vochtige of dikke begroeiing.

Tips voor optimaal gebruik

Algemeen

- ◆ U krijgt de beste maairesultaten wanneer u uitsluitend droog gras maait.

Trimmen

- ◆ Houd het gereedschap vast, zoals wordt aangegeven in fig. J.
- ◆ Beweeg de trimmer rustig van de ene naar de andere kant.
- ◆ Wanneer u lang gras maait, moet u in stappen van bovenaf maaien. Maai telkens een klein stuk.
- ◆ Houd het apparaat uit de buurt van harde voorwerpen en tere planten.
- ◆ De snijdraad slijt sneller en moet vaker verlengd worden wanneer u vaak langs stoepen of andere schurende oppervlakken maait, of wanneer u zwaar onkruid maait.
- ◆ Verlaag de belasting wanneer het apparaat langzamer draait.

Randafwerking

De beste snoeiresultaten worden verkregen op randen die dieper dan 50 mm zijn.

- ◆ Gebruik het gereedschap niet om randen te maken. Gebruik een spade om randen te maken.
- ◆ Beweeg het gereedschap via het wiel (10) of randgeleider (11) zoals wordt aangegeven in fig. K.
- ◆ Hef het gereedschap een beetje omhoog om korter te snoeien.

Een nieuwe spoel met snijdraad plaatsen (fig. L)

Vervangende spoelen met snijdraad zijn verkrijgbaar via uw BLACK+DECKER-leverancier (cat. nr. A6481).

- ◆ Verwijder de accu uit het gereedschap.
- ◆ Houd de lipjes (21) ingedrukt en verwijder de spoelkap (22) van de spoelbehuizing (7).
- ◆ Verwijder de lege spoel (23) uit de spoelbehuizing.
- ◆ Verwijder alle vuil en gras van de spoelkap en de behuizing.
- ◆ Maak de nieuwe spoel en druk deze op de naaf in de spoelbehuizing. Draai de spoel licht totdat deze stevig is geplaatst.
- ◆ Maak het uiteinde van de snijdraad los en geleid de draad door het oogje (24). De draad moet ongeveer 11 cm buiten de spoelkap steken.
- ◆ Breng de lipjes (21) op de spoelkap op één lijn met de uitsparingen (25) in de spoelbehuizing.
- ◆ Druk de kap op de spoelbehuizing totdat deze stevig vastklikt.

Waarschuwing! Als de snijdraden verder uitsteken dan de snijdraadkap (26), moet u de draden afsnijden totdat deze niet verder dan de kap reiken.

Een nieuwe draad op een lege spoel wikkelen (fig. M, N&O)

U kunt een nieuwe snijdraad op een lege spoel wikkelen. Vervangende verpakkingen met snijdraad zijn verkrijgbaar via uw BLACK+DECKER-leverancier (cat.nr. A6170 (25 m), A6171 (40 m)).

- ◆ Verwijder de lege spoel van het apparaat, zoals hierboven aangegeven.
- ◆ Verwijder overgebleven snijdraad van de spoel.
- ◆ Steek 2 cm van de snijdraad in het gat (27) in de spoel zoals aangegeven (fig. M).

- ◆ Buig de snijdraad en veranker deze in de L-vormige sleuf (28).
- ◆ Wikkel de snijdraad op de spoel, in de richting van de pijl. Zorg dat u de draad netjes en in lagen opwikkelt. Wikkel de draad niet kruislings (fig. O).
- ◆ Wanneer de opgewikkelde snijdraad tot de inkepingen (29) reikt, moet u de draad afsnijden. Laat de draad ongeveer 11 cm van de spoel uitsteken en houd eenvinger op de draad om deze op zijn plaats te houden (fig. N).
- ◆ Ga door zoals hierboven beschreven en plaats de spoel op het apparaat.

Waarschuwing! Gebruik alleen het juiste type BLACK+DECKER snijdraad.

Problemen oplossen

Als het apparaat niet goed lijkt te werken, volgt u de onderstaande instructies op. Neem contact op met het dichtstbijzijnde BLACK+DECKER-servicecentrum als u het probleem niet kunt verhelpen.

Waarschuwing! Neem het gereedschap uit het stopcontact voordat u doorgaat.

Het apparaat draait langzaam

- ◆ Controleer of de spoelbehuizing vrij kan draaien. Reinig de behuizing zorgvuldig, indien nodig.
- ◆ Controleer of de snijdraad niet meer dan 11 cm uit de spoelbehuizing steekt. Als de snijdraad verder uitsteekt dan 11 cm, moet u de draad afsnijden totdat deze niet verder dan de snijdraadkap reikt.

Het automatisch langer maken van de draad werkt niet

- ◆ Houd de lipjes ingedrukt en verwijder de spoelkap van de behuizing.
- ◆ Trek aan de snijdraad, totdat deze 11 cm uit de behuizing steekt. Als de spoel onvoldoende snijdraad bevat, moet u een nieuwe spoel met snijdraad plaatsen, zoals hierboven aangegeven.
- ◆ Breng de lipjes op de spoelkap op één lijn met de uitsparingen in de behuizing.
- ◆ Druk de kap op de behuizing totdat deze stevig vastklikt.
- ◆ Als de snijdraad verder uitsteekt dan de snijdraadkap, moet u de draad afsnijden totdat deze niet verder dan de kap reikt.

Als het automatisch verlengen niet werkt, of wanneer de spoel is geblokkeerd, kunt u de volgende suggesties proberen:

- ◆ Reinig de spoelkap en de behuizing voorzichtig.
- ◆ Verwijder de spoel en controleer of de hendel vrij kan bewegen.
- ◆ Verwijder de spoel en wikkel de snijdraad af. Wikkel deze netjes weer op, zoals hierboven beschreven. Vervang de spoel zoals beschreven.

Onderhoud

Uw BLACK+DECKER-gereedschap/-apparaat (met netsnoer/snoerloos) is ontworpen om gedurende langere tijd te functioneren met een minimum aan onderhoud. U kunt het gereedschap/apparaat naar volle tevredenheid blijven gebruiken als

u voor correct onderhoud zorgt en het gereedschap/apparaat regelmatig schoonmaakt. Naast regelmatige reiniging vereist de lader geen onderhoud.

Waarschuwing! Doe altijd het volgende voordat u onderhouds- of reinigingswerkzaamheden aan het gereedschap (met snoer/snoerloos) uitvoert.

- ◆ Schakel het gereedschap/apparaat uit en trek de stekker uit het stopcontact.
- ◆ Als het gereedschap/apparaat een afzonderlijke accu heeft, schakelt u het gereedschap/apparaat uit en haalt u de accu eruit.
- ◆ Als de accu is ingebouwd, laat u deze volledig ontladen. Schakel dan het apparaat uit.
- ◆ Neem de lader uit het stopcontact voordat u deze schoonmaakt. Naast regelmatige reiniging vereist de lader geen onderhoud.
- ◆ Reinig regelmatig de ventilatieopeningen van het gereedschap/apparaat en de lader met een zachte borstel of droge doek.
- ◆ Reinig de behuizing van de motor regelmatig met een vochtige doek. Gebruik geen schuur- of oplosmiddel.
- ◆ Reinig de snijdraad en spoel regelmatig met een zachte borstel of een droge doek.
- ◆ Gebruik regelmatig een botte krabber om gras en vuil van onder de beschermkap te verwijderen.

Milieu



Aparte inzameling. Dit product mag niet met normaal huishoudelijk afval worden weggegooid.

Mocht u op een dag constateren dat het BLACK+DECKER-product aan vervanging toe is of dat u het apparaat niet meer nodig hebt, gooi het product dan niet bij het restafval. Het product valt onder de categorie voor elektrische apparaten.



Gescheiden inzameling van gebruikte producten en verpakkingsmaterialen maakt het mogelijk materialen te recyclen en opnieuw te gebruiken. Hergebruik van gerecycleerde materialen zorgt voor minder milieuvuiling en dringt de vraag naar grondstoffen terug.

Plaatselijke verordeningen kunnen voorzien in gescheiden inzameling van huishoudelijke elektrische producten via gemeentelijke stortplaatsen of via de leverancier bij wie u een nieuw product aanschaft.

BLACK+DECKER biedt de mogelijkheid tot het recyclen van afgedankte BLACK+DECKER-producten. Om gebruik te maken van deze service, dient u het product naar een van onze servicecentra te sturen, die de inzameling voor ons verzorgen.

U kunt het adres van het dichtstbijzijnde BLACK+DECKER-servicecentrum opvragen via de adressen op de achterzijde van deze handleiding. U kunt ook een lijst van BLACK+DECKER-servicecentra en meer informatie m.b.t. onze klantenservice vinden op het volgende internetadres: www.2helpu.com

Batterijen



Gooi afgedankte batterijen op verantwoorde wijze weg:

- ◆ Ontlaad de batterij volledig en verwijder deze vervolgens uit het gereedschap.
- ◆ NiCd-, NiMH- en lithium-ionbatterijen kunnen worden gerecycled. Plaats de accu(s) in een geschikte verpakking om te voorkomen dat de polen worden kortgesloten. Breng deze naar een servicecentrum of een inzamellocatie in uw woonplaats.
- ◆ Voorkom dat de polen van de batterij worden kortgesloten.
- ◆ Gooi accu(s) niet in het vuur. Dit kan letsel of een explosie tot gevolg hebben.

Technische gegevens

		STC1815 STC1820D H 2	STC1820 H 2
Ingangsspanning	V_{ac}	18	18
Onbelaste snelheid	min ⁻¹	6200	5500-7400
Gewicht	kg	2,6	2,6

Batterij		BL1118	BL1318	BL1518	BL2018	BL4018
Spanning	V_{ac}	18	18	18	18	18
Capaciteit	Ah	1.0	1.3	1.5	2.0	4.0
Type		Li-ion	Li-ion	Li-ion	Li-ion	Li-ion

Lader		905902** (typ. 1)
Ingangsspanning	V_{ac}	100 - 240
Uitgangsspanning	V_{oc}	8 - 20
Laadstroom	mA	400

Gewogen waarde van hand-arm-trilling, gemeten volgens EN 786:

= 9.0 m/s², onzekerheid (K) = 1.5 m/s².

L_{wa} (geluidsdruk) 76 dB(A)
onzekerheid (K) 1.6 dB(A)

EG-conformiteitsverklaring

MACHINERICHTLIJN

RICHTLIJN VOOR GELUID BUITENSHUIS



STC1815/STC1820/STC1820D trimmer

Black & Decker verklaart dat deze producten, die zijn beschreven bij 'Technische gegevens', voldoen aan:
2006/42/EG, EN 60335-1:2012+A11:2014,
EN 60335-2-91:2014

2000/14/EG, Gazontrimmer, L ≤ 50 cm, bijlage VIII
DEKRA Certification B.V., Utrechtseweg 310,
6802 ED Arnhem, Nederland
Aangemelde instantie ID Nr.: 0344

Niveau van akoestisch vermogen volgens 2000/14/EG
L_{max} (Artikel 12, bijlage III, L ≤ 50 cm):

(gemeten geluidsvermogen) 90 dB(A)
onzekerheid (K) 1.6 dB(A)

L_{max} (gegarandeerd geluidsvermogen) 92 dB(A)

Deze producten voldoen tevens aan richtlijn2014/30/EU en
2011/65/EU.

Neem voor meer informatie contact op met Black & Decker
op het volgende adres of raadpleeg de achterzijde van de
handleiding.

Ondergetekende is verantwoordelijk voor de compilatie van
het technische bestand en geeft deze verklaring namens
Black & Decker af.

R. Laverick

Engineering Director

Black & Decker Europe, 210 Bath Road, Slough,

Berkshire, SL1 3YD

United Kingdom

06/12/2016

Garantie

Black & Decker heeft vertrouwen in haar producten en biedt een uitstekende garantie. Deze garantiebepalingen vormen een aanvulling op uw wettelijke rechten en beperken deze niet. De garantie geldt in de lidstaten van de Europese Unie en de Europese Vrijhandelsassociatie.

Mocht uw Black & Decker product binnen 24 maanden na de datum van aankoop defect raken ten gevolge van materiaal- of constructiefouten, dan garanderen wij de kosteloze vervanging van defecte onderdelen, de reparatie van het product of de vervanging van het product, tenzij:

- ◆ Het product is gebruikt voor handelsdoeleinden, professionele toepassingen of verhuurdoeleinden.
- ◆ Het product onoordeelkundig is gebruikt.
- ◆ Het product is beschadigd door invloeden van buitenaf of door een ongeval.
- ◆ Reparaties zijn uitgevoerd door anderen dan onze servicecentra of Black & Decker-personeel.

Om een beroep te doen op de garantie, dient u een aankoopbewijs te overhandigen aan de verkoper of een van onze servicecentra. U kunt het adres van het dichtstbijzijnde Black & Decker-servicecentrum opvragen via de adressen op de achterzijde van deze handleiding. U kunt ook een lijst van Black & Decker-servicecentra en meer informatie m.b.t. onze klantenservice vinden op het volgende internetadres: www.2helpU.com

Bezoek onze website www.blackanddecker.nl om uw nieuwe BLACK+DECKER-product te registreren en voor informatie over nieuwe producten en speciale aanbiedingen. Verdere informatie over het merk BLACK+DECKER en onze producten vindt u op www.blackanddecker.nl

Vergeet niet uw product te registreren.

www.blackanddecker.nl/productregistration Registreer uw product online op www.blackanddecker.nl/productregistration of stuur uw naam, achternaam en productcode naar BLACK+DECKER in uw land.

Uso previsto

La cortadora STC1815, STC1820, STC1820D de BLACK+DECKER se ha diseñado para cortar y acabar bordes del césped y cortar césped en zonas difíciles. Este aparato se ha diseñado únicamente para uso doméstico.

Instrucciones de seguridad

¡Atención! Si utiliza aparatos conectados a la red eléctrica, es necesario seguir las precauciones de seguridad básicas, incluidas las que se indican a continuación, para reducir el riesgo de incendios, descargas eléctricas, lesiones y daños materiales.

¡Atención! Cuando utilice el aparato se deben seguir las normas de seguridad. Por su propia seguridad y por la de otras personas, lea estas instrucciones antes de utilizar el aparato. Conserve estas instrucciones para consultarlas en un futuro.

- ◆ Lea todo el manual detenidamente antes de utilizar el aparato.
- ◆ En este manual se describe el uso para el que se ha diseñado el aparato. La utilización de accesorios o la realización de operaciones distintas de las recomendadas en este manual de instrucciones puede presentar un riesgo de lesiones.
- ◆ Conserve este manual para futuras consultas.

Utilización del aparato

Tenga siempre mucho cuidado al utilizar el aparato.

- ◆ Utilice siempre gafas protectoras.
- ◆ Nunca permita que los niños ni las personas no familiarizadas con estas instrucciones utilicen el aparato.

- ◆ Evite que los niños y animales se acerquen a la zona de trabajo y toquen el aparato o el cable de alimentación.
- ◆ Procure tener cuidado si utiliza el aparato cerca de niños.
- ◆ Este aparato está pensado para utilizarse con la supervisión correspondiente en el caso de menores o personas que no cuentan con la fuerza necesaria.
- ◆ Este aparato no es un juguete.
- ◆ Utilice el aparato únicamente a la luz del día o con iluminación artificial adecuada.
- ◆ Utilícelo únicamente en lugares secos. Tenga cuidado de no mojar el aparato.
- ◆ No sumerja el aparato en agua.
- ◆ No abra la carcasa. Las piezas del interior del aparato no pueden ser reparadas por el usuario.
- ◆ No utilice el aparato en un entorno con peligro de explosión, en el que se encuentren líquidos, gases o materiales en polvo inflamables.
- ◆ Para evitar dañar las clavijas o los cables, no tire nunca del cable para extraer la clavija de la toma de corriente.

Seguridad de terceros

- ◆ Ninguna persona (incluyendo niños) con capacidades físicas, sensoriales o mentales disminuidas, o que carezca de experiencia y conocimientos, debe utilizar este aparato, salvo que haya recibido supervisión o formación con respecto al uso del aparato por parte de una persona responsable de su seguridad.
- ◆ Los niños deben vigilarse en todo momento para garantizar que el aparato no se toma como elemento de juego.

Riesgos residuales.

El uso de esta herramienta puede producir riesgos residuales adicionales no incluidos en las advertencias de seguridad adjuntas. Estos riesgos se pueden generar por un uso incorrecto, demasiado prolongado, etc.

El cumplimiento de las normas de seguridad correspondientes y el uso de dispositivos de seguridad no evitan ciertos riesgos residuales. Estos riesgos incluyen:

- ◆ Lesiones producidas por el contacto con piezas móviles o giratorias.
- ◆ Lesiones producidas al cambiar cualquier pieza, cuchilla o accesorio.
- ◆ Lesiones producidas al usar una herramienta por un tiempo demasiado prolongado. Si utiliza una herramienta durante períodos de tiempo demasiado prolongados, asegúrese de realizar pausas con frecuencia.
- ◆ Discapacidad auditiva.

- ◆ Riesgos para la salud producidos al respirar el polvo que se genera al usar la herramienta (por ejemplo: en los trabajos con madera, especialmente de roble, haya y tableros de densidad mediana).

Después de la utilización

- ◆ Cuando el aparato no esté en uso, deberá guardarse en un lugar seco, bien ventilado y lejos del alcance de los niños.
- ◆ Los niños no deben tener acceso a los aparatos guardados.
- ◆ Cuando se guarde o transporte el aparato en un vehículo, deberá colocarse en el maletero o asegurarse para evitar movimientos producidos por cambios repentinos en la velocidad o la dirección.

Inspecciones y reparaciones

- ◆ Antes de utilizarlo, compruebe que el aparato no tiene piezas dañadas o defectuosas. Compruebe que no hay piezas rotas u otros defectos que puedan afectar al funcionamiento del aparato.
- ◆ No utilice el aparato si presenta alguna pieza dañada o defectuosa.
- ◆ Solicite a un agente de servicio técnico autorizado la reparación o sustitución de las piezas dañadas o defectuosas.
- ◆ Nunca intente extraer ni sustituir piezas no especificadas en este manual.

Instrucciones de seguridad adicionales para cortadoras de césped

¡Atención! Una vez apagado el motor, los elementos que se están cortando continuarán girando.

- ◆ Familiarícese con los controles y el uso correcto del aparato.
- ◆ Antes de utilizar el cable de alimentación y el cable de extensión, compruebe que no están dañados, gastados o deteriorados. Si se daña un cable mientras utiliza el producto, desconecte el cable de la red eléctrica inmediatamente. **NO TOQUE EL CABLE SIN HABERLO DESCONECTADO PREVIAMENTE DE LA RED ELÉCTRICA.**
- ◆ No utilice el aparato si los cables están dañados o desgastados.
- ◆ Utilice calzado resistente para proteger los pies.
- ◆ Vista pantalones largos para proteger las piernas.
- ◆ Antes de utilizar el aparato, compruebe que la zona que vaya a cortar no tenga ramas, piedras, alambres o ningún otro obstáculo.
- ◆ Utilice el aparato solamente en posición vertical, con la línea de corte cerca del suelo. No conecte nunca el aparato en otra posición.
- ◆ Mueva lentamente el aparato cuando lo utilice. Tenga en cuenta que el césped recién cortado está húmedo y resbaladizo.
- ◆ No trabaje en pendientes pronunciadas. Trabaje en sentido transversal a la pendiente, no hacia arriba o abajo.
- ◆ Nunca cruce caminos de grava ni carreteras mientras el aparato está en funcionamiento.
- ◆ Nunca toque la línea de corte mientras el aparato está en funcionamiento.
- ◆ No deposite el aparato hasta que la línea de corte se detenga por completo.
- ◆ Utilice únicamente el tipo de línea de corte apropiado. Nunca utilice líneas de corte o sedales de metal.
- ◆ Tenga cuidado de no tocar la hoja de la línea de corte.
- ◆ Tenga sumo cuidado en mantener el cable de alimentación lejos de la línea de corte. Tenga cuidado con la posición del cable en todo momento.
- ◆ Mantenga las manos y los pies alejados de la línea de corte en todo momento, especialmente al encender el motor.
- ◆ Antes de utilizar el aparato y después de cualquier impacto, compruebe si hay señales de desgaste o daños y repárelos si fuera necesario.
- ◆ Nunca utilice el aparato con protectores dañados o que no estén colocados en su lugar.

- Tome precauciones contra las lesiones causadas por cualquier dispositivo colocado para cortar la línea de filamentos. Después de prolongar una nueva línea de corte, coloque de nuevo el aparato en su posición normal de funcionamiento antes de encenderlo.
- Asegúrese siempre de que las ranuras de ventilación no tengan restos.
- No utilice el cortacésped (cortasetos) si los cables están dañados o desgastados.
- Mantenga los cables de extensión alejados de los elementos de corte.

Cargadores

- Utilice únicamente el cargador BLACK+DECKER para cargar la batería en la herramienta con la que fue suministrado. Si intenta cargar otras baterías, estas podrían explotar y provocar lesiones y daños materiales.
- Nunca intente cargar baterías no recargables.
- Sustituya los cables defectuosos inmediatamente.
- No exponga el cargador al agua.
- No abra el cargador.
- No aplique ningún dispositivo para medir la resistencia del cargador.

Instrucciones de seguridad adicionales para baterías y cargadores

Baterías

- No intente abrirlas bajo ningún concepto.
- No exponga las baterías al agua.
- No las almacene en lugares en los que la temperatura pueda superar los 40 °C.
- Realice la carga únicamente a una temperatura ambiente de entre 10 °C y 40 °C.
- Utilice únicamente el cargador suministrado con la herramienta para realizar la carga.
- Para desechar las pilas o las baterías, siga las instrucciones facilitadas en la sección "Protección del medio ambiente".



Este cargador está pensado únicamente para utilizar en un lugar interior.



Lea el manual de instrucciones antes de utilizar el aparato.

Seguridad eléctrica



El cargador está provisto de doble aislamiento, por lo que no requiere una toma de tierra. Cada vez que utilice el aparato, debe comprobar que el voltaje de la red eléctrica corresponde al valor indicado en la placa de características. No intente sustituir el cargador por un enchufe convencional para la red eléctrica.

- Si se dañara el cable de alimentación, deberá ser sustituido por el fabricante o por un centro de asistencia técnica autorizado de BLACK+DECKER para evitar cualquier situación de riesgo.

Etiquetas del aparato

Junto con el código de la fecha, en la herramienta aparecen los siguientes símbolos :



Lea el manual antes de utilizar el aparato.



Cuando utilice el aparato, lleve siempre gafas protectoras.



Cuando maneje el aparato, utilice protectores para los oídos adecuados.



Antes de revisar un cable dañado, retire siempre la clavija del enchufe de corriente. Tenga cuidado de no utilizar la cortadora si el cable está estropeado.



Tenga cuidado con los objetos que salen volando. Mantenga a otras personas alejadas de la zona de corte.



No exponga el aparato a la lluvia ni a una humedad elevada.



Directiva 2000/14/CE sobre la potencia acústica garantizada.

Características

Este aparato incluye una o más de las siguientes características.

1. Interruptor de encendido/apagado
2. Mango
3. Botón de desbloqueo
4. Batería
5. Mango secundario
6. Protector
7. Compartimento para la bobina
8. Cabeza
9. Selección de potencia (solo STC1820)

10. Disco de corte (solo STC1820 & STC1820D)
11. Guía de corte (solo STC1815)

Montaje

¡Atención! Antes de proceder al montaje, compruebe que la herramienta está apagada y que ha retirado la batería.

Ajuste del protector (fig. A&B)

- ◆ Retire el tornillo del protector.
- ◆ Sujete el protector (6) de manera que quede perpendicular a la cabeza de la cortadora (8) y deslícelo hasta que la lengüeta de sujeción encaje en su sitio con un clic (asegúrese de que los raíles de la guía (12) del protector (6) queden correctamente alineados con los raíles de la guía (13) de la cabeza de la cortadora (8)).
- ◆ Fije el protector (6) con el tornillo (14).

¡Atención! Nunca utilice la herramienta a menos que el protector esté colocado correctamente.

Colocación del mango secundario (fig. C)

- ◆ Mantenga pulsados los dos botones (15) que hay en el lateral del mango.
- ◆ Deslice el mango secundario (5) hasta que quede colocado en su sitio, por encima de los botones (15).

¡Atención! Asegúrese de que los dientes del botón queden correctamente alineados en las ranuras del mango y de que dicho mango esté colocado firmemente.

Ajuste de la posición del mango secundario (fig. D)

Puede ajustar el mango secundario (5) para obtener el máximo equilibrio y comodidad.

- ◆ Pulse el botón (15) que hay en el lateral izquierdo del mango.
- ◆ Gire el mango secundario (5) hasta que quede en la posición deseada.
- ◆ Suelte el botón (15).

¡Atención! Asegúrese de que los dientes del botón queden correctamente alineados en las ranuras del mango y de que dicho mango esté colocado firmemente.

Ajuste de la altura de la herramienta (fig. E)

Esta herramienta dispone de un mecanismo telescópico que permite regular la altura para su comodidad. El aparato puede colocarse a muchas alturas.

Para ajustar la altura, siga los pasos siguientes:

- ◆ Afloje el collar de ajuste (16) girándolo en el sentido de las agujas del reloj.
- ◆ Deslice suavemente el tubo (17) hacia dentro o hacia fuera del mango (2) hasta que quede a la altura deseada.
- ◆ Apriete el collar de ajuste (16) girándolo en el sentido contrario a las agujas del reloj.

Extracción de la línea de corte

Mientras se encuentra en tránsito, la línea de corte está sujeta con una cinta al compartimento para la bobina.

¡Atención! Antes de proceder al montaje, extraiga la batería de la herramienta.

- ◆ Extraiga la cinta que sujeta la línea de corte al compartimento para la bobina (7).

Inserción y extracción de la batería (fig. F)

- ◆ Para insertar la batería (4), alinéela con el receptáculo de la herramienta. Deslice la batería dentro del receptáculo y empujela hasta que encaje en su sitio.
- ◆ Para extraer la batería, pulse el botón de liberación (18) a la vez que tira de la batería para extraerla del receptáculo.

Uso

¡Atención! Deje que la herramienta funcione a su ritmo. No la sobrecargue.

Carga de la batería (fig. G)

Es necesario cargar la batería antes del primer uso y cada vez que perciba que no dispone de suficiente potencia para tareas que antes realizaba con facilidad. Es posible que la batería se caliente durante la carga, algo que es normal y no denota ningún problema.

¡Atención! No cargue la batería a una temperatura ambiente inferior a 10 °C o superior a 40 °C. Temperatura de carga recomendada: aprox. 24 °C.

Nota: el cargador no cargará la batería si la temperatura de esta es inferior a los 10 °C o superior a los 40 °C aproximadamente.

Deje la batería en el cargador y este empezará a cargarla automáticamente cuando la temperatura de la batería aumente o disminuya.

- ◆ Para cargar la batería (4), insértela en el cargador (19). La batería solo encajará en el cargador en una dirección. No la fuerce. Asegúrese de que la batería queda perfectamente encajada en el cargador.
- ◆ Enchufe el cargador y conéctelo a la red eléctrica. El indicador de carga (20) parpadeará en verde de forma continua (lentamente). La carga habrá finalizado cuando el indicador de carga (20) se ilumine en verde de manera continua. El cargador y la batería pueden permanecer conectados durante un periodo de tiempo indefinido con el indicador LED iluminado. El indicador LED pasará a parpadear en verde (estado de carga), ya que el cargador completa la carga de la batería ocasionalmente. El indicador de carga (20) permanecerá encendido siempre que la batería esté conectada al cargador y este último permanezca enchufado.
- ◆ Cargue las baterías descargadas en el plazo de 1 semana. La vida útil de la batería disminuirá considerablemente si se almacena descargada.

Si la batería se deja en el cargador

El cargador y la batería pueden permanecer conectados durante un periodo de tiempo indefinido con el indicador LED iluminado. El cargador mantendrá la batería a baja temperatura y completamente cargada.

Diagnóstico del cargador

Si el cargador detecta que la batería dispone de poca energía o está dañada, el indicador de carga (20) parpadeará en rojo a gran velocidad. Realice el procedimiento siguiente:

- ◆ Vuelva a insertar la batería (4).
- ◆ Si los indicadores de carga continúan parpadearando en rojo rápidamente, utilice una batería diferente para determinar si el proceso de carga se efectúa correctamente.

- ◆ Si la batería sustituida se carga correctamente, significará que la batería original está defectuosa y que debe devolverla al centro de servicio para su reciclado.
- ◆ Si el cargador muestra la misma indicación con la batería nueva, llévelo a un centro de servicio autorizado para que lo revisen.

Nota: es posible que hagan falta 30 minutos para determinar si la batería es defectuosa. Si la batería está demasiado fría o demasiado caliente, el indicador LED parpadeará en rojo rápida y lentamente, de manera alterna, y se repetirá la secuencia.

Configuración de la herramienta en modo de corte o de orillado (fig. H,I,J&K)

La herramienta puede utilizarse en modo de corte (fig. H) o de orillado, para cortar la hierba que sobresale por encima de los bordes del césped y los parterres (fig. I).

Modo de corte (fig. E,H&J)

Para cortar, la cabeza de la cortadora debería estar en la posición que se muestra en la fig. J. Si no es así:

- ◆ Extraiga la batería de la herramienta.
- ◆ Afloje el collar de ajuste (16) girándolo en el sentido de las agujas del reloj.
- ◆ Mientras sujeta el mango (2), gire la cabeza (8) en el sentido de las agujas del reloj.
- ◆ Apriete el collar (16) girándolo en el sentido contrario a las agujas del reloj.

Nota: La cabeza solamente girará en un sentido.

Modo de orillado (fig. E,I&K)

Para orillar, la cabeza de la cortadora debería estar en la posición que se muestra en la fig. K. Si no es así:

- ◆ Extraiga la batería de la herramienta.
- ◆ Afloje el collar de ajuste (16) girándolo en el sentido de las agujas del reloj.
- ◆ Mientras sujeta el mango (2), gire la cabeza (8) en el sentido contrario a las agujas del reloj.
- ◆ Apriete el collar (16) girándolo en el sentido contrario a las agujas del reloj.

Nota: La cabeza solamente girará en un sentido.

Encendido y apagado

- ◆ Para encender la herramienta, mantenga pulsado el botón de desbloqueo (3) y apriete el gatillo (1). Cuando la herramienta se ponga en funcionamiento, puede soltar el botón de desbloqueo (3).
- ◆ Para apagar la herramienta, suelte el gatillo.

¡Atención! No intente nunca trabar un gatillo en la posición de encendido.

Selección de potencia (solo STC1820)

La función de potencia amplificada (9) está situada en el mango de la herramienta. Le permite optimizar el rendimiento de la herramienta y amplificar la potencia de la manera que necesite.

- ◆ Utilícela en el modo "ECO" para la mayoría de necesidades de corte. (Se conseguirá un tiempo de funcionamiento mayor).
- ◆ Es necesario cambiar al modo "TURBO" cuando la vegetación que se va a cortar es alta, está húmeda o tupida.

Consejos para un uso óptimo

General

- ◆ Para obtener unos resultados de corte óptimos, corte únicamente hierba seca.

Corte

- ◆ Sujete la herramienta como se muestra en la fig. J
- ◆ Balancee suavemente la cortadora de un lado a otro.
- ◆ Cuando corte césped largo, trabaje por fases desde arriba. Realice cortes pequeños.
- ◆ Mantenga la herramienta alejada de objetos duros y plantas delicadas.
- ◆ La línea de corte se desgastará con más rapidez y necesitará más alimentación si el corte se realiza junto a pavimentos u otras superficies abrasivas, o si se cortan malas hierbas resistentes.
- ◆ Si la herramienta comienza a funcionar lentamente, reduzca la carga.

Orillado

Los mejores resultados de corte se obtienen en los bordes de más de 50 mm de profundidad.

- ◆ No utilice la herramienta para crear bordes. Para crear bordes, utilice una pala de orillado.
- ◆ Guíe la herramienta sobre su disco (10) o guía de corte (11) como se muestra en la fig. K.
- ◆ Para realizar un corte más cercano, incline ligeramente la herramienta.

Colocación de una nueva bobina de línea de corte (fig.)

Encontrará bobinas de línea de corte de repuesto en el distribuidor de BLACK+DECKER más cercano (número de catálogo A6481).

- ◆ Extraiga la batería de la herramienta.
- ◆ Mantenga las lengüetas (21) presionadas y extraiga la cubierta de la bobina (22) del compartimento para la bobina (7).
- ◆ Retire la bobina vacía (23) del compartimento para la bobina.
- ◆ Elimine la suciedad y los restos de césped de la cubierta y el compartimento de la bobina.
- ◆ Sujete la bobina nueva y empújela por el interior del eje central situado en el compartimento de la bobina. Gire ligeramente la bobina hasta que quede perfectamente encajada.
- ◆ Libere el extremo de la línea de corte y guíe la línea hasta el interior del ojete (24). La línea debería sobresalir unos 11 cm de la cubierta de la bobina.
- ◆ Alinee las lengüetas (21) de la cubierta de la bobina con los cortes (25) del compartimento de la bobina.
- ◆ Empuje la cubierta en el compartimento de la bobina hasta que encaje en su lugar correctamente.

¡Atención! Si las líneas de corte sobresalen más que la hoja de corte (26), córtelas de modo que solo lleguen hasta la altura de la hoja.

Enrollado de una línea de corte nueva en una bobina vacía (fig. M,N&O)

Es posible enrollar una línea de corte nueva en una bobina vacía.

Encontrará paquetes de repuesto de líneas de corte en el distribuidor de Black+Decker más cercano (número de catálogo A6170 (25 m), A6171 (40 m)).

- ◆ Retire la bobina vacía de la herramienta tal como se describe anteriormente.
- ◆ Retire cualquier línea de corte restante de la bobina.
- ◆ Introduzca 2 cm de línea de corte en el orificio (27) de la bobina tal como se muestra en la imagen (fig. M).
- ◆ Doble la línea de corte y asegúrela en la ranura con forma de L (28).
- ◆ Enrolle la línea de corte en la bobina en la dirección que indica la flecha. Asegúrese de enrollar la línea de manera que no cuelgue y por capas. No la enrolle entrecruzada (fig. O).
- ◆ Cuando la línea de corte enrollada llegue hasta las hendiduras (29), córtela. Deje que la línea sobresalga aproximadamente 11 cm de la bobina y presiónela con un dedo para mantenerla en su sitio (fig. N).
- ◆ Siga los pasos descritos anteriormente para colocar la bobina en la herramienta.

¡Atención! Utilice únicamente el tipo de línea de corte apropiado de BLACK+DECKER.

Solución de problemas

Si le parece que la herramienta no funciona de forma adecuada, siga las instrucciones que se indican a continuación. Si no se resuelve el problema, póngase en contacto con un técnico autorizado de BLACK+DECKER.

¡Atención! Antes de hacerlo, desconecte la herramienta.

El aparato funciona lentamente

- ◆ Compruebe que el compartimento para la bobina puede girar sin problemas. Límpielo con cuidado si fuera necesario.
- ◆ Compruebe que la línea de corte no sobresale más de 11 cm del compartimento para la bobina. Si sobresale, córtela de modo que sólo llegue hasta la altura de la hoja de la línea de corte.

La alimentación automática de la línea no funciona

- ◆ Mantenga las lengüetas presionadas y extraiga la cubierta de la bobina del compartimento.
- ◆ Empuje la línea de corte hasta que sobresalga 11 cm del compartimento. Si se deja una línea de corte insuficiente en el bobina, instale una nueva bobina de línea de corte como se indica anteriormente.
- ◆ Alinee las lengüetas de la cubierta de la bobina con los cortes del compartimento.
- ◆ Empuje la cubierta en el compartimento hasta que se coloque en su lugar correctamente.
- ◆ Si la línea de corte sobresale más allá de la hoja de corte, córtela de modo que llegue justo hasta la altura de la hoja.

Si la alimentación automática de la línea no funciona o la bobina está atascada, pruebe a hacer lo siguiente:

- ◆ Limpie con cuidado la cubierta de la bobina y su compartimento.
- ◆ Extraiga la bobina y compruebe si la palanca puede moverse libremente.
- ◆ Retire la bobina desenrolle la línea de corte y a continuación enróllela otra vez sin que cuelgue, como se describe anteriormente. Sustituya la bobina como se ha indicado.

Mantenimiento

Este aparato o herramienta con o sin cable de BLACK+DECKER se ha diseñado para que funcione durante un largo período de tiempo con un mantenimiento mínimo. El funcionamiento satisfactorio continuado depende de un cuidado apropiado y una limpieza periódica de la herramienta o aparato.

El cargador no requiere ningún mantenimiento especial excepto una limpieza periódica.

¡Atención! Antes de realizar el mantenimiento de herramientas eléctricas con o sin cables:

- ◆ Apague y desenchufe el aparato o herramienta.
- ◆ O bien, apague y extraiga las pilas o la batería del aparato o herramienta, en caso de que disponga de una batería separada.
- ◆ O bien, deje que la batería se agote por completo si es integral y, a continuación, apague el aparato.
- ◆ Desenchufe el cargador antes de limpiarlo. El cargador no requiere ningún mantenimiento especial excepto una limpieza periódica.
- ◆ Limpie periódicamente las ranuras de ventilación de la herramienta, aparato y cargador con un cepillo suave o un paño seco.
- ◆ Limpie periódicamente la carcasa del motor con un paño húmedo. No utilice limpiadores de base abrasiva o disolventes.
- ◆ Limpie periódicamente la línea de corte y la bobina con un cepillo suave o un paño seco.
- ◆ Utilice periódicamente un raspador sin filo para eliminar los restos de hierba y la suciedad acumulada debajo del protector.

Protección del medio ambiente



Recogida selectiva. No se debe desechar este producto con el resto de residuos domésticos.

Si llegase el momento en que fuese necesario sustituir su producto BLACK+DECKER o si este dejase de tener utilidad para usted, no lo deseche junto con los residuos domésticos. Sepárelo para su recogida selectiva.



La recogida selectiva de productos y embalajes usados permite el reciclaje de materiales y su reutilización. La reutilización de materiales reciclados contribuye a evitar la contaminación medioambiental y reduce la demanda de materias primas.

Las normativas municipales deben ofrecer la recogida selectiva de productos eléctricos del hogar, en puntos municipales previstos para tal fin o a través del distribuidor cuando adquiera un nuevo producto.

BLACK+DECKER proporciona facilidades para la recogida y reciclado de los productos BLACK+DECKER que han llegado al final de su vida útil. Para poder utilizar este servicio, le rogamos que entregue el producto a cualquier agente de servicio técnico autorizado para que se haga cargo de él en nuestro nombre.

Puede consultar la dirección de su agente de servicio técnico más cercano si se pone en contacto con la oficina local de BLACK+DECKER en la dirección que se indica en este manual. Como alternativa puede consultar la lista de servicios técnicos autorizados de BLACK+DECKER y obtener la información completa de nuestros servicios de posventa y los contactos disponibles en la siguiente dirección de Internet: www.2helpU.com

Baterías



Cuando las baterías lleguen al final de su vida útil, deséchelas respetando el medio ambiente:

- ◆ Deje que la batería se agote por completo y, a continuación, extraígalas de la herramienta.
- ◆ Las baterías de níquel cadmio (NiCd), de hidruro de níquel-metal (NiMH) y de iones de litio son reciclables. Coloque las baterías en un embalaje adecuado de modo que los terminales no entren en contacto y provoquen un cortocircuito. Llévelas a cualquier agente técnico autorizado o a un centro de reciclaje local.
- ◆ Procure no provocar un cortocircuito entre los terminales de la batería.
- ◆ No arroje las baterías al fuego, ya que podría provocar daños personales o una explosión.

Ficha técnica

		STC1815 STC1820D H 2	STC1820 H 2
Voltaje de entrada	V _{ac}	18	18
Velocidad sin carga	min ⁻¹	6200	5500-7400
Peso	kg	2.6	2.6

Batería		BL1118	BL1318	BL1518	BL2018	BL4018
Voltaje	V _{ac}	18	18	18	18	18
Capacidad	Ah	1.0	1.3	1.5	2.0	4.0
Tipo		iones de litio	iones de litio	iones de litio	iones de litio	iones de litio

Cargador		905902** (tip. 1)
Voltaje de entrada	V _{ac}	100 - 240
Voltaje de salida	V _{ac}	8 - 20
Corriente	mA	400

Valor cuadrático medio ponderado en frecuencia de la aceleración según EN 786:

= 9.0 m/s², incertidumbre (K) = 1.5 m/s².

L_{in} (presión acústica) 76 dB(A)
incertidumbre (K) = 1.6 dB(A)

Declaración de conformidad de la CE

DIRECTIVA DE MAQUINARIAS

DIRECTIVA SOBRE LA EMISIÓN DE RUIDO EN EXTERIORES



STC1815/STC1820/STC1820D cortadora

Black & Decker declara que los productos descritos en la "ficha técnica" cumplen con las siguientes directrices: 2006/42/CE, EN 60335-1:2012+A11:2014, EN 60335-2-91:2014

2000/14/CE, Cortacésped, L ≤ 50 cm, Anexo VIII
DEKRA Certification B.V., Utrechtseweg 310,
6802 ED Arnhem, Países Bajos
N.º de ID del departamento notificado: 0344

Nivel de intensidad acústica de acuerdo con la directiva 2000/14/CE (artículo 12, anexo III, L ≤ 50 cm):

L_{in} (potencia acústica medida) 90 dB(A)
incertidumbre (K) = 1.6 dB(A)

L_{in} (potencia acústica garantizada) 92 dB(A)

Estos productos también cumplen con las Directivas 2014/30/EU y 2011/65/UE.

Si desea obtener más información, póngase en contacto con Black & Decker a través de la siguiente dirección o consulte la contracubierta del manual.

La persona que firma a continuación es responsable de la elaboración del archivo técnico y realiza esta declaración en nombre de Black & Decker.

R. Laverick
Engineering Director
Black & Decker Europe, 210 Bath Road, Slough,
Berkshire, SL1 3YD
United Kingdom
06/12/2016

Garantía

Black & Decker confía plenamente en la calidad de sus productos y ofrece una garantía extraordinaria. Esta declaración de garantía es un añadido, y en ningún caso un perjuicio para sus derechos legales. La garantía es válida dentro de los territorios de los Estados miembros de la Unión Europea y de los de la Zona Europea de Libre Comercio.

Si un producto Black & Decker resultara defectuoso debido a materiales o mano de obra defectuosos o a la falta de conformidad, Black & Decker garantiza, dentro de los 24 meses siguientes a la fecha de compra, la sustitución de las piezas defectuosas, la reparación de los productos sujetos a un desgaste y rotura razonables o la sustitución de tales productos para garantizar al cliente el mínimo de inconvenientes, a menos que:

- ◆ El producto se haya utilizado con propósitos comerciales, profesionales o de alquiler.
- ◆ El producto se haya sometido a un uso inadecuado o negligente.
- ◆ El producto haya sufrido daños causados por objetos o sustancias extrañas o accidentes.
- ◆ Se hayan realizado reparaciones por parte de personas que no sean del servicio técnico autorizado o personal de servicios de Black & Decker.

Para reclamar en garantía, será necesario que presente la prueba de compra al vendedor o al agente de servicio técnico autorizado. Puede consultar la dirección de su agente de servicio técnico más cercano si se pone en contacto con la oficina local de Black & Decker en la dirección que se indica en este manual. Como opción alternativa, puede consultar la lista de servicios técnicos autorizados de Black & Decker y obtener la información completa de nuestros servicios de posventa y contactos en la siguiente dirección de Internet: www.2helpU.com

Visite nuestro sitio web www.blackanddecker.es para registrar su nuevo producto BLACK+DECKER y mantenerse al día sobre nuestros productos y ofertas especiales. Encontrará información adicional sobre la marca BLACK+DECKER y nuestra gama de productos en www.blackanddecker.es

No olvide registrar su producto.

www.blackanddecker.es/productregistration Registre el producto en línea en la dirección www.blackanddecker.es/productregistration o envíe su nombre, apellidos y código de producto a la oficina de BLACK+DECKER de su país.

Utilização prevista

O seu cortador STC1815, STC1820, STC1820D BLACK+DECKER foi concebido para aparar as extremidades dos relvados e para cortar relva em espaços exíguos. Este aparelho destina-se apenas a utilização doméstica.

Instruções de segurança

Aviso! Ao utilizar aparelhos eléctricos, deve sempre cumprir medidas de segurança básicas, incluindo as que se seguem, de modo a reduzir os riscos de incêndio, choque eléctrico e ferimentos.

Aviso! Ao utilizar a máquina, terá de seguir as regras de segurança. Para sua segurança e das outras pessoas, leia estas instruções antes de utilizar a máquina. Mantenha as instruções em local seguro para futuras consultas.

- Leia com atenção todo o manual antes de utilizar o aparelho.
- A utilização prevista para este aparelho está descrita no manual. A utilização de qualquer acessório ou a realização de qualquer operação com este aparelho que não se inclua no presente manual de instruções poderá representar um risco de ferimentos pessoais.
- Conserve este manual para referência futura.

Utilização do aparelho

Tenha sempre cuidado quando utilizar este aparelho.

- Utilize sempre óculos ou viseiras de protecção.
- Nunca deixe crianças ou pessoas que não estejam familiarizadas com estas instruções utilizar este aparelho.

- Não deixe crianças ou animais aproximarem-se da área de trabalho ou tocarem no aparelho ou no cabo de alimentação.
- É necessária uma supervisão atenta quando o aparelho está a ser utilizado próximo de crianças.
- Este aparelho não deve ser utilizado por jovens ou pessoas doentes sem supervisão.
- Este aparelho não deve ser utilizado como um brinquedo.
- Utilize apenas o aparelho à luz do dia ou com uma boa luz artificial.
- Utilize-o apenas num local seco. Não deixe molhar o aparelho.
- Não mergulhe o aparelho em água.
- Não abra a estrutura do aparelho. Não existem peças para manipulação pelo utilizador no interior.
- Não utilize o equipamento em áreas com risco de explosão, nas quais se encontrem líquidos, gases ou poeiras inflamáveis.
- Para reduzir o risco de danos nas fichas e cabos, nunca puxe o cabo para remover a ficha de uma tomada.

Segurança de terceiros

- Este aparelho não deve ser utilizado por pessoas (incluindo crianças) que apresentem capacidades físicas, sensoriais ou mentais reduzidas ou que não possuam os conhecimentos e a experiência necessários, excepto se forem vigiadas e instruídas acerca da utilização do aparelho por uma pessoa responsável pela sua segurança.

- ◆ Esteja atento às crianças para que não brinquem com o aparelho.

Riscos residuais.

Podem surgir riscos residuais adicionais durante a utilização da ferramenta que poderão não constar nos avisos de segurança incluídos. Estes riscos podem resultar de má utilização, uso prolongado, etc.

Mesmo com a aplicação dos regulamentos de segurança relevantes e com a implementação de dispositivos de segurança, alguns riscos residuais não podem ser evitados. Incluem:

- ◆ ferimentos causados pelo contacto com peças em rotação/movimento.
- ◆ ferimentos causados durante a troca de peças, lâminas ou acessórios.
- ◆ ferimentos causados pela utilização prolongada de uma ferramenta.
Quando utilizar uma ferramenta por períodos prolongados, faça intervalos regulares.
- ◆ diminuição da audição.
- ◆ Problemas de saúde causados pela inalação de poeiras resultantes da utilização da ferramenta (exemplo: trabalhos em madeira, especialmente carvalho, faia e MDF).

Após a utilização

- ◆ Quando não for utilizado, o aparelho deve ser guardado num local seco e com boa ventilação, fora do alcance das crianças.
- ◆ As crianças não devem ter acesso a aparelhos armazenados.

- ◆ Quando o aparelho for guardado ou transportado num veículo, deverá ser colocado na bagageira ou fixo de forma a evitar o movimento devido a alterações súbitas na velocidade ou direcção.

Inspeção e reparações

- ◆ Antes da utilização, verifique a existência de peças danificadas ou avariadas no aparelho. Verifique se existem peças partidas e quaisquer outras situações que possam afectar o bom funcionamento.
- ◆ Não utilize o aparelho se alguma das peças se encontrar danificada ou avariada.
- ◆ Mande reparar ou substituir quaisquer peças danificadas ou avariadas por um agente de reparação autorizado.
- ◆ Nunca tente retirar ou substituir quaisquer peças que não as especificadas neste manual.

Instruções de segurança adicionais para cortadores de relva

Aviso! Os elementos de corte continuarão a rodar após o motor ter sido desligado.

- ◆ Familiarize-se com os controlos e a utilização adequada da máquina.

- Antes da utilização, verifique se o cabo de alimentação e a extensão eléctrica apresentam sinais de corrosão, danos ou desgaste. Se um cabo se danificar durante a utilização, desligue de imediato o aparelho da fonte de alimentação eléctrica. **NÃO TOQUE NO CABO DE ALIMENTAÇÃO ANTES DE DESLIGAR A FONTE DE ALIMENTAÇÃO ELÉCTRICA.**
- Não utilize o aparelho se os cabos se encontrarem danificados ou apresentarem desgaste.
- Use botas ou sapatos reforçados para proteger os pés.
- Use calças compridas para proteger as pernas.
- Antes de utilizar o aparelho, verifique se o percurso de corte não tem paus, pedras, cabos e outros obstáculos.
- Utilize sempre o aparelho na posição vertical, com a linha de corte junto ao chão. Nunca ligue o aparelho noutra posição.
- Ao utilizar o aparelho, desloque-se lentamente. A relva acabada de cortar está molhada e escorregadia.
- Não trabalhe em declives. Trabalhe ao longo dos declives, e nunca em sentido ascendente ou descendente.
- Nunca atravesse caminhos de grilha ou estradas com o aparelho em funcionamento.
- Nunca toque na linha de corte com o aparelho em funcionamento.
- Não pouse o aparelho até a linha de corte parar completamente.
- Utilize sempre o tipo adequado de linha de corte. Nunca utilize linhas de corte metálicas nem linha de pesca.
- Tenha cuidado para não tocar na lâmina da linha de corte.
- Certifique-se sempre de que o cabo de alimentação se encontra afastado da linha de corte. Tenha sempre presente a posição do cabo.
- Mantenha sempre as mãos e os pés afastados da linha de corte, especialmente ao ligar o motor.
- Antes de utilizar o aparelho e depois de qualquer impacto, procure sinais de desgaste ou peças danificadas e repare-as conforme necessário.
- Nunca utilize o aparelho com protecções danificadas ou sem protecções.
- Tenha cuidado para que nenhum dispositivo montado no aparelho corte o filamento da linha. Depois de estender uma nova linha de corte, volte sempre a colocar a máquina na posição normal de funcionamento antes de a ligar.
- Certifique-se sempre de que as ranhuras de ventilação se encontram livres de detritos.
- Não utilize o cortador de relvados (cortador de extremidades) se os cabos se encontrarem danificados ou apresentarem sinais de desgaste.
- Mantenha os cabos de extensão afastados dos elementos de corte.

Instruções de segurança adicionais para baterias e carregadores

Baterias

- Nunca tente abrir a bateria por motivo algum.
- Não exponha a bateria à água.
- Não a armazene em locais onde a temperatura possa exceder os 40 °C.
- Carregue apenas a temperaturas ambiente entre 10 °C e 40 °C.
- Carregue apenas com o carregador fornecido com a ferramenta.
- Quando eliminar as baterias, siga as instruções da secção "Protecção do ambiente".

Carregadores

- Utilize o seu carregador BLACK+DECKER apenas para carregar a bateria na ferramenta respectiva. Outras baterias podem rebentar, provocando ferimentos e danos.
- Nunca tente carregar baterias não recarregáveis.
- Substitua os cabos defeituosos imediatamente.
- Não exponha o carregador à água.
- Não abra o carregador.
- Não manipule o interior do carregador.



O carregador deverá ser utilizado apenas em espaços interiores.



Leia o manual de instruções antes da utilização.

Segurança eléctrica



O carregador tem um isolamento duplo, pelo que não é necessário um fio de terra. Verifique sempre se a tensão de alimentação corresponde à tensão indicada na placa de especificações. Nunca tente substituir a unidade do carregador por uma tomada normal de alimentação.

- Se o cabo de alimentação estiver danificado, terá de ser substituído pelo fabricante ou por um centro de assistência autorizado BLACK+DECKER para evitar acidentes.

Rótulos do aparelho

A ferramenta apresenta os seguintes símbolos de aviso juntamente com o código de data:



Antes de utilizar o aparelho, leia o manual.



Utilize óculos ou viseiras de protecção quando utilizar este aparelho.



Utilize protecções auditivas adequadas ao utilizar o aparelho.



Remova sempre a ficha da tomada antes de inspeccionar o cabo danificado. Tenha o cuidado de não utilizar o cortador caso o cabo se encontre danificado.



Esteja atento à projecção de objectos. Mantenha as pessoas afastadas da área de corte.



Não exponha o aparelho à chuva ou humidade elevada.



A potência sonora cumpre a Directiva 2000/14/CE.

Componentes

Este aparelho inclui algumas ou todas as seguintes características.

1. Interruptor para Ligar/Desligar
2. Manipulo
3. Botão de desbloqueio
4. Bateria
5. Manipulo secundário
6. Protecção
7. Compartimento do cilindro
8. Cabeça
9. Selector de potência (apenas STC1820)
10. Roda da extremidade (apenas STC1820 & STC1820D)
11. Guia de régua (apenas STC1815)

Montagem

Aviso! Antes da montagem, certifique-se de que a ferramenta está desligada e que a bateria foi retirada.

Fixação da protecção (fig. A&B)

- ◆ Remova o parafuso da protecção.
- ◆ Mantendo a protecção (6) em esquadria com a cabeça do cortador (8) faça-a deslizar para a posição até a patilha de retenção encaixar na posição (certifique-se de que as calhas de orientação (12) da protecção (6) estão alinhadas correctamente com as calhas de orientação (13) da cabeça do cortador (8)).
- ◆ Fixe a protecção (6) com o parafuso (14).

Aviso! Nunca utilize a ferramenta sem que a protecção se encontre correctamente montada.

Montagem do manipulo secundário (fig. C)

- ◆ Pressione e mantenha premidos ambos os botões (15) laterais do manipulo.
- ◆ Faça deslizar o manipulo secundário (5) para a posição sobre os botões (15).

Aviso! Certifique-se de que os dentes do botão estão alinhados correctamente nas ranhuras do manipulo e que o manipulo está bem preso.

Ajustar a posição do manipulo secundário (fig. D)

O manipulo secundário (5) pode ser ajustado para fornecer maior equilíbrio e conforto.

- ◆ Pressione o botão (15) do lado esquerdo do manipulo.
- ◆ Rode o manipulo secundário (5) para a posição pretendida.
- ◆ Solte o botão (15).

Aviso! Certifique-se de que os dentes do botão estão alinhados correctamente nas ranhuras do manipulo e que o manipulo está bem preso.

Ajuste da altura da ferramenta (fig. E)

Esta ferramenta possui um mecanismo telescópico que permite o ajustamento para uma altura confortável. Existem várias definições de altura.

Para ajustar a definição de altura, proceda da seguinte forma:

- ◆ Solte o mandril de ajuste (16) rodando-o no sentido dos ponteiros do relógio.

- ◆ Puxe suavemente o tubo (17) para dentro ou para fora do manipulo (2) para a altura pretendida.
- ◆ Aperte o mandril de ajuste (16) rodando-o no sentido contrário ao dos ponteiros do relógio.

Soltar a linha de corte

Durante o transporte, a linha de corte encontra-se colada com fita adesiva ao compartimento do cilindro.

Atenção! Antes de montar, remova a bateria da ferramenta.

- ◆ Remova a fita adesiva que prende a linha de corte ao compartimento do cilindro (7).

Colocar e remover a bateria (fig. F)

- ◆ Para colocar a bateria (4), alinhe-a com o receptáculo na ferramenta. Faça deslizar a bateria para dentro do receptáculo e puxe até que a bateria se encaixe devidamente.
- ◆ Para remover a bateria, pressione o botão de desbloqueio (18) enquanto retira, ao mesmo tempo, a bateria do receptáculo.

Utilização

Atenção! Deixe a ferramenta funcionar ao seu próprio ritmo. Não a sobrecarregue.

Carregar a bateria (fig. G)

A bateria precisa de ser carregada antes da primeira utilização e sempre que não consiga produzir energia suficiente em trabalhos habitualmente feitos sem dificuldade. A bateria pode aquecer durante o carregamento; isto é normal e não indica um problema.

Atenção! Não carregue a bateria a temperaturas ambientes abaixo de 10 °C ou acima de 40 °C. Temperatura de carregamento recomendada: aprox. 24 °C.

Nota: O carregador não irá carregar a bateria se a temperatura das células for inferior a 10 °C ou superior a 40 °C. A bateria não deve ser retirada do carregador para que este carregue automaticamente quando a temperatura das células aquecer ou arrefecer.

- ◆ Para carregar a bateria (4), encaixe-a no carregador (19). A bateria só pode ser encaixada no carregador de uma forma. Não force. Certifique-se de que a bateria está completamente introduzida no carregador.

- ◆ Ligue a ficha do carregador e ligue-o à corrente.

O indicador de carga (20) ficará intermitente a verde de forma contínua (lento).

O carregamento está concluído quando o indicador de carga (20) se acender a verde de forma contínua. O carregador e a bateria podem ser deixados ligados indefinidamente com o LED aceso. O LED irá mudar para o estado de intermitente a verde (a carregar) à medida que o carregador ocasionalmente preenche a carga da bateria. O indicador de carga (20) ficará aceso enquanto a bateria estiver fixa ao carregador ligado na tomada.

- ◆ As baterias descarregadas devem ser carregadas no espaço de 1 semana. A vida útil de uma bateria diminuirá muito se for guardada sem carga.

Deixar a bateria no carregador

O carregador e a bateria podem permanecer ligados com o LED aceso indefinidamente. O carregador irá manter a bateria completamente carregada.

Diagnóstico do carregador

Se o carregador detectar uma bateria fraca ou danificada, o indicador de carga (20) piscará rapidamente a vermelho. Proceda da seguinte forma:

- ◆ Volte a colocar a bateria (4).
- ◆ Se os indicadores de carga continuarem a piscar rapidamente a vermelho, utilize uma bateria diferente para determinar se o processo de carga está a funcionar correctamente.
- ◆ Se a bateria de substituição carregar correctamente, então a bateria original está defeituosa e deve ser entregue num centro de serviço para reciclagem.
- ◆ Se a bateria nova der a mesma indicação que a bateria original, leve o carregador até um centro de assistência autorizado para ser testado.

Nota: determinar se a bateria está defeituosa pode demorar até 30 minutos. Se a bateria estiver demasiado quente ou fria, o LED piscará alternadamente de modo rápido e lento, piscando uma vez a cada velocidade e repetindo o processo.

Configurar a ferramenta para podar ou aparar (fig. H,I,J&K)

A ferramenta pode ser utilizada para podar, como mostrado na fig. H, ou para aparar as extremidades dos relvados ou dos canteiros, como mostrado na fig. I.

Modo de poda (fig. E,H&J)

Para podar, a cabeça do cortador deve estar na posição indicada na fig. J. Se não estiver:

- ◆ Remova a bateria da ferramenta.
- ◆ Solte o mandril de ajuste (16) rodando-o no sentido dos ponteiros do relógio.
- ◆ Ao mesmo tempo que segura no manípulo (2), rode a cabeça (8) no sentido dos ponteiros do relógio.
- ◆ Aperte o mandril (16) rodando-o no sentido contrário ao dos ponteiros do relógio.

Nota: Nota: A cabeça só irá rodar numa direcção.

Modo de aparo (fig. E,I&K)

Para aparar, a cabeça do cortador deve estar na posição indicada na fig. K. Se não estiver:

- ◆ Remova a bateria da ferramenta.
- ◆ Solte o mandril de ajuste (16) rodando-o no sentido dos ponteiros do relógio.
- ◆ Ao mesmo tempo que segura no manípulo (2), rode a cabeça (8) no sentido oposto ao dos ponteiros do relógio.
- ◆ Aperte o mandril (16) rodando-o no sentido contrário ao dos ponteiros do relógio.

Nota: A cabeça só irá rodar numa direcção.

Ligar e desligar

- ◆ Para ligar a ferramenta, prima e mantenha premido o botão de desbloqueio (3) e, em seguida, aperte a alavanca do gatilho (1). Assim que a ferramenta começa a trabalhar, pode soltar o botão de bloqueio (3).
 - ◆ Para desligar o aparelho, solte a alavanca do gatilho.
- Aviso!** Nunca tente bloquear a alavanca do gatilho na posição de ligado.

Selector de potência (apenas STC1820)

A funcionalidade correspondente ao aumentador de potência (9) encontra-se no manípulo da ferramenta. Esta funcionalidade permiti-lhe otimizar o desempenho das ferramentas e aumentar a potência conforme necessário.

- ◆ Utilize o modo "ECO" para a maior parte dos procedimentos de poda. (Será atingido um tempo de execução mais longo.)
- ◆ Mude para o modo "TURBO" (Aumentar) em casos em que a relva esteja grande, húmida ou grossa.

Sugestões para uma utilização ideal

Gerais

- ◆ Para obter os melhores resultados de corte, corte apenas relva seca.

Podar

- ◆ Segure na ferramenta conforme indicado na fig. J
- ◆ Faça oscilar suavemente o cortador de um lado para o outro.
- ◆ Ao cortar relva crescida, trabalhe por fases a partir do topo. Efectue pequenos cortes.
- ◆ Mantenha a ferramenta afastada dos objectos duros e plantas delicadas.
- ◆ A linha de corte apresentará um desgaste mais rápido e necessitará de ser substituída se o corte for efectuado ao longo de passeios ou outras superfícies abrasivas ou se cortar ervas mais resistentes.
- ◆ Se a ferramenta perder velocidade, reduza a carga.

Aparar

Os melhores resultados de corte são obtidos em extremidades com mais de 50 mm.

- ◆ Não utilize a ferramenta para criar sebes. Para criar sebes, use um corta-sebes.
- ◆ Oriente a ferramenta na roda (10) ou guia de régua (11), conforme indicado na fig. K.
- ◆ Para cortes mais próximos, incline ligeiramente a ferramenta.

Montagem de um novo cilindro de linha de corte (fig. L)

Os cilindros de linha de corte sobresselentes encontram-se disponíveis no seu revendedor BLACK+DECKER (cat. N.º A6481).

- ◆ Remova a bateria da ferramenta.
- ◆ Mantenha as patilhas (21) soltas e remova a tampa do cilindro (22) do compartimento do cilindro (7).

- ◆ Remova o cilindro vazio (23) do compartimento do cilindro.
- ◆ Remova a erva e poeiras da tampa e do compartimento do cilindro.
- ◆ Coloque o novo cilindro no cubo do compartimento do cilindro. Rode ligeiramente o cilindro até encaixar.
- ◆ Retire a extremidade da linha de corte e coloque a linha no ilhó (24). A linha deverá sair aproximadamente 11 cm da tampa do cilindro.
- ◆ Alinhe as patilhas (21) da tampa do cilindro com os recortes (25) do compartimento do cilindro.
- ◆ Empurre a tampa em direcção ao compartimento do cilindro até encaixar de forma firme na posição respectiva.

Aviso! Se as linhas de corte saírem para além da lâmina de corte (26), corte-as para que cheguem apenas até à lâmina.

Enrolar uma nova linha de corte num cilindro vazio (fig. M,N&O)

Poderá enrolar uma nova linha de corte num cilindro vazio. Os pacotes sobresselentes de linha de corte encontram-se disponíveis no seu revendedor BLACK+DECKER (cat. N. A6170 (25 m), A6171 (40 m)).

- ◆ Remova o cilindro vazio da ferramenta, conforme descrito acima.
- ◆ Remova do cilindro a linha de corte que eventualmente sobrar.
- ◆ Carregue 2 cm de linha de corte através do orifício (26) no cilindro, conforme apresentado (fig. M).
- ◆ Dobre a linha de corte e prenda-a na ranhura em forma de L (28).
- ◆ Enrole a linha de corte no cilindro, no sentido da seta. Certifique-se de que enrola a linha de forma ordenada, por camadas. Não cruze a linha (fig. O).
- ◆ Quando a linha de corte enrolada chegar ao encaixe (29), corte a linha. Deixe a linha sair aproximadamente 11 cm do cilindro e segure-a com um dedo para a manter no lugar (fig. N).
- ◆ Prossiga conforme descrito acima para montar o cilindro na ferramenta.

Aviso! Utilize sempre o tipo de linha de corte BLACK+DECKER adequado.

Resolução de problemas

Se achar que a sua ferramenta não está a funcionar correctamente, siga as instruções abaixo. Se não conseguir resolver o problema, contacte o agente de reparação BLACK+DECKER local.

Atenção! Antes de continuar, desligue a ferramenta.

A ferramenta está lenta

- ◆ Verifique se o compartimento do cilindro pode rodar livremente. Se necessário, limpe-o cuidadosamente.
- ◆ Certifique-se de que não saem do compartimento do cilindro mais de 11 cm da linha de corte. Caso contrário, corte-a para que chegue apenas até à lâmina da linha de corte.

A alimentação automática de linha não funciona

- ◆ Mantenha as patilhas premidas e remova a tampa do cilindro do compartimento.
- ◆ Puxe a linha de corte até que saiam 11 cm do compartimento. Se a linha de corte restante no cilindro for insuficiente, instale um novo cilindro de linha de corte conforme explicado acima.
- ◆ Alinhe as patilhas da tampa do cilindro com os recortes do compartimento.
- ◆ Empurre a tampa em direcção ao compartimento até encaixar de forma firme na posição respectiva.
- ◆ Se a linha de corte ultrapassar a lâmina de corte, corte-a para que chegue apenas até à lâmina.

Se a alimentação automática de linha continuar a não funcionar ou o cilindro estiver encravado, experimente as seguintes sugestões:

- ◆ Limpe cuidadosamente a tampa do cilindro e o compartimento.
- ◆ Remova o cilindro e verifique se a alavanca se pode movimentar sem restrições.
- ◆ Remova o cilindro e desenrole a linha de corte. Em seguida volte a enrolá-la de forma ordenada, conforme descrito acima. Substitua o cilindro seguindo as instruções.

Manutenção

O seu aparelho/ferramenta BLACK+DECKER com/sem fios foi concebido para funcionar durante um longo período de tempo com um mínimo de manutenção. O funcionamento contínuo e satisfatório depende de uma manutenção adequada e limpeza regular da ferramenta/aparelho. O seu carregador não necessita de manutenção para além da limpeza regular.

Atenção! Antes de proceder a qualquer acção de manutenção em ferramentas eléctricas com/sem fios:

- ◆ Desligue o aparelho/ferramenta e retire a respectiva ficha da tomada.
- ◆ Ou desligue e remova a bateria do aparelho/ferramenta caso o aparelho/ferramenta tenha uma bateria individual.
- ◆ Ou deixe a bateria descarregar completamente se estiver incorporada e, em seguida, desligue-a.
- ◆ Desligue o carregador antes de o limpar. O seu carregador não necessita de manutenção para além da limpeza regular.
- ◆ Limpe regularmente as ranhuras de ventilação da ferramenta/aparelho e do carregador com uma escova suave ou um pano seco.
- ◆ Limpe regularmente o compartimento do motor com um pano húmido. Não utilize produtos de limpeza abrasivos ou à base de solventes.
- ◆ Limpe regularmente a linha de corte e o cilindro com uma escova ou um pano seco e suave.
- ◆ Utilize regularmente uma raspadeira para remover relva e sujidade da parte inferior da protecção.

Protecção do ambiente



Recolha separada. Este produto não pode ser eliminado juntamente com os resíduos domésticos normais.

Se, em algum momento, for necessário substituir este produto BLACK+DECKER ou se este deixar de ter utilidade, não elimine o produto num caixote do lixo. Este produto pode ser separado para reciclagem.



A recolha separada de produtos e embalagens usados permite que os materiais sejam reciclados e reutilizados.

A reutilização de materiais reciclados ajuda a evitar a poluição ambiental e reduz a procura de matérias-primas.

A legislação local poderá prever a recolha separada de produtos domésticos eléctricos, seja em lixeiras municipais ou através do revendedor quando adquire um produto novo.

A BLACK+DECKER dispõe de instalações para recolha e reciclagem de produtos BLACK+DECKER quando estes atingem o fim da vida útil. Para usufruir deste serviço, devolva o produto em qualquer agente de reparação autorizado, que os recolherá em seu nome.

Pode verificar a localização do agente de reparação autorizado mais perto de si, contactando os escritórios locais da BLACK+DECKER através do endereço indicado neste manual. Se preferir, pode encontrar na Internet uma lista de agentes de reparação autorizados BLACK+DECKER, detalhes completos e contactos do serviço pós-venda, no endereço: www.2helpU.com

Baterias



Quando as baterias chegarem ao fim da sua vida útil, elimine-as de forma segura para o ambiente:

- ◆ Deixe a bateria descarregar completamente e, em seguida, remova-a da ferramenta.
- ◆ As baterias de NiCd, NiMH e de lões de Lítio são recicláveis. Coloque as pilhas numa embalagem adequada, certificando-se de que os terminais não entram em curto-circuito. Leve as baterias ao seu agente de manutenção autorizado ou a uma estação de reciclagem local.
- ◆ Não coloque os terminais da pilha em curto-circuito.
- ◆ Não elimine as baterias queimando-as, porque existe o risco de ferimentos pessoais ou de explosão.

Dados técnicos

		STC1815 STC1820D H 2	STC1820 H 2
Tensão de entrada	V_{ac}	18	18
Velocidade sem carga	min ⁻¹	6200	5500-7400
Peso	kg	2,6	2,6

Bateria		BL1118	BL1318	BL1518	BL2018	BL4018
Tensão	V_{ac}	18	18	18	18	18
Capacity	Ah	1.0	1.3	1.5	2.0	4.0
Tipo		lões de lítio	lões de lítio	lões de lítio	lões de lítio	lões de lítio

Carregador		905902** (tipo 1)
Tensão de entrada	V_{ac}	100 - 240
Tensão de saída	V_{ac}	8 - 20
Corrente	mA	400

Valor de peso da vibração mão/braço de acordo com a EN 786:

= 9.0 m/s², imprecisão (K) = 1.5 m/s².

L_{pA} (pressão acústica) 76 dB(A)

imprecisão (K) = 1.6 dB(A)

Declaração de conformidade CE
DIRECTIVA PARA MÁQUINAS
DIRECTIVA DE RUÍDO AMBIENTE



STC1815/STC1820/STC1820D cortador

A Black & Decker declara que os produtos descritos em "dados técnicos" estão em conformidade com as seguintes normas:
 2006/42/CE, EN 60335-1:2012+A11:2014,
 EN 60335-2-91:2014

2000/14/CE, Cortador de Relvados, L ≤ 50 cm, Anexo VIII
 Certificação da DEKRA B.V., Utrechtseweg 310,
 6802 ED Arnhem, Países Baixos
 Notified Body ID No.: 0344

Nível de potência acústica de acordo com a norma 2000/14/CE

(Artigo 12, Anexo III, L ≤ 50 cm):

L_{wa} (potência acústica medida) 90 dB(A)
 imprecisão (K) = 1.6 dB(A)

L_{wa} (potência acústica garantida) 92 dB(A)

Estes produtos estão também em conformidade com a Directiva 2014/30/EU e 2011/65/UE.

Para obter mais informações, contacte a Black & Decker no endereço indicado ou consulte a parte posterior do manual. O signatário é responsável pela compilação do ficheiro técnico e efectua esta declaração em nome da Black & Decker.

R. Laverick
 Engineering Director
 Black & Decker Europe, 210 Bath Road, Slough,
 Berkshire, SL1 3YD
 United Kingdom
 06/12/2016

Garantia

A Black & Decker confia na qualidade dos seus produtos e oferece uma garantia excelente. Esta declaração de garantia é um complemento dos seus direitos estabelecidos por lei, não os prejudicando de forma alguma. A garantia é válida nos territórios dos Estados Membros da União Europeia e da Associação Europeia de Comércio Livre.

Se um produto Black & Decker avariar devido a defeitos de material, fabrico ou não conformidade, num período de 24 meses após a data da compra, a Black & Decker garante a substituição das peças defeituosas, a reparação de produtos sujeitos a um desgaste aceitável ou a substituição dos mesmos para garantir o mínimo de inconvenientes ao cliente, excepto se:

- ◆ o produto tiver sido utilizado para fins comerciais, profissionais ou de aluguer;
- ◆ o produto tiver sido submetido a utilização indevida ou negligência;
- ◆ o produto tiver sido danificado por objectos ou substâncias estranhos, bem como acidentes;
- ◆ tiverem sido tentadas reparações por pessoas que não sejam agentes de reparação autorizados ou técnicos de manutenção da Black & Decker.

Para accionar a garantia, terá de apresentar comprovativos de compra ao vendedor ou a um agente de reparação autorizado. Pode verificar a localização do agente de reparação autorizado mais perto de si, contactando os escritórios locais da Black & Decker através do endereço indicado neste manual. Se preferir, pode encontrar na Internet uma lista de agentes de reparação autorizados Black & Decker, detalhes completos e contactos do serviço pós-venda, no endereço: www.2helpU.com

Visite o nosso website www.blackanddecker.pt para registar o novo produto BLACK+DECKER e manter-se actualizado relativamente a novos produtos e ofertas especiais. Pode encontrar mais informações sobre a marca BLACK+DECKER e nossa gama de produtos em www.blackanddecker.pt

Não se esqueça de registar o seu produto!

<http://www.blackanddecker.pt/productregistration> Registe o seu produto online em www.blackanddecker.pt/product-registration ou envie o seu nome, apelido e o código do produto para a BLACK+DECKER no seu país.

Användningsområde

Din trimmer STC1815, STC1820, STC1820D från BLACK+DECKER är avsedd för trimning av gräsmattans kanter och för klippning av gräs på begränsade områden. Redskapet är endast avsedd för konsumentbruk.

Säkerhetsföreskrifter

Varning! Vid användning av nätdrivna redskap ska grundläggande säkerhetsföreskrifter, inklusive följande föreskrifter, alltid följas. Detta för att förhindra brand, stötar, personskador och materialskador.

Varning! Vid användning av maskinen ska säkerhetsföreskrifterna följas. För din egen och närvarande personers säkerhet bör du läsa dessa instruktioner innan du använder maskinen. Spara instruktionerna för senare bruk.

- Läs hela den här bruksanvisningen noggrant innan du börjar använda redskapet.
- Användningsområdet beskrivs i den här bruksanvisningen. Användning av andra tillbehör eller tillsatser eller andra åtgärder som utförs med redskapet än de som rekommenderas i den här bruksanvisningen kan leda till personskador.
- Behåll den här bruksanvisningen för framtida referens.

Använda redskapet

Var alltid försiktig när du använder redskapet.

- Använd alltid säkerhetsglasögon eller skyddsglasögon.
- Låt aldrig barn eller personer som inte har läst instruktionerna använda redskapet.

- Låt inte barn eller djur komma i närheten av arbetsområdet. Låt dem inte heller röra vid redskapet eller elsladden.
- Om det finns barn i närheten när du använder redskapet ska du övervaka dem noga.
- Redskapet är inte avsett att användas av unga eller oerfarna personer utan övervakning.
- Detta redskap ska inte användas som leksak.
- Använd endast redskapet i dagsljus eller i tillräcklig artificiell belysning.
- Använd det endast på torra ställen. Skydda redskapet från väta.
- Doppa aldrig redskapet i vatten.
- Öppna inte höljet. Det finns inga delar inuti som kan repareras.
- För att undvika explosionsrisk bör du inte använda redskapet i omgivningar med brandfarliga vätskor, gaser eller damm.
- Dra aldrig i sladden när du vill ta ut kontakten ur uttaget. Detta för att minska risken för skador på kontakter och sladdar.

Säkerhet för andra

- Redskapet ska inte användas av personer (inklusive barn) med nedsatt fysisk eller psykisk förmåga eller bristande erfarenhet och kunskap, om de inte får vägledning och övervakas av en person som ansvarar för deras säkerhet.
- Barn måste hållas under uppsikt så att de inte leker med redskapet.

Övriga risker.

Ytterligare risker som inte finns med i de bifogade säkerhetsanvisningarna kan uppstå när verktyget används. Dessa risker kan uppstå vid felaktig användning, långvarig användning, o.s.v.

Aven om alla relevanta säkerhetsanvisningar följs och säkerhetsanordningar används kan vissa ytterligare risker inte undvikas. Dessa innefattar:

- ♦ Skador orsakade av att roterande/rörliga delar vidrörs.
- ♦ Skador som uppstår vid byte av delar, blad eller tillbehör.
- ♦ Skador som orsakas av långvarig användning av ett verktyg. Se till att ta regelbundna raster när du använder ett verktyg under en längre period.
- ♦ Skador på hörseln.
- ♦ Hälsorisker orsakade av inandning av damm när redskapet används (exempel: arbete med trä, särskilt ek, bok och MDF).

Efter användning

- ♦ När det inte används bör redskapet förvaras utom räckhåll för barn på en torr plats med god ventilation.
- ♦ Placera redskapet på ett ställe där barn inte kan komma åt det.
- ♦ När redskapet förvaras eller transporteras i en bil ska det placeras i bagageutrymmet eller spännas fast så att det inte rör sig vid plötsliga ändringar av hastighet eller riktning.

Kontroll och reparationer

- ♦ Kontrollera att redskapet är intakt och att det inte innehåller några skadade delar innan du använder det. Kontrollera att inga delar är trasiga och att inget annat föreligger som kan påverka redskapets funktion.
- ♦ Använd inte redskapet om någon del har skadats eller gått sönder.
- ♦ Låt en auktoriserad verkstad reparera eller byta ut skadade eller trasiga delar.
- ♦ Försök aldrig ta bort eller byta ut andra delar än de som anges i den här bruksanvisningen.

Ytterligare säkerhetsanvisningar för grästrimmer

Varning! Skärande delar fortsätter att rotera en kort stund efter att du har stängt av motorn.

- ♦ Bekanta dig med reglagen och ta reda på hur redskapet ska användas.
- ♦ Före användning kontrollerar du om elsladden och förlängningssladden visar tecken på skador, åldrande eller slitage. Om en sladd skadas när du använder redskapet kopplar du omedelbart bort sladden från elnätet. ROR INTE VID SLADDEN INNAN DU DRAGIT UT DEN UR UTTAGET.
- ♦ Använd inte redskapet om sladdarna är skadade eller utslitna.
- ♦ Bär kraftiga skor eller stövlar för att skydda dina fötter.
- ♦ Bär långbyxor för att skydda dina ben.

- Innan du använder redskapet ska du se till att det område som ska trimmas är fritt från grenar, stenar, ledningar och andra hinder.
- Använd endast redskapet i upprätt position med skärlinan nära marken. Slå aldrig på redskapets strömbrytare i något annat läge.
- Rör dig långsamt när du använder redskapet. Tänk på att nyklippt gräs är fuktigt och halt.
- Använd inte redskapet på branta sluttningar. Arbeta tvärs över sluttningar, inte upp och ner.
- Korsa inte grusgångar eller vägar medan redskapet är i drift.
- Vidrör aldrig skärlinan när redskapet används.
- Sätt inte ner redskapet förrän skärlinan har slutat rotera helt.
- Använd endast rätt sorts skärlina. Använd aldrig skärlina i metall eller fiskelina.
- Var noggrann med att aldrig röra vid skärbladet.
- Var noga med att hålla sladden borta från skärlinan. Håll hela tiden reda på var sladden befinner sig.
- Håll alltid händer och fötter borta från skärlinan, särskilt då motorn startas.
- Innan du använder redskapet, och efter alla sorters stötar, bör du undersöka den efter tecken på slitage eller skada och reparera på lämpligt vis.
- Använd inte redskapet med skadade skydd eller utan skydden på plats.

- Var försiktig så att du inte skadas av anordningar för justering av fiberlinans längd. Efter att ha dragit ut ny skärlina ska du alltid placera maskinen i normalt driftsläge innan den startas.
- Kontrollera alltid att ventilationsöppningarna hålls fria från skräp.
- Använd inte grästrimmern (kanttrimmern) om sladdarna är skadade eller utslitna.
- Håll förlängningssladdar borta från skärande delar.

Ytterligare säkerhetsinstruktioner för batterier och laddare

Batterier

- Försök aldrig att öppna batterierna.
- Utsätt inte batteriet för vatten.
- Förvara inte på platser där temperaturen kan bli högre än 40 °C.
- Ladda endast vid temperaturer mellan 10 °C och 40 °C.
- Ladda endast med hjälp av laddare som medföljer verktyget.
- Följ instruktionerna i avsnittet "Miljö" när du gör dig av med batterier.

Laddare

- Använd laddaren från BLACK+DECKER endast för att ladda batteriet i det verktyg som laddaren levererades med. Andra batterier kan spricka och orsaka personskador och andra skador.
- Försök aldrig ladda batterier som inte är uppladdningsbara.

- Byt defekta sladdar omgående.
- Utsätt inte laddaren för vatten.
- Öppna inte laddaren.
- Gör ingen åverkan på laddaren.



Laddaren är endast avsedd för användning inomhus.



Läs den här bruksanvisningen före användning.

Elsäkerhet



Eftersom laddaren är dubbelisolerad behövs ingen jordledare. Kontrollera alltid att nätspänningen överensstämmer med värdet på typskylten. Försök aldrig byta ut kontakten till laddaren mot en vanlig kontakt.

- Om nätsladden är skadad måste den bytas ut av tillverkaren eller en auktoriserad BLACK+DECKER-verkstad för att undvika farliga situationer.

Etiketter på redskapet

Följande varningssymboler finns på verktyget, tillsammans med datumkoden:



Läs bruksanvisningen innan du använder redskapet.



Bär alltid skyddsglasögon när du använder redskapet.



Bär lämpliga hörselskydd när du använder redskapet.



Dra alltid ur kontakten ur eluttaget innan du undersöker en skadad sladd. Använd aldrig trimmern om sladden är skadad.



Se upp för flygande föremål. Håll andra personer borta från trimmerns arbetsområde.



Låt inte redskapet komma i kontakt med regn eller hög luftfuktighet.



Garanterad ljudnivå enligt direktiv 2000/14/EG.

Funktioner

Det här redskapet har några eller samtliga av följande funktioner.

1. Strömbrytare
2. Handtag
3. Låsknapp
4. Batteri
5. Extrahandtag
6. Skydd
7. Spolhölje
8. Huvud
9. Power select (endast STC1820)
10. Kanthjul (endast STC1820 & STC1820D)
11. Kantguide (endast STC1815)

Montering

Varning! Se till att verktyget är avstängt och att batteriet har tagits ur.

Montera skyddet (fig. A&B)

- Ta bort skruven från skyddet.
- Håll skyddet (6) vinklat mot trimmerhuvudet (8) och skjut på det tills spärren som håller det på plats klickar fast (se till att styrskenorna (12) på skyddet (6) passas in mot styrskenorna (13) på trimmerhuvudet (8)).
- Fäst skyddet (6) med skruven (14).

Varning! Använd aldrig verktyget om inte skyddet är ordentligt monterat.

Sätta fast handtaget på redskapet (fig. C)

- Tryck in och håll ned båda knapparna (15) på handtagets sida.
- Skjut extrahandtaget (5) på plats över knapparna (15).

Varning! Se till att tändarna på knappen är rätt inpassade i handtagets öppningar samt att handtaget sitter fast ordentligt.

Justera extrahandtagets läge (fig. D)

Extrahandtaget (5) kan justeras för att ge optimal balans och komfort.

- Tryck in knappen (15) på handtagets vänstra sida.
- Roter extrahandtaget (5) till önskat läge.
- Släpp upp knappen (5).

Varning! Se till att tänderna på knappen är rätt inpassade i handtagets öppningar samt att handtaget sitter fast ordentligt.

Justera höjden på verktyget (fig. E)

Verktyget har ett teleskopskåft som gör att du kan justera det till komfortabel arbetshöjd. Det finns flera höjdställningar. Gör så här för att justera höjdställningen:

- ◆ Lossa justeringsringen (16) genom att vrida den medurs.
- ◆ Dra försiktigt röret (17) in eller ut ur handtaget (2) till önskad höjd.
- ◆ Fäst justeringsringen (16) genom att vrida den moturs.

Lossa skärlinan

Under transport är skärlinan fäst vid spohlöjet.

Varning! Ta ur batteriet innan du sätter ihop verktyget.

- ◆ Lossa på tejen över skärlinan på spohlöjet (7).

Montera och ta bort batteriet (fig. F)

- ◆ Sätt in batteriet (4) genom att placera det i linje med kontakten på verktyget. Skjut in batteriet på dess plats och tryck tills batteriet snäpper på plats.
- ◆ Ta ur batteriet genom att trycka på lösgörningsknappen (18) samtidigt som du drar ut batteriet från dess plats.

Användning

Varning! Låt redskapet arbeta i sin egen takt. Överbelasta inte verktyget.

Ladda batteriet (fig. G)

Batteriet måste laddas innan det används för första gången samt varje gång det inte ger tillräckligt hög effekt för arbeten som tidigare klarades av. Batteriet kan bli varmt när det laddas. Det är normalt och innebär inte att något är fel.

Varning! Ladda inte batteriet om lufttemperaturen är lägre än 10 °C eller högre än 40 °C. Rekommenderad laddningstemperatur: cirka 24 °C.

Obs! Laddaren laddar inte batteriet om celltemperaturen är lägre än ungefär 10 °C eller högre än 40 °C.

Batteriet får då sitta kvar i laddaren, som kommer att börja laddningen automatiskt när celltemperaturen har stigit eller sjunkit.

- ◆ Vid laddning tar du ut batteriet (4) ur verktyget och sätter det i laddaren (19). Batteriet kan bara placeras i laddaren på ett sätt. Använd inte våld. Se till att batteriet sitter ordentligt i laddaren.

- ◆ Anslut laddaren till vägguttaget.

Laddningsindikatorn (20) börjar blinka grönt (långsamt).

När batteriet är laddat lyser laddningsindikatorn (20) med ett fast grönt sken. Batteriet kan sitta kvar i laddaren och laddaren kan vara ansluten till vägguttaget hur länge som helst när indikatorn lyser. Indikatorn kommer emellanåt att börja blinka grönt (laddningsläge) eftersom laddaren då och då fyller på batteriets laddning. Laddningsindikatorn (20) lyser när batteriet sitter i laddaren och laddaren är ansluten till ett eluttag.

- ◆ Urladdade batterier bör laddas inom en vecka. Om batterierna inte laddas när de är urladdade försämrar batteritiden avsevärt.

Lämna batteriet i laddaren

Batteriet kan sitta kvar i laddaren och laddaren kan vara ansluten till vägguttaget hur länge som helst när indikatorn lyser. Laddaren ser till att batteriet hålls fräscht och fulladdat.

Laddardiagnostik

Om laddaren upptäcker ett svagt eller skadat batteri börjar laddningsindikatorn (20) att blinka rött snabbt. Gör så här:

- ◆ Sätt tillbaka batteriet (4).
- ◆ Om laddningsindikatorn fortsätter att blinka rött snabbt kan du använda ett annat batteri för att kontrollera om laddningsprocessen fungerar som den ska.
- ◆ Om det utbytta batteriet kan laddas utan problem är det gamla batteriet defekt och bör lämnas till ett servicecenter för återvinning.
- ◆ Om problemet kvarstår med det nya batteriet bör du ta med laddaren till ett auktoriserat servicecenter.

Obs! Det kan ta upp till 30 minuter att avgöra om batteriet är defekt. Om batteriet är för varmt eller för kallt blinkar indikatorn omväxlande rött snabbt och långsamt med en blinkning i varje hastighet.

Ställa in verktyget för trimning eller kantningsläge (fig. H,I,J,K)

Verktyget kan användas i trimningsläge enligt fig. H eller i kantningsläge när du behöver trimma gräs som hänger över gräsmattans kanter och rabatter enligt fig. I.

Trimningsläge (fig. E,H&J)

För trimning bör trimmerhuvudet vara i läget enligt fig. J. Om det inte är det:

- ◆ Ta ut batteriet ur verktyget.
- ◆ Lossa justeringsringen (16) genom att vrida den medurs.
- ◆ Medan du håller i handtaget (2) roterar du huvudet (8) medurs.
- ◆ Fäst ringen (16) genom att vrida den moturs.

Obs! Obs! Huvudet roterar bara i en riktning.

Kantningsläge (fig. E,I&K)

För kantning bör trimmerhuvudet vara i läget enligt fig. K. Om det inte är det:

- ◆ Ta ut batteriet ur verktyget.
- ◆ Lossa justeringsringen (16) genom att vrida den medurs.
- ◆ Medan du håller i handtaget (2) roterar du huvudet (8) moturs.
- ◆ Fäst ringen (16) genom att vrida den moturs.

Obs! Huvudet roterar bara i en riktning.

Starta och stänga av

- ◆ Starta verktyget genom att trycka och hålla ned låsknappen (3) och krama sedan strömbrytarhandtaget (1). Du kan släppa låsreglaget (3) när verktyget har startat.

- ◆ Stäng av redskapet genom att släppa upp handtaget.

Varning! Försök aldrig låsa strömbrytarhandtaget i påslaget läge.

Power select (endast STC1820)

Power boost-funktionen (9) finns på verktygshandtaget.

Den hjälper dig att optimera verktygets prestanda och öka hastigheten efter egna behov.

- ◆ Använd verktyget i "ECO"-läge för de flesta trimningar. (Längre driftstid uppnås.)
- ◆ Växla till TURBO-läge när du ska trimma långt, fuktigt eller jockt gräs.

Råd för optimal användning

Allmänt

- ◆ Resultatet blir bäst om gräset är torrt vid klipptillfället.

Trimning

- ◆ Håll redskapet enligt fig. J
- ◆ Pendla försiktigt med redskapet från sida till sida.
- ◆ När långt gräs ska trimmas, arbeta i etapper uppifrån och ned. Klipp lite åt gången.
- ◆ Undvik att gå nära hårda föremål och känsliga växter.
- ◆ Skärlinan slits fortare och kräver mer utmatning om trimningen sker långs stenläggningar eller andra sträva ytor eller om kraftiga växter trimmas.
- ◆ Om redskapet börjar gå långsamt, minska belastningen.

Kantning

Optimalt resultat uppnås på kanter som är högre än 50 mm.

- ◆ Använd inte verktyget för att skapa kanter. Använd en kantspade för att skapa kanter.
- ◆ Styr redskapet med hjulet (10) eller kantguiden (11) som bilden visar (fig. (K)).
- ◆ Om du vill ha kortare gräs lutar du verktyget lite.

Montera en ny spole med skärlina (fig. (L))

Spolar med skärlina finns att köpa hos din BLACK+DECKER-återförsäljare (katalognr A6481).

- ◆ Ta ut batteriet ur verktyget.
- ◆ Håll låsspärrarna (21) nedtryckta och ta bort spolkåpan (22) från spohljöljet (7).
- ◆ Ta bort den tomma spolen (23) från spohljöljet.
- ◆ Avlägsna smuts och gräs från spolkåpan och höljet.
- ◆ Ta den nya spolen och tryck fast den på centrumdelen i spohljöljet. Roter spolen lätt tills den sitter fast.
- ◆ Lossa änden för skärlinan och styr linan genom öppningen (24). Linan bör sticka ut ungefär 11 cm från spolkåpan.
- ◆ Placera låsspärrarna (21) på spolkåpan i linje med hålen (25) i spohljöljet.
- ◆ Tryck fast kåpan på spohljöljet tills den klickar på plats ordentligt.

Varning! Om skärlinorna sticker ut längre än skärbladet (26) klipper du av dem så att de bara når till bladet.

Linda på en ny skärlina på en tom spole (fig. M,N&O)

Du kan linda på en ny skärlina på en tom spole. Förpackningar med ny skärlina finns att köpa hos din BLACK+DECKER-återförsäljare (katalognr A6170 (25 m), A6171 (40 m)).

- ◆ Ta loss den tomma spolen enligt beskrivningen ovan.
- ◆ Ta bort eventuell kvarvarande skärlina från spolen.
- ◆ Mata in 2 cm skärlina i hålet (27) i spolen enligt bild (fig. .).
- ◆ Böj skärlinan och sätt fast den i den L-formade öppningen (28).

- ◆ Linda skärlinan på spolen i pilens riktning. Var noga med att linda på linan slätt och i lager. Linda inte i sicksack (fig. O).
- ◆ När den utdragna skärlinan når fördjupningarna (29) klipper du av linan. Låt linan sticka ut runt 11 cm från spolen och håll ett finger på linan för att hålla den på plats (fig N).
- ◆ Fortsätt som tidigare beskrivet för att fästa spolen på redskapet.

Varning! Använd endast rätt sorts skärlina från BLACK+DECKER.

Felsökning

Om produkten inte fungerar som den ska följer du instruktionerna nedan. Om det inte löser problemet kontaktar du närmaste BLACK+DECKER-verkstad.

Varning! Dra ur kontakten till redskapet innan du fortsätter.

Trimmern går långsamt

- ◆ Kontrollera att spohljöljet kan rotera fritt. Rengör det med försiktighet om nödvändigt.
- ◆ Kontrollera att skärlinan inte sticker ut mer än 11 cm från spohljöljet. Om den gör det skär du av den så att den bara når till skärbladet.

Om den automatiska linmataren inte fungerar

- ◆ Håll låsspärrarna nedtryckta och avlägsna spolkåpan från höljet.
- ◆ Dra ut skärlinan tills den sticker ut 11 cm från höljet. Om spolen inte innehåller tillräckligt lång lina, installera en ny spole skärlina enligt ovanstående instruktioner.
- ◆ Placera låsspärrarna på spolkåpan i linje med hålen i höljet.
- ◆ Tryck fast kåpan på höljet tills den klickar på plats ordentligt.
- ◆ Om skärlinan sticker ut längre än skärbladet klipper du av den så att den bara når till bladet.

Om den automatiska linmataren fortfarande inte fungerar eller spolen sitter fast, prova följande:

- ◆ Rengör spolkåpan och höljet noggrant.
- ◆ Avlägsna spolen och kontrollera att spaken kan röra sig fritt.
- ◆ Ta loss spolen och linda upp skärlinan. Linda sedan på den ordentligt igen som beskrivet ovan. Ersätt spolen enligt instruktionerna.

Underhåll

Det här BLACK+DECKER-redskapet (med eller utan sladd) är konstruerat för att fungera under lång tid med minsta möjliga underhåll. Med rätt underhåll och regelbunden rengöring behåller verktyget/redskapet sin kapacitet. Laddaren behöver inget annat underhåll än regelbunden rengöring.

Varning! Innan något underhåll utförs på elektriska redskap med eller utan sladd:

- ◆ Stäng av redskapet/verktyget och dra ur nätkontakten.
- ◆ Du kan också ta ut batteriet ur redskapet om redskapet har ett separat batteri.

- ◆ Om batteriet är inbyggt låter du det laddas ur helt innan avstängningen.
- ◆ Dra ur sladden till laddaren innan du rengör den. Laddaren behöver inget annat underhåll än regelbunden rengöring.
- ◆ Rengör regelbundet redskapets/verktygets/laddarens luftintag med en mjuk borste eller torr trasa.
- ◆ Rengör motorkåpan regelbundet med en fuktig trasa. Använd aldrig rengöringsmedel med lösnings- eller slipmedel.
- ◆ Rengör regelbundet skärlinan och spolen med en mjuk borste eller torr trasa.
- ◆ Ta med jämna mellanrum bort gräs och smuts från skyddets undersida med en slö skrapa.

Tekniska data

		STC1815 STC1820D H 2	STC1820 H 2
Spänning	V_{cc}	18	18
Tomgångshastighet	min ⁻¹	6200	5500-7400
Vikt	kg	2,6	2,6

Skydda miljön



Separat insamling. Produkten får inte kastas i hushållssoporna.

Tänk på miljön när du slänger denna BLACK+DECKER-produkt. Släng den inte tillsammans med hushållsavfallet. Lämnar produkten för separat insamling.



Insamling av uttjänta produkter och förpackningsmaterial gör att material kan återanvändas. Användning av återvunnet material minskar föroreningar av miljön och behovet av råmaterial.

Lokala föreskrifter kan kräva separat insamling av elprodukter från hushållen, vid kommunala samlingsplatser eller hos återförsäljaren när du köper en ny produkt.

BLACK+DECKER samlar in och återvinner uttjänta BLACK+DECKER-produkter. Om du vill utnyttja denna tjänst återlämnar du produkten till en auktoriserad verkstad, som samlar in den för vår räkning.

För information om närmaste auktoriserade verkstad, kontakta det lokala BLACK+DECKER-kontoret på den adress som är angiven i bruksanvisningen. En lista över alla auktoriserade BLACK+DECKER-verkstäder samt fullständiga servicevillkor och kontaktuppgifter finns på Internet: www.2helpU.com

Batterier



Kassera batterierna på ett miljövänligt sätt när de är förbrukade:

- ◆ Låt batteriet laddas ur helt och ta sedan ut det ur verktyget.
- ◆ Batterier av typerna nickelkadmium (NiCd), nickelmetallhydrid (NiMH) och litiumjon kan återvinnas. Packa in batterierna så att polerna inte kan kortslutas. Ta med dem till en auktoriserad verkstad eller en återvinningsstation.
- ◆ Undvik att kortsluta batteripolerna.
- ◆ Bränn aldrig batterier eftersom det kan leda till personskador eller orsaka en explosion.

Batteri		BL1118	BL1318	BL1518	BL2018	BL4018
Spänning	V_{cc}	18	18	18	18	18
Kapacitet	Ah	1.0	1.3	1.5	2.0	4.0
Typ		Li-Ion	Li-Ion	Li-Ion	Li-Ion	Li-Ion

Laddare		905902** (typ. 1)
Spänning	V_{cc}	100 - 240
Utspänning	V_{cc}	8 - 20
Strömstyrka	mA	400

Det vägda geometriska medelvärdet av vibrationsfrekvensen enligt EN 786:

= 9.0 m/s, osäkerhet (K) = 1.5 m/s.

L_{w} (ljudnivå) 76 dB(A)

osäkerhet (K) = 1.6 dB(A)

EG-deklaration om överensstämmelse**MASKINDIREKTIV****BULLERFÖRESKRIFTER, UTOMHUS****STC1815/STC1820/STC1820D trimmer**

Black & Decker garanterar att produkterna som beskrivs under "Tekniska data" uppfyller:
2006/42/EG, EN 60335-1:2012+A11:2014,
EN 60335-2-91:2014

2000/14/EG, Grästrimmer, L ≤ 50 cm, Annex VIII
DEKRA Certification B.V., Utrechtseweg 310,
6802 ED Arnhem, Nederländerna
Anmält organ, ID-nr: 0344

Den akustiska effekten enligt 2000/14/EG (Artikel 12, Annex III, L ≤ 50 cm):

L_m (uppmätt ljudnivå) 90 dB(A)
osäkerhet (K) = 1.6 dB(A)
 L_m (garanterad ljudnivå) 92 dB(A)

De här produkterna överensstämmer även med direktiven 2014/30/EU och 2011/65/EU.

Mer information får du genom att titta i slutet av bruksanvisningen eller genom att kontakta Black & Decker på följande adress.

Undertecknad är ansvarig för sammanställningen av tekniska data och gör denna försäkran för Black & Decker.

R. Laverick
Engineering Director
Black & Decker Europe, 210 Bath Road, Slough,
Berkshire, SL1 3YD
United Kingdom
06/12/2016

Garanti

Black & Decker garanterar att produkten är fri från material- och/eller fabriktionsfel vid leverans till kund. Garantin gäller utöver konsumentens rättigheter enligt lag och påverkar inte dessa. Garantin gäller inom medlemsstaterna i Europeiska Unionen och i det Europeiska Frihandelsområdet.

Om en Black & Decker-produkt går sönder på grund av material- och/eller fabriktionsfel eller brister i överensstämmelse med specifikationen, inom 24 månader från köpet, åtar sig Black & Decker att reparera eller byta ut produkten med minsta besvär för kunden, förutom om:

- ◆ Produkten har använts i kommersiellt eller yrkesmässigt syfte eller i uthyringssyfte.
- ◆ Produkten har utsatts för felaktig användning eller skötsel.
- ◆ Produkten har skadats av främmande föremål, ämnen eller genom olyckshändelse.
- ◆ Reparation har utförts av någon annan än en auktoriserad Black & Decker-verkstad.

Vid garantianspråk ska produkten och inköpskvittot lämnas till återförsäljaren eller till en auktoriserad verkstad. För information om närmaste auktoriserade verkstad, kontakta det lokala Black & Decker-kontoret på den adress som är angiven i bruksanvisningen. En lista över alla auktoriserade Black & Decker-verkstäder samt fullständiga servicevillkor och kontaktuppgifter finns på Internet: www.2helpU.com

Besök vår webbplats www.blackanddecker.se för att registrera din nya BLACK+DECKER-produkt samt för att få information om nya produkter och specialerbjudanden. Vidare information om märket BLACK+DECKER och vårt produktsortiment återfinns på www.blackanddecker.se

Glöm inte att registrera din produkt!

www.blackanddecker.se/productregistration Registrera din produkt online på www.blackanddecker.se/productregistration eller skicka in för- och efternamn och produktkod till BLACK+DECKER i ditt land.

Bruksområde

BLACK+DECKER-trimmeren STC1815, STC1820, STC1820D er konstruert for å trimme og pynte plenkanter og slå gress på trange steder. Verktøyet er beregnet bare som konsumentverktøy.

Sikkerhetsinstruksjoner

Advarsel! Når du bruker apparater som drives med strøm fra nettet, må grunnleggende sikkerhetsforholdsregler (inkludert punktene som er beskrevet nedenfor) alltid følges for å redusere risikoen for brann, elektrisk støt, personskade og skade på materiell.

Advarsel! Når du bruker maskinen, må du følge sikkerhetsreglene. Les disse instruksjonene før du bruker maskinen, for å ivareta sikkerheten for deg selv og personer i nærheten. Ta vare på instruksjonene for senere bruk.

- ♦ Les hele denne håndboken nøye før du bruker apparatet.
- ♦ Beregnet bruk er beskrevet i denne håndboken. Hvis du bruker annet tilbehør, kobler til annet utstyr eller bruker dette produktet til andre oppgaver enn det som er anbefalt i denne håndboken, kan det føre til fare for personskade.
- ♦ Ta vare på denne håndboken for fremtidig bruk.

Bruke verktøyet

Vær alltid forsiktig når du bruker verktøyet.

- ♦ Bruk alltid vernebriller.
- ♦ La aldri barn eller personer som ikke kjenner instruksjonene, bruke apparatet.

- ♦ Pass på at barn og dyr ikke kommer i nærheten av arbeidsområdet eller kommer i berøring med apparatet eller strømledningen.
- ♦ Pass godt på, og vær forsiktig når apparatet brukes i nærheten av barn.
- ♦ Det er ikke meningen at dette apparatet skal brukes av unge eller svakelige personer uten tilsyn.
- ♦ Dette verktøyet skal ikke brukes som leketøy.
- ♦ Bruk apparatet bare i dagslys eller god kunstig belysning.
- ♦ Brukes bare i tørre omgivelser. Ikke la apparatet bli vått.
- ♦ Ikke senk apparatet ned i vann.
- ♦ Ikke åpne huset til verktøyet. Det er ingen deler inni som brukere skal håndtere.
- ♦ Ikke arbeid med apparatet i eksplosjonsfarlige omgivelser, for eksempel på steder der det finnes brennbare væsker, gasser eller støv.
- ♦ Dra aldri i kablet når du skal ta støpselet ut av stikkontakten. Dermed reduserer du risikoen for skade på støpsel og kabel.

Andre personers sikkerhet

- ♦ Dette apparatet er ikke beregnet på å brukes av personer (inkludert barn) med reduserte fysiske, sansemessige eller mentale evner, eller som mangler erfaring og kunnskap, med mindre de har fått oppfølging eller instruksjon om bruken av apparatet av en person som er ansvarlig for deres sikkerhet.

- Hold barn under oppsyn for å passe på at de ikke leker med apparatet.

Andre risikoer

Ved bruk av produktet kan det oppstå ytterligere risikoer som kanskje ikke er inkludert i sikkerhetsadvarslene som følger med. Disse risikoene kan bli forårsaket av feil bruk, langvarig bruk osv.

Selv om de relevante sikkerhetsbestemmelsene blir fulgt, og sikkerhetstiltakene blir gjennomført, kan visse gjenværende risikoer ikke unngås. Disse omfatter:

- Personskader som forårsakes av berøring av en roterende/bevegelig del.
- Personskader som forårsakes av at en del, et blad eller tilbehør endres.
- Personskader som forårsakes av langvarig bruk av et verktøy. Når du bruker et verktøy i lange perioder, må du sørge for å ta regelmessige pauser.
- Svekket hørsel.
- Helsefarer som forårsakes av innånding av støv som dannes når du bruker apparatet (for eksempel i arbeid med tre, spesielt eik, bøk og MDF).

Etter bruk

- Når produktet ikke er i bruk, skal det oppbevares på et tørt og godt ventilert sted utilgjengelig for barn.
- Oppbevar apparatet utilgjengelig for barn.

- Når produktet oppbevares eller transporteres i et kjøretøy, bør det plasseres i bagasjerommet eller festes, slik at det ikke påvirkes av raske farts- eller retningsendringer.

Kontroll og reparasjon

- Kontroller at apparatet ikke er skadet eller har defekte deler før du bruker det. Kontroller om noen av delene er skadet, eller om det er andre forhold som kan påvirke bruken.
- Ikke bruk apparatet hvis noen del er skadet eller defekt.
- Overlat reparasjon eller utskifting av skadde eller defekte deler til et autorisert serviceverksted.
- Forsøk aldri å fjerne eller bytte ut andre deler enn de som er oppgitt i denne håndboken.

Ytterligere sikkerhetsinstruksjoner gresstrimmere

Advarsel! Skjæreelementene vil fortsette å rotere etter at motoren er slått av.

- Gjør deg kjent med hvordan man betjener og bruker apparatet på riktig måte.
- Før bruk må du kontrollere strømledning og skjøteledning for tegn på skade, aldring og slitasje. Hvis en ledning blir skadet under bruk, må du øyeblikkelig koble produktet fra strømmettet. **IKKE TA PÅ STRØMLEDNINGEN FØR DEN ER KOBLET FRA STIKKONTAKTEN.**
- Ikke bruk apparatet hvis ledninger er skadet eller slitte.

- Bruk solide sko eller støvler for å beskytte føttene.
- Bruk lange bukser for å beskytte bena.
- Før du bruker verktøyet, må du kontrollere at det ikke er pinner, steiner, tråd eller andre gjenstander i skjærebåndet.
- Bruk apparatet bare i opprett stilling med skjærelinjen nær bakken. Ikke slå verktøyet på i noen annen stilling.
- Beveg deg sakte når du bruker verktøyet. Husk at nyklipt gress er fuktig og glatt.
- Ikke arbeid i bratte skråninger. Arbeid på langs av skråninger, ikke opp og ned.
- Kryss aldri stier med grus mens verktøyet går.
- Berør aldri skjæretråden mens verktøyet er i gang.
- Ikke sett verktøyet ned før skjæretråden har stanset helt.
- Bruk bare riktig type skjæretråd. Bruk aldri skjæretråd av metall eller fiskesnøre.
- Pass på at du ikke berører trådtrimmebladet.
- Pass på å holde strømledningen unna skjæretråden. Vær alltid oppmerksom på hvor ledningen er.
- Hold alltid hender og føtter borte fra skjæretråden, særlig når du slår på motoren.
- Før du bruker verktøyet, og etter et støt, må du undersøke om det er tegn på slitasje eller skade og få verktøyet reparert etter behov.
- Bruk aldri verktøyet med skadet vern eller uten vern på plass.
- Vær varsom så du unngår personskade på grunn av utstyr som er montert for å trimme lengden på filamenttråden. Når ny skjæretråd er matet ut, må du alltid sette verktøyet tilbake i normal bruksstilling før du slår det på.
- Pass alltid på at ventilasjonsåpningene er fri for rusk.
- Ikke bruk plentrimmeren (kanttrimmeren) hvis ledningene er skadet eller slitt.
- Hold skjøteledninger unna skjæreelementer.

Ytterligere sikkerhetsinstruksjoner for batterier og ladere

Batterier

- Forsøk ikke å åpne uansett hvilket formål du måtte ha.
- Ikke utsett batteriet for vann.
- Ikke oppbevar det på steder hvor temperaturen kan komme over 40 °C.
- Lad bare ved temperaturer mellom 10 og 40 °C.
- Bruk bare laderen som følger med apparatet.
- Følg instruksjonene i avsnittet «Miljøvern» når du skal kaste batterier.

Ladere

- Bruk bare BLACK+DECKER-ladere til å lade batteriet i apparatet som laderen ble levert sammen med. Andre batterier kan sprekke og føre til personskade og materiell skade.
- Prøv aldri å lade ikke-oppladbare batterier.
- Skift ut defekte ledninger umiddelbart.
- Ikke utsett laderen for vann.
- Ikke åpne laderen.
- Ikke stikk gjenstander eller fingre inn i laderen.



Ladere er bare beregnet for bruk innendørs.



Les denne håndboken før bruk.

Elektrisk sikkerhet



Denne laderen er dobbeltisolert. Jording er derfor ikke nødvendig. Kontroller alltid at nettspenningen er i overensstemmelse med spenningen på typeskiltet. Prøv aldri å skifte ut laderen med et vanlig nettstøpsel.

- Hvis strømledningen blir skadet, må den byttes av produsenten eller et autorisert BLACK+DECKER-service-senter for å unngå fare.

Produktmerking

Følgende advarselssymboler vises på verktøyet sammen med datokoden:



Les håndboken før bruk.



Benytt vernebriller når du bruker dette produktet.



Benytt passende hørselvern når du bruker dette produktet.



Trekk alltid støpselet ut av kontakten før du inspisierer en ødelagt ledning. Bruk aldri trimmeren hvis ledningen er skadet.



Vær oppmerksom på flygende gjenstander. Hold personer i nærheten borte fra skjærområdet.



Ikke utsett apparatet for regn eller høy fuktighet.



Garantert lydeffekt i henhold til direktiv 2000/14/EF.

Funksjoner

Dette apparatet har noen av eller alle funksjonene nedenfor:

1. Av/på-bryter
2. Håndtak
3. Låsebryter
4. Batteri
5. Ekstrahåndtak
6. Vern
7. Spolehus
8. Hode
9. Strømvalg (bare STC1820)
10. Kanthjul (bare STC1820 & STC1820D)
11. Kantskinne (bare STC1815)

Montering

Advarsel! Før monteringen må du passe på at apparatet er slått av, og at batteriet er tatt ut.

Montere vern (figur A&B)

- Fjern skruen fra vernet.
- Hold vernet (6) vinkelrett på trimmerhodet (8) og skyv det på plass til låseklaffen klikker på plass (sørg for at styreskinnene (12) på vernet (6) er riktig plassert i forhold til styreskinnene (13) på trimmerhodet (8), figur (A)).
- Fest vernet (6) med skruen (14).

Advarsel! Bruk aldri apparatet uten riktig montert vern.

Feste ekstrahåndtaket (figur C)

- Trykk inn og hold på knappene (15) på siden av håndtaket.

◆ Skyv ekstrahåndtaket (5) på plass over knappene (15).
Advarsel! Pass på at tennene på knappen sitter riktig i sporene på håndtaket, og at håndtaket sitter godt fast.

Justere stillingen på ekstrahåndtaket (figur D)

Ekstrahåndtaket (5) kan justeres for å gi best mulig balanse og komfort.

- ◆ Trykk inn knappen (15) på venstre side av håndtaket.
- ◆ Vri ekstrahåndtaket (5) til riktig posisjon.
- ◆ Slipp knappen (15)..

Advarsel! Pass på at tennene på knappen sitter riktig i sporene på håndtaket, og at håndtaket sitter godt fast.

Justere høyden på apparatet (figur E)

Dette apparatet har en teleskopmekanisme, slik at du kan stille inn en komfortabel høyde. Det er flere høydeinnstillinger. Slik stiller du inn høyden:

- ◆ Løsne justeringskragen (16) ved å dreie den med klokken.
- ◆ Skyv eller trekk røret (17) forsiktig inn i eller ut av håndtaket (2) til ønsket høyde.
- ◆ Stram justeringskragen (16) ved å dreie den mot klokken.

Løsne skjæretråden

Under transport er skjæretråden festet til spolehuset med tape.

Advarsel! Fjern batteriet fra verktøyet før montering.

- ◆ Fjern tapen som fester skjæretråden til spolehuset (7)..

Sette inn og ta ut batteriet (figur F)

- ◆ Når du skal sette inn batteriet (4), plasserer du det på linje med kontakten på apparatet. Skyv batteriet inn i kontakten til det klikker på plass.
- ◆ Når du skal ta ut batteriet (4), trykker du på utløserknappen (16) samtidig som du trekker batteriet ut av kontakten.

Bruk

Advarsel! La apparatet arbeide i sin egen hastighet. Ikke overbelast det.

Lading av batteriet (figur G)

Batteriet må lades før første bruk og hver gang det ikke lenger gir nok strøm til jobber som tidligere lett ble utført. Batteriet kan bli varmt under lading. Dette er normalt og innebærer ikke feil.

Advarsel! Ikke lad batteriet hvis temperaturen i omgivelsene er under 10 °C eller over 40 °C. Anbefalt ladetemperatur: ca. 24 °C.

Merknad: Laderen vil ikke lade et batteri hvis celletemperaturen er under ca. 10 °C eller over 40 °C.

Du bør la batteriet stå i laderen; laderen begynner å lade automatisk når celletemperaturen blir høyere eller lavere.

- ◆ Når du skal lade batteriet (4), tar du det ut av apparatet og setter det inn i laderen (19). Batteriet kan bare settes i laderen på én måte. Ikke bruk makt. Pass på at batteriet sitter helt inne i laderen.
- ◆ Koble til laderen og slå på ved å koble til nettstrøm.

Ladningsindikatoren (20) blinker grønt kontinuerlig (langsomt). Ladingen er fullført når ladeindikatoren (20) lyser grønt kontinuerlig. Laderen og batteriet kan være tilkoblet så lenge

du vil mens lampen lyser. Lampen begynner å blinke grønt (lader) når laderen av og til «fyller på» batteriladingen. Ladeindikatoren (20) lyser så lenge batteriet er tilkoblet laderen, og denne er koblet til nettstrømmen.

- ◆ Lad utladete batterier innen 1 uke. Batterienes levetid vil bli mye mindre hvis de oppbevares utladet.

Batteriet er i laderen

Laderen og batteripakken kan forbli tilkoblet med lysende LED i ubegrenset tid. Laderen vil holde batteripakken klar og fulladet.

Laderdiagnose

Hvis laderen oppdager et svakt eller skadet batteri, blinker ladeindikatoren (20) rødt med rask takt. Du går frem slik:

- ◆ Sett inn batteriet (4) på nytt.
- ◆ Hvis ladeindikatoren fortsetter å blinke rødt med rask takt, må du bruke et annet batteri til å finne ut om ladeprosessen fungerer som den skal.
- ◆ Hvis den nye batteripakken lades korrekt, er den opprinnelige batteripakken defekt og bør leveres til et service-senter for resirkulering.
- ◆ Hvis det nye batteriet gir samme indikasjon som det opprinnelige batteriet, bringer du laderen til et autorisert service-senter.

Merknad: Det kan ta så mye som 30 minutter å avgjøre om batteriet er defekt. Hvis batteriet blir for varmt eller for kaldt, vil den lampen blinke rødt vekselvis raskt og langsamt, ett blink ved hver hastighet og så gjenta dette.

Sette apparatet i trimme- eller kantskjæringsmodus (figur H,I,J&K)

Apparatet kan brukes i trimmemodus, som vist i figur H, eller i kantskjæringsmodus for å beskjære gress som henger over kanten av en plen eller et blomsterbed, som vist i figur I.

Trimmemodus (figur E,H&J)

Ved trimming skal trimmehodet være i den stillingen som er vist i figur J. Hvis ikke:

- ◆ Fjern batteriet fra apparatet.
- ◆ Løsne justeringskragen (16) ved å dreie den med klokken.
- ◆ Hold i håndtaket (2), og drei hodet (8) med klokken.
- ◆ Stram kragen (16) ved å dreie den mot klokken.

Merk: Merk: Hodet roterer bare i én retning.

Kantmodus (figur E,I&K)

Ved kantsklipping skal trimmehodet være i den stillingen som er vist i figur K. Hvis ikke:

- ◆ Fjern batteriet fra apparatet.
- ◆ Løsne justeringskragen (16) ved å dreie den med klokken.
- ◆ Hold i håndtaket (8), og drei du hodet (8) mot klokken.
- ◆ Stram kragen (16) ved å dreie den mot klokken.

Merk: Hodet roterer bare i én retning.

Slå på og av

- ◆ Når du skal slå på apparatet, må du trykke og holde på låseknappen (3) og deretter trykke på utløseren (1). Når apparatet er i gang, kan du slippe låseknappen (3).

- ◆ Slipp utløseren for å slå av apparatet.
- Advarsel!** Ikke prøv å låse utløseren i på-stilling.

Strømvalg (bare STC1820)

Funksjonen for ekstra kraft (9) er knyttet til håndtaket på apparatet. Med denne kan du optimere verktøyteltens og få mer kraft når det trengs.

- ◆ Bruk "ECO" ved de fleste typer trimming. (Du får lengre driftstid uten lading.)
- ◆ Bytt til "TURBO"-modus når det trengs til høyt, fuktig eller tykt gress.

Råd for optimal bruk

Generelt

- ◆ Klipp bare tørt gress for best mulig resultat.

Trimming

- ◆ Hold apparatet som vist i figur J.
- ◆ Sving trimmeren rolig fra side til side.
- ◆ Når du klipper langt gress, må du arbeide i trinn fra toppen. Kutt litt av gangen.
- ◆ Hold verktøyet unna harde gjenstander og sårbare planter.
- ◆ Skjæretråden slites fortere og trenger påfyll hvis du klipper langs fortau eller andre slipende overflater eller kutter kraftig ugress.
- ◆ Hvis verktøyet begynner å gå langsomt, reduserer du belastningen langsomt.

Kantskjæring

Du oppnår best mulig resultat på kanter som er dypere enn 50 mm.

- ◆ Ikke bruk verktøyet til å lage kanter. Bruk en kantspade til å lage kanter.
- ◆ Før apparatet på hjulene (10) eller kantskinnen (11) som vist i figur K.
- ◆ Hold apparatet litt på skrå for å skjære tettere.

Montere en ny spole med skjæretråd (figur L)

Ekstra spoler med skjæretråd får du hos din BLACK+DECKER-forhandler (artikkelnummer A6481).

- ◆ Fjern batteriet fra apparatet.
- ◆ Hold tappene (21) inne, og ta spoledekslet (22) av spolehuset (7).
- ◆ Ta den tomme spolen (23) ut av spolehuset.
- ◆ Fjern eventuelt smuss og gress fra spoledekslet og -huset.
- ◆ Trykk den nye spolen inn på tappen i spolehuset. Drei litt på spolen til den sitter på plass.
- ◆ Løsne enden til en av skjæretråden, og før tråden inn i hullet (24). Tråden skal stikke frem ca. 11 cm fra spoledekslet.
- ◆ Plasser tappene (21) på spoledekslet i forhold til hullene (25) i spolehuset.
- ◆ Skyv dekslet tilbake på spolehuset til det klikker på plass.

Advarsel! Hvis skjæretråden rekker utenfor trimmebladet (26), kutter du dem av så de akkurat når bladet.

Snurre en ny skjæretråd på en tom spole (figur

M,N&O)

Du kan snurre en ny skjæretråd på en tom spole. Ekstra pakker med skjæretråd får du hos din BLACK+DECKER-forhandler (artikkelnummer A6170 (25 m), A6171 (40 m)).

- ◆ Ta ut den tomme spolen fra verktøyet som beskrevet ovenfor.
- ◆ Fjern eventuell gjenværende skjæretråd fra spolen.
- ◆ Før 2 cm skjæretråd inn i hullet (27) i spolen som vist (figur M).
- ◆ Bøy skjæretråden, og fest den i det L-formede sporet (28).
- ◆ Snurr skjæretråden på spolen i pilens retning. Pass på å snurre på tråden ordentlig og i lag. Ikke la tråden gå i kryss (figur O).
- ◆ Når oppsnurrede skjæretråden når fordypningene (29), kutter du tråden. La tråden stikke ut ca. 11 cm fra spolen, og hold tråden på plass med en finger (figur N).
- ◆ Fortsett som beskrevet ovenfor for å feste spolen på apparatet.

Advarsel! Bruk bare riktig type skjæretråd fra BLACK+DECKER.

Problemløsning

Hvis det ikke virker som verktøyet fungerer riktig, følger du instruksjonene nedenfor. Hvis problemet ikke løses, kontakter du ditt lokale BLACK+DECKER-serviceverksted.

Advarsel! Koble verktøyet fra strømmen før du fortsetter.

Verktøyet går langsomt

- ◆ Kontroller at spolehuset kan dreies fritt. Rengjør det omhyggelig etter behov.
- ◆ Kontroller at skjæretråden ikke stikker ut mer enn 11 cm fra spolehuset. Hvis den gjør det, kutter du den av slik at den akkurat når trimmebladet for tråden.

Automatisk mating av tråd virker ikke

- ◆ Hold tappene inne, og ta spoledekslet av huset.
- ◆ Trekk i skjæretråden til den stikker ut 11 cm fra spolehuset. Hvis det ikke er nok tråd igjen på spolen, monterer du en ny spole med skjæretråd som forklart ovenfor.
- ◆ Plasser tappene på spoledekslet i forhold til hullene i huset.
- ◆ Skyv dekslet på huset til det klikker på plass.
- ◆ Hvis skjæretråden rekker lenger enn trimmebladet, kutter du den av, så den når bladet akkurat.

Hvis den automatiske matingen av tråd fremdeles ikke virker, eller hvis spolen sitter fast, kan du prøve følgende forslag:

- ◆ Rengjør spoledekslet og -huset godt.
- ◆ Ta ut spolen, og kontroller at hendelen kan bevege seg fritt.
- ◆ Ta ut spolen, og rull ut skjæretråden. Snurr den på ordentlig igjen, som beskrevet ovenfor. Sett spolen på plass igjen som forklart.

Vedlikehold

Det nettdrevne/batteridrevne BLACK+DECKER-apparatet/verktøyet er konstruert for å være i drift over lengre tid med et minimum av vedlikehold. Verktøyet/apparatet er avhengig av riktig stell og regelmessig rengjøring for å fungere som det skal til enhver tid.

Laderen krever ikke annet vedlikehold enn regelmessig rengjøring.

Advarsel! Før du utfører vedlikehold på nettdrevet/batteridrevet elektroværktøy:

- ◆ Slå av apparatet/verktøyet og trekk ut støpselet.
- ◆ Eller slå av apparatet/verktøyet og fjern batteriet fra dette hvis apparatet/verktøyet har separat batteripakke.
- ◆ Eller la batteriet gå helt tomt hvis det er innebygd, og slå deretter av.
- ◆ Fjern laderen fra stikkkontakten før du rengjør den. Laderen krever ikke annet vedlikehold enn regelmessig rengjøring.
- ◆ Rengjør ventilasjonsåpningene i verktøy/apparat og lader jevnlig med en myk børste eller tørr klut.
- ◆ Rengjør motorhuset regelmessig med en fuktig klut. Ikke bruk slipende eller løsemiddelbaserte rengjøringsmidler.
- ◆ Rengjør skjæretråden og spolehuset regelmessig med en myk børste eller en tørr klut.
- ◆ Bruk et butt skraperedskap regelmessig for å fjerne gress og jord fra undersiden av vernet.

Miljø



Separat avfallshåndtering. Dette produktet må ikke kastes sammen med vanlig husholdningsavfall.

Hvis du synes BLACK+DECKER-produktet bør skiftes ut, eller du ikke har bruk for det lenger, må du ikke kaste det sammen med husholdningsavfall. Sørg for separat avfallshåndtering for dette produktet.



Hvis brukte produkter og emballasje leveres atskilt, kan materialer resirkuleres og brukes på nytt. Gjenbruk av resirkulerte materialer bidrar til redusert miljøforurensning og reduserer behovet for råmaterialer.

Det kan være lokale bestemmelser for separat avfallshåndtering for elektriske produkter fra husstander på kommunale avfallsplasser eller hos forhandleren, når du kjøper et nytt produkt.

BLACK+DECKER har en ordning for innsamling og resirkulering av BLACK+DECKER-produkter som ikke skal brukes lenger. Du kan benytte denne tjenesten ved å levere produktet til et hvilket som helst autorisert serviceverksted.

Du kan finne ut hvor nærmeste autoriserte serviceverksted er, ved å kontakte din lokale BLACK+DECKER-avdeling på adressen som er oppgitt i denne håndboken. En oversikt over autoriserte BLACK+DECKER-serviceverksteder og alle opplysninger om ettersalgsservice og kontakter er også tilgjengelig på Internett: www.2helpU.com

Batterier



Tenk på miljøet når batteriene er tomme og du skal kaste dem.

- ◆ La batteriet gå helt tomt og fjern det så fra verktøyet.
- ◆ NiCd-, NiMH- og litiumionbatterier kan gjenvinnes. Legg batteriet i egnet emballasje for å sikre at terminalene ikke kortslutter. Ta dem med til et autorisert serviceverksted eller til en lokal spesialavfallsstasjon.
- ◆ Ikke kortslutt batteriterminalene.
- ◆ Ikke kast batterier rett på ilden. Det kan føre til personskader eller en eksplosjon.

Tekniske data

		STC1815 STC1820D H 2	STC1820 H 2
Inngangsspennning	V _{ac}	18	18
Hastighet ubelastet	min ⁻¹	6200	5500-7400
Vekt	kg	2,6	2,6

Batteri		BL1118	BL1318	BL1518	BL2018	BL4018
Spennning	V _{ac}	18	18	18	18	18
Kapasitet	Ah	1.0	1.3	1.5	2.0	4.0
Type		Li-ion	Li-ion	Li-ion	Li-ion	Li-ion

Lader		905902** (type 1)
Inngangsspennning	V _{ac}	100 - 240
Utgangsspennning	V _{ac}	8 - 20
Strøm	mA	400

Den veide geometriske middelverdien av vibrasjonsfrekvensen ifølge EN 786:

$$= 9.0 \text{ m/s}, \text{ usikkerhet (K) = } 1.5 \text{ m/s}.$$

L_{in} (lydtrykk) 76 dB(A)

usikkerhet (K) = 1.6 dB(A)

EF-samsvarserklæring

MASKINDIREKTIV

DIREKTIV FOR UTENDØRSSTØY



STC1815/STC1820/STC1820D trimmeren

Black & Decker erklærer at de produktene som er beskrevet under «Tekniske data», er i samsvar med: 2006/42/EF, EN 60335-1:2012+A11:2014, EN 60335-2-91:2014

2000/14/EF, plentrimmer, $L \leq 50$ cm, vedlegg VIII
DEKRA Certification B.V., Utrechtseweg 310,
6802 ED Arnhem, Nederland
ID-nummer for varslet organ: 0344

Nivå for akustisk effekt i henhold til 2000/14/EF (artikkel 12, vedlegg III, $L \leq 50$ cm):

L_{m} (målt lydeffekt) 90 dB(A)
usikkerhet (K) = 1,6 dB(A)
 L_{m} (garantert lydeffekt) 92 dB(A)

Disse produktene er også i samsvar med direktiv 2014/30/EU og 2011/65/EU.

Hvis du ønsker mer informasjon, kontakt Black & Decker på følgende adresse, eller se på baksiden av bruksanvisningen. Undertegnede er ansvarlig for utarbeidelsen av den tekniske dokumentasjonen og gir denne erklæringen på vegne av Black & Decker.

R. Laverick
Engineering Director
Black & Decker Europe, 210 Bath Road, Slough,
Berkshire, SL1 3YD
United Kingdom
06/12/2016

Garanti

Black & Decker er trygg på kvaliteten på sine produkter og tilbyr en enestående garanti. Denne garantierklæringen kommer i tillegg til dine lovbestemte rettigheter og er ikke i konflikt med disse. Garantien er gyldig i EU- og EFTA-medlemsstatene.

Hvis et Black & Decker-produkt går i stykker på grunn av material- og/eller fabrikkasjonsfeil eller har mangler i forhold til spesifikasjonene innen 24 måneder fra kjøpet, påtar Black & Decker seg å bytte ut defekte deler, reparere produkter som har vært utsatt for alminnelig slitasje, eller bytte ut slike produkter med minst mulig vanskelighet for kunden, med mindre:

- ◆ Produktet har vært brukt i yrkes-/næringsvirksomhet eller til utleie.
- ◆ Produktet har vært utsatt for feilaktig bruk eller dårlig vedlikehold.
- ◆ Produktet har blitt skadet av fremmede gjenstander eller stoffer eller ved et uhell.
- ◆ Andre enn autoriserte serviceverksteder eller Black & Deckers serviceteknikere har forsøkt å reparere produktet.

For å ta garantien i bruk må du vise kjøpskvittering til forhandleren eller til et autorisert serviceverksted. Du kan finne ut hvor nærmeste autoriserte serviceverksted er, ved å kontakte din lokale Black & Decker-avdeling på adressen som er oppgitt i denne håndboken. En oversikt over autoriserte Black & Decker-serviceverksteder og alle opplysninger om ettersalgsservice og kontakter er også tilgjengelig på Internett: www.2helpU.com

Besøk vårt webområde www.blackanddecker.no for å registrere ditt nye BLACK+DECKER-produkt og for å holde deg oppdatert om nye produkter og spesialtilbud. Du finner mer informasjon om BLACK+DECKER og produktutvalget vårt på www.blackanddecker.no.

Ikke glem å registrere produktet ditt!

www.blackanddecker.no/productregistration Registrer produktet ditt på Internett på www.blackanddecker.no/productregistration, eller send fornavn, etternavn og produktkode til BLACK+DECKER i landet der du bor.

Anvendelsesområde

Din trimmer STC1815, STC1820, STC1820D fra BLACK+DECKER er beregnet til klipning af plænekanter og græsslåning på trange steder. Dette apparat er kun beregnet til privat brug.

Sikkerhedsanvisninger

Advarsel! Ved brug af apparater, der strømforsynes fra forsyningsnettet, er det vigtigt, at grundlæggende sikkerhedsforholdsregler, herunder bl.a. nedenstående, altid følges for at mindske risikoen for brand, elektrisk stød, personskade og materiel skade.

Advarsel! Sikkerhedsreglerne skal følges ved brug af maskinen. Læs denne vejledning, før du bruger maskinen, af hensyn til din egen og omkringståendes sikkerhed. Gem vejledningen til senere brug.

- Læs hele vejledningen omhyggeligt, før du bruger apparatet.
- Den tilsigtede brug er beskrevet i denne vejledning. Brugen af ekstraudstyr eller tilbehør eller udførelse af andet arbejde med dette apparat end det, der anbefales i denne vejledning, kan udgøre en risiko for personskade.
- Opbevar denne vejledning til senere brug.

Brug af apparatet

Vær altid opmærksom ved brugen af apparatet.

- Bær altid sikkerhedsbriller eller beskyttelsesbriller.
- Lad ikke børn eller personer, der ikke har læst denne vejledning, benytte apparatet.

- Lad ikke børn eller dyr komme i nærheden af arbejdsområdet eller røre ved apparatet eller strømforsyningsledningen.
- Vær meget opmærksom, når apparatet benyttes i nærheden af børn.
- Dette apparat må ikke bruges af børn eller svagelige personer uden opsyn.
- Apparatet må ikke bruges som legetøj.
- Brug kun apparatet i dagslys eller ved god kunstig belysning.
- Apparatet må kun bruges på tørre steder. Lad ikke apparatet blive vådt.
- Apparatet må ikke nedsænkes i vand.
- Kabinettet må ikke åbnes. Der er ingen dele inde i kabinettet, som kan serviceres af brugeren.
- Brug ikke apparatet i eksplosive omgivelser, f.eks. hvor der er brændbare væsker, gasser eller støv.
- For at reducere risikoen for beskadigelse af stik eller ledninger må du aldrig trække i ledningen for at tage stikket ud af en stikkontakt.

Andres sikkerhed

- Dette apparat må ikke bruges af personer (herunder børn) med nedsatte fysiske, sensoriske eller mentale evner eller manglende erfaring og viden, med mindre det sker under overvågning, eller der gives instruktion i brugen af apparatet af en person, der er ansvarlig for deres sikkerhed.
- Børn skal holdes under opsyn, så det sikres, at de ikke leger med apparatet.

Restrisici.

Der kan opstå yderligere restrisici under brugen af værktøjet, som ikke kan medtages i vedlagte sikkerhedsadvarsler. Disse risici kan opstå pga. forkert anvendelse, langvarig brug etc.

Selv ved overholdelse af relevante sikkerhedsforskrifter og anvendelse af sikkerhedsudstyr kan visse restrisici ikke undgås. Disse omfatter:

- Tilskadekomst forårsaget af berøring af roterende/bevægelige dele.
- Tilskadekomst forårsaget af udskiftning af dele, blade eller tilbehør.
- Tilskadekomst forårsaget af langvarig brug af et værktøj. Husk at holde pause jævnlige ved brug af et værktøj i længere tid.
- Høreskader.
- Sundhedsrisici forårsaget af indånding af støv, der genereres ved brug af værktøjet (eksempel: arbejde med træ, især eg, bøg og MDF).

Efter brug

- Opbevar apparatet på et tørt, godt ventileret sted uden for børns rækkevidde, når det ikke er i brug.
- Opbevar apparater utilgængeligt for børn.
- Når apparatet opbevares eller transporteres i et køretøj, skal det anbringes i bagagerummet eller fastgøres for at forhindre bevægelse som følge af pludselige ændringer i hastighed eller retning.

Eftersyn og reparationer

- Før brug skal apparatet kontrolleres for beskadigede eller defekte dele. Se efter knækkede dele og eventuelle andre forhold, der kan påvirke apparatets funktion.
- Brug ikke apparatet med beskadigede eller defekte dele.
- Få beskadigede eller defekte dele repareret eller udskiftet på et autoriseret værksted.
- Forsøg aldrig at fjerne eller udskifte dele ud over dem, der er beskrevet i denne vejledning.

Yderligere sikkerhedsvejledning for græstrimmere

Advarsel! Skærelementer fortsætter med at rotere, efter at motoren er stoppet.

- Sæt dig ind i betjeningsknapperne og korrekt brug af apparatet.
- Kontroller strømforsyningsledningen og forlængerledningen for tegn på beskadigelse, ældning og slid før brug. Hvis strømforsyningsledningen bliver beskadiget under brug, skal du omgående tage den ud af stikkontakten. RØR IKKE VED LEDNINGEN, FØR DU HAR TAGET DEN UD AF STIKKONTAKTEN.
- Brug ikke apparatet med beskadigede eller slidte ledninger.
- Bær solide sko eller støvler for at beskytte dine fødder.
- Bær lange bukser for at beskytte dine ben.

- Kontroller, at området er ryddet for grene, sten, ståltråd og andre forhindringer, før du bruger apparatet.
- Brug kun apparatet i lodret stilling med skæretråden i nærheden af jorden. Tænd ikke for apparatet i nogen anden position.
- Bevæg dig langsomt, når du bruger apparatet. Husk, at nyslået græs er fugtigt og glat.
- Undgå at arbejde på stejle skråninger. Arbejd på tværs af skråningen, ikke op og ned.
- Passer ikke grusstier eller veje, mens apparatet kører.
- Rør aldrig skæretråden, mens apparatet kører.
- Læg ikke apparatet ned, før skæretråden står helt stille.
- Brug altid den rigtige type skæretråd. Brug aldrig metaltråd eller fiskesnøre.
- Pas på ikke at røre trådkniven.
- Pas på, at ledningen ikke kommer i nærheden af skæretråden. Vær altid opmærksom på ledningens position.
- Hold altid hænder og fødder væk fra skæretråden, især når motoren startes.
- Kontroller apparatet før brug eller efter et evt. slag for tegn på slid eller beskadigelse, og reparer efter behov.
- Brug aldrig apparatet med beskadigede skærme eller uden skærme.

- Pas på ikke at komme til skade med enheden, der er monteret til afskæring af trådlængden. Når du har trukket ny skæretråd ud, skal du altid sætte maskinen tilbage i normal arbejdsstilling, før den startes.
- Hold altid ventilationsåbningerne fri for snavs.
- Brug ikke plæneklipperen (kanttrimmeren) med beskadigede eller slidte ledninger.
- Hold forlængerledninger væk fra skæreelementer.

Yderligere sikkerhedsvejledninger for batterier og ladere

Batterier

- Forsøg aldrig at åbne uanset årsag.
- Batteriet må ikke udsættes for fugt.
- Opbevar ikke på steder, hvor temperaturen kan overstige 40°C.
- Oplad kun ved omgivelsestemperaturer på mellem 10°C og 40°C.
- Oplad kun ved hjælp af den medfølgende lader.
- Følg vejledningen i afsnittet "Miljøbeskyttelse" ved bortskaffelse af batterier.

Ladere

- Brug kun din BLACK+DECKER-lader til at oplade batteriet i det værktøj, som den blev leveret sammen med. Andre batterier kan eksplodere og forårsage personskade og materielle skader.
- Prøv aldrig på at oplade ikke-opladelige batterier.

- ◆ Udskift straks defekte ledninger.
- ◆ Laderen må ikke udsættes for fugt.
- ◆ Laderen må ikke åbnes.
- ◆ Undersøg ikke laderen.



Laderen er kun beregnet til indendørs brug.



Læs brugervejledningen, før værktøjet tages i brug.



Pas på flyvende genstande. Hold omkringstående på afstand af klippeområdet.



Udsæt ikke apparatet for regn eller høj fugtighed.



Direktiv 2000/14/EF garanteret lydeffekt.

Komponenter

Dette apparat leveres med nogle af eller alle de følgende komponenter.

1. Afbryderkontakt
2. Håndtag
3. Låseknop
4. Batteri
5. Andet håndtag
6. Skærm
7. Spolehus
8. Hoved
9. Strømvælger (kun STC1820)
10. Kanthjul (kun STC1820 & STC1820D)
11. Kantstyr (kun STC1815)

Samling

Advarsel! Før montering skal det sikres, at værktøjet er slukket, og at batteriet er fjernet.

Montering af skærmen (fig. A&B)

- ◆ Fjern skruen fra skærmen.
- ◆ Hold skærmen (6) vinkelret mod trimmerhovedet (8), og lad den glide på plads, indtil der høres et klik (sørg for, at styreskinne (12) på skærmen (6) står ud for styreskinne (13) på trimmerhovedet (8)).
- ◆ Fastgør skærmen (6) med skruen (14).

Advarsel! Brug aldrig værktøjet uden korrekt monteret skærm.

Montering af det andet håndtag (fig. C)

- ◆ Hold begge knapper (15) på siden af håndtaget trykket ind.
 - ◆ Skub det andet håndtag (5) på plads over knapperne (15).
- Advarsel!** Sørg for, at tænderne på knappen sidder rigtigt i åbningerne i håndtaget, og at håndtaget er sikret.

Justering af det andet håndtags stilling (fig. D)

Det andet håndtag (5) kan justeres, så der opnås optimal balance og komfort.

- ◆ Tryk knappen (15) på venstre side af håndtaget ind.
- ◆ Drej det andet håndtag (5) til den ønskede stilling.
- ◆ Slip knappen (15).

Elektricitet og sikkerhed



Laderen er dobbelt isoleret. Derfor er en jordledning ikke nødvendig. Kontroller altid, at netspændingen svarer til spændingen på typeskiltet. Forsøg aldrig at erstatte laderenheden med et almindeligt netstik.

- ◆ Hvis netledningen beskadiges, skal den udskiftes af producenten eller et autoriseret BLACK+DECKER-værksted, så farlige situationer undgås.

Mærkater på apparatet

Værktøjet er forsynet med følgende advarselssymboler samt datokoden:



Læs vejledningen inden brug.



Bær beskyttelses- eller sikkerhedsbriller, når du bruger dette apparat.



Bær egnet høreværn, når du bruger dette apparat.



Tag altid stikket ud af kontakten, før du undersøger et beskadiget kabel. Brug ikke trimmeren, hvis kablet er beskadiget.

Advarsel! Sørg for, at tænderne på knappen sidder rigtigt i åbningerne i håndtaget, og at håndtaget er sikret.

Justering af værktøjs højde (fig. E)

Dette værktøj har en teleskopmekanisme, så du kan indstille en behagelig højde. Der er flere højdeindstillinger.

Højden indstilles som følger:

- ◆ Løsn justeringsringen (16) ved at dreje den med uret.
- ◆ Træk forsigtigt røret (17) ind eller ud af håndtaget (2) til den ønskede højde.
- ◆ Stram justeringsringen (16) ved at dreje den mod uret.

Frigørelse af skæretråd

Under forsendelse er skæretråden tapet fast på spolehuset.

Advarsel! Tag batteriet ud af værktøjet inden det samles.

- ◆ Fjern tapen, der holder skæretråden fast på spolehuset (7).

Isætning og udtagning af batteriet (fig. F)

- ◆ Anbring batteriet (4) ud for værktøjets fatning, når batteriet skal monteres. Lad batteriet glide ind i fatningen, og skub, indtil batteriet går på plads.
- ◆ Tryk på udløserknappen (18), og træk samtidigt batteriet ud af fatningen for at tage det ud.

Anvendelse

Advarsel! Lad værktøjet arbejde i dets eget tempo. Det må ikke overbelastes.

Opladning af batteriet (fig. G)

Batteriet skal oplades inden ibrugtagningen, og når det ikke leverer strøm nok til opgaver, der tidligere kunne udføres ubesværet. Batteriet kan blive varmt under opladningen. Det er normalt og ikke tegn på problemer.

Advarsel! Batteriet må ikke oplades i omgivelsestemperaturer under 10 °C eller over 40 °C. Anbefalet ladetemperatur: ca. 24 °C.

Bemærk: Opladeren oplader ikke et batteri, hvis dets temperatur er under ca. 10°C eller over 40°C.

Batteriet bør blive siddende i opladeren, som automatisk begynder opladningen, når batteriets temperatur stiger eller falder.

- ◆ Sæt batteriet (4) i opladeren (19) for at lade det op. Batteriet passer kun i opladeren på én måde. Tving det ikke i. Kontroller, at batteriet er sat helt i opladeren.
- ◆ Tilslut laderen, og tænd på stikkontakten. Ladeindikatoren (20) blinker konstant grønt (langsomt). Ladningen er afsluttet, når ladeindikatoren (20) lyser konstant grønt. Du kan lade batteriet sidde i laderen med tændt lysdiode. LED'en begynder at blinke grønt (opladning), når laderen en gang imellem "efterfylder" batteriet. Ladeindikatoren (0) lyser, så længe batteriet er tilsluttet til laderen, der er sat i stikkontakten.
- ◆ Afladede batterier bør oplades inden for 1 uge. Batteriets levetid reduceres kraftigt, hvis batteriet opbevares i afladet tilstand.

Lad batteriet blive siddende i opladeren

Du kan lade batteripakken sidde i laderen med tændt lysdiode, så længe det ønskes. Laderen holder batteripakken klar og fuldt opladet.

Fejlfinding ved laderen

Ladeindikatoren (20) blinker hurtigt rødt, hvis laderen registrerer et svagt eller beskadiget batteri. Fortsæt som følger:

- ◆ Sæt batteriet (4) i igen.
- ◆ Hvis ladeindikatoren fortsætter med at blinke hurtigt rødt, skal du bruge et andet batteri til at kontrollere, om opladningen sker korrekt.
- ◆ Hvis det andet batteri lades korrekt, er det oprindelige batteri defekt og skal indleveres til genbrug på et servicecenter.
- ◆ Hvis det andet batteri giver samme fejlvisning som det oprindelige, skal laderen testes på et autoriseret servicecenter.

Bemærk: Det kan tage op til 30 minutter at konstatere, at batteriet er defekt. Hvis batteriet er for varmt eller koldt, blinker lysdioden rødt skiftevis hurtigt og langsomt med et blink ved hver frekvens, hvorefter sekvensen gentages.

Indstilling af værktøjet til trimning eller kantklipping (fig. H,I,J&K)

Værktøjet kan indstilles til trimning som vist i fig. H eller til kantklipping for at fjerne udhængende græs langs plænekant-er og blomsterbede som vist i fig. I.

Indstilling til trimning (fig. E,H&J)

Til trimning skal skærehovedet stilles som vist i fig. J. Hvis det ikke står i den stilling:

- ◆ Fjern batteriet fra værktøjet.
- ◆ Løsn justeringsringen (16) ved at dreje den med uret.
- ◆ Hold håndtaget (2) nede, og drej samtidigt hovedet (8) med uret.
- ◆ Stram justeringsringen (16) ved at dreje den mod uret.

Bemærk! Bemærk: Hovedet roterer kun i én retning.

Indstilling til kantklipping (fig. E,I&K)

Til kantklipping skal skærehovedet stilles som vist i fig. K. Hvis det ikke står i den stilling:

- ◆ Fjern batteriet fra værktøjet.
- ◆ Løsn justeringsringen (16) ved at dreje den med uret.
- ◆ Hold håndtaget (2), og drej samtidigt hovedet (8) mod uret.
- ◆ Stram justeringsringen (16) ved at dreje den mod uret.

Bemærk! Hovedet roterer kun i én retning.

Sådan tænder og slukker du

- ◆ Hold låseknappen (3) trykket ned, og klem udløserarmen (1) for at tænde værktøjet. Når værktøjet kører, kan du slippe låseknappen (3).
- ◆ Stop værktøjet ved at slippe udløserarmen.

Advarsel! Forsøg aldrig at fastlåse udløserarmen i tændt position.

Strømvælger (kun STC1820)

Effektboostfunktionen (9) er placeret på værktøjets håndtag. Den giver mulighed for at optimere værktøjets ydeevne og booste effekten efter behov.

- ◆ Brug tilstanden "ECO" til de fleste former for trimning. (Der opnås længere køretid).
- ◆ Skift til tilstanden "TURBO" efter behov, når der er høje, fugtige eller tykke forhold til stede.

Gode råd til optimal brug

Generelt

- ◆ Det bedste resultat opnås, hvis græsset er tørt.

Trimning

- ◆ Hold værktøjet som vist i fig. J
- ◆ Sving forsigtigt trimmeren fra side til side.
- ◆ Arbejd trinvis fra toppen ved slåning af langt græs. Klip små områder ad gangen.
- ◆ Hold værktøjet væk fra hårde genstande og sarte planter.
- ◆ Skæretråden slides hurtigere og skal hyppigere føres frem, hvis der trimmes langs fortove eller andre slidende overflader, eller hvor der trimmes kraftigt ukrudt.
- ◆ Reducer belastningen, hvis værktøjet begynder at køre langsomt.

Kantklipping

Det bedste resultat opnås på kanter, der er dybere end 50 mm.

- ◆ Brug ikke dette værktøj til at lave kanter. Brug en kant-spade til at lave kanter.
- ◆ Før værktøjet frem på dets hjul (10) eller kantstyr (11) som vist i fig. K.
- ◆ Vip værktøjet let for at skære tættere.

Montering af en ny spole med skæretråd (fig. L)

Nye spoler med skæretråd fås hos BLACK+DECKER-forhandleren (katalognr. A6481).

- ◆ Fjern batteriet fra værktøjet.
- ◆ Hold tappene (21) nede, og fjern spoleafdækningen (22) fra spolehuset (7).
- ◆ Fjern den tomme spole (23) fra spolehuset.
- ◆ Fjern snavs og græs fra spoledækslet og huset.
- ◆ Tag den nye spole, og skub den op på navet i spolehuset. Drej spolen let, indtil den er på plads.
- ◆ Frigør enden af skæretråden, og før tråden gennem øjet (24). Tråden skal hænge ca. 11 cm ud fra spoledækslet.
- ◆ Ret tappene (21) på spoleafdækningen ind efter udskæringerne (25) i spolehuset.
- ◆ Tryk dækslet på spolehuset, til det låses på plads.

Advarsel! Hvis skæretråden hænger længere ud end tråd-kniven (26), klippes den af, så den lige netop når kniven.

Opvinding af ny skæretråd på en tom spole (fig. M, N & O)

Du kan vinde ny skæretråd på en tom spole.

Nye pakker med skæretråd fås hos BLACK+DECKER-forhandleren (katalognr. A6170 (25 m), A6171 (40 m)).

- ◆ Tag den gamle spole ud af værktøjet som beskrevet ovenfor.
- ◆ Fjern evt. resterende skæretråd fra spolen.
- ◆ Før 2 cm skæretråd ind i hullerne (27) i spolen som vist (fig. M).
- ◆ Bøj skæretråden, og fastgør den i den L-formede åbning (28).
- ◆ Vind skæretråden på spolen i pilens retning. Vind tråden ensartet på og i lag. Kryds ikke tråden (fig. O).

- ◆ Når den opspolede skæretråd når fordybningerne (29), skæres tråden over. Lad tråden hænge ca. 11 cm ud af spolen, og hold en finger på tråden for at holde den på plads (fig. N).
- ◆ Fortsæt som beskrevet herover for at montere spolen på værktøjet.

Advarsel! Brug altid den rigtige type skæretråd fra BLACK+DECKER.

Fejlfinding

Følg vejledningen nedenfor, hvis værktøjet ikke synes at fungere korrekt. Hvis dette ikke løser problemet, bedes du kontakte et det lokale BLACK+DECKER-værksted.

Advarsel! Træk stikket ud af stikkontakten, før du fortsætter.

Apparatet kører langsomt

- ◆ Kontroller, at spolehuset kan rotere frit. Rengør det forsigtigt om nødvendigt.
- ◆ Kontroller, at skæretråden ikke hænger mere end 11 cm ud af spolehuset. Hvis den gør, skal den klippes af så den lige netop når trådkniven.

Hvis metoden med at slå enheden mod jorden ikke virker

- ◆ Hold tappene nede, og fjern spoleafdækningen fra huset.
- ◆ Træk i skæretråden, til den hænger 11 cm ud af huset. Sæt en ny spole med skæretråd i, hvis der ikke er tilstrækkelig skæretråd tilbage på spolen.
- ◆ Ret tappene på spoleafdækningen ind efter udskæringerne i huset.
- ◆ Tryk dækslet på huset, til det låses på plads.
- ◆ Hvis skæretråden hænger længere ud end trådkniven, klippes den af, så den lige netop når kniven.

Prøv nedenstående forslag, hvis metoden med at slå enheden mod jorden stadig ikke virker, eller tråden er filtret:

- ◆ Rengør forsigtigt spoleafdækningen og huset.
- ◆ Tag spolen ud, og kontroller, at fjederen sidder korrekt.
- ◆ Tag spolen ud, vind skæretråden af, og vind den derefter ensartet på igen som beskrevet herover. Udskrift spolen som beskrevet i vejledningen.

Vedligeholdelse

Dit BLACK+DECKER-apparat/værktøj med eller uden ledning er beregnet til brug gennem lang tid med et minimum af vedligeholdelse. Fortsat tilfredsstillende drift afhænger af korrekt behandling af værktøjet/apparatet samt regelmæssig rengøring.

Laderen kræver ingen vedligeholdelse, men skal rengøres jævnligt.

Advarsel! Før udførelse af nogen form for vedligeholdelse på elværktøj med/uden ledning:

- ◆ Sluk, og tag apparatets/værktøjets stik ud af stikkontakten.
- ◆ Eller sluk og fjern batteriet fra apparatet/værktøjet, hvis det har en separat batteripakke.
- ◆ Eller aflad batteriet helt, hvis det er indbygget, og sluk derefter.

- ◆ Træk laderen ud af stikkontakten, før den rengøres. Laderen kræver ingen vedligeholdelse, men skal rengøres jævnligt.
- ◆ Rengør jævnligt værktøjets/apparatets og laderens ventilationshuller med en blød børste eller en tør klud.
- ◆ Rengør med jævne mellemrum motorhuset med en fugtig klud. Der må ikke bruges skuremidler eller opløsningsmidler.
- ◆ Rengør regelmæssigt skæretråden og spolen med en blød børste eller en tør klud.
- ◆ Brug jævnligt en uskarp skraber til at fjerne græs og snavs fra apparatet.

Miljø



Separat bortskaffelse. Dette produkt må ikke bortskaffes sammen med almindeligt husholdningsaffald.

Når dit BLACK+DECKER-produkt en dag er udtjent, eller du ikke længere har brug for det, må du ikke smide det ud sammen med det almindelige affald. Produktet skal bortskaffes separat.



Ved separat bortskaffelse af brugte produkter og emballage bliver der mulighed for at genanvende forskellige materialer. Genanvendelse af materialer medvirker til at forebygge miljøforurening og mindsker behovet for råstoffer.

Lokal lovgivning kan kræve separat indsamling af elektriske husholdningsapparater på kommunale affaldsdeponer eller af den detailhandlende ved køb af et nyt produkt.

BLACK+DECKER sørger for at indsamle og genanvende BLACK+DECKER-produkter, når disse ikke længere kan bruges. Hvis du vil benytte dig af denne service, skal du returnere produktet til et autoriseret værksted, der indsamler produkterne for os.

Kontakt det lokale BLACK+DECKER-kontor på den adresse, der er angivet i denne vejledning, for at få oplysninger om nærmeste autoriserede værksted. En liste over alle autoriserede BLACK+DECKER-serviceværksteder samt servicevilkår og kontaktpersoner er tilgængelig på internettet på adressen: www.2helpU.com

Batterier



Når batterier er udtjente, skal de bortskaffes under passende hensyntagen til miljøet:

- ◆ Afład batteriet helt, og tag det derefter ud af værktøjet.
- ◆ NiCd-, NiMH- og Li-Ion-batterier kan genbruges. Anbring batteriet/batterierne i en egnet emballage, så polerne ikke kortsluttes. Aflever dem på et autoriseret værksted eller en lokal genbrugsstation.
- ◆ Kortslut ikke batteriterminalerne.
- ◆ Batteriet/batterierne må ikke kastes på ild, da dette kan medføre personskade eller eksplosion.

Tekniske data

		STC1815 STC1820D H 2	STC1820 H 2
Indgangsspænding	V_{ac}	18	18
Hastighed uden belastning	min ⁻¹	6200	5500-7400
Vægt	kg	2,6	2,6

Batteri		BL1118	BL1318	BL1518	BL2018	BL4018
Spænding	V_{ac}	18	18	18	18	18
Kapacitet	Ah	1.0	1.3	1.5	2.0	4.0
Type		Li-Ion	Li-Ion	Li-Ion	Li-Ion	Li-Ion

Lader		905902** (type 1)
Indgangsspænding	V_{ac}	100 - 240
Udgangsspænding	V_{ac}	8 - 20
Strømstyrke	mA	400

Vægtet vibrationsværdi for hånd/arm i henhold til EN 786:
= 9.0 m/s, usikkerhed (K) = 1.5 m/s.

L_{p} (lydtryk) 76 dB(A)

usikkerhed (K) = 1.6 dB(A)

EU-overensstemmelseserklæring

MASKINDIREKTIV

DIREKTIV VEDRØRENDE UDENDØRS STØJ



STC1815/STC1820/STC1820D trimmer

Black & Decker erklærer, at produkterne beskrevet under "Tekniske data" er i overensstemmelse med: 2006/42/EF, EN 60335-1:2012+A11:2014, EN 60335-2-91:2014

2000/14/EF, plænetrimmer, L ≤ 50 cm, Annex VIII DEKRA Certification B.V., Utrechtseweg 310, 6802 ED Arnhem, Holland
Notified Body ID No.: 0344

Lydintensitetsniveau i henhold til 2000/14/EF (artikel 12, bilag III, L ≤ 50 cm):

L_{m} (målt lydeffekt) 90 dB(A)
usikkerhed (K) = 1.6 dB(A)
 L_{m} (garanteret lydeffekt) 92 dB(A)

Disse produkter er endvidere i overensstemmelse med direktiv 2014/30/EU og 2011/65/EU.

Kontakt Black & Decker på nedenstående adresse eller se vejledningens bagside for at få flere oplysninger.

Undertegnede er ansvarlig for udarbejdelsen af de tekniske data og fremsætter denne erklæring på vegne af Black & Decker.

R. Laverick
Engineering Director
Black & Decker Europe, 210 Bath Road, Slough,
Berkshire, SL1 3YD
United Kingdom
06/12/2016

Garanti

Black & Decker garanterer, at produktet er fri for skader og fejl og tilbyder en fremragende garanti. Garantien er et tillæg til forbrugersens lovsikrede rettigheder og påvirker ikke disse. Garantien gælder inden for medlemsstaterne af den Europæiske Union og i det Europæiske Frihandelsområde.

Hvis et Black & Decker-produkt går i stykker på grund af materiel skade og/eller fabriktionsfejl eller på anden måde ikke fungerer i overensstemmelse med specifikationen inden for 24 måneder fra købsdatoen, påtager Black & Decker sig at reparere eller ombytte produktet med mindst mulig ulempe for kunden. Garantien gælder ikke for fejl og mangler, der er sket i forbindelse med:

- ◆ Produktet har været anvendt erhvervsmæssigt eller til udlejning.
- ◆ Produktet har været anvendt forkert eller er ikke vedligeholdt.
- ◆ Produktet er beskadiget af fremmedlegemer, substanser eller pga. uheld.
- ◆ Garantien gælder ikke, hvis reparationer er udført af andre end et autoriseret Black & Decker-værksted.

For at udnytte garantien skal produktet og købskvitteringen indleveres til forhandleren eller til et autoriseret værksted. Kontakt det lokale Black & Decker-kontor på den adresse, der er opgivet i denne vejledning, for at få oplysninger om nærmeste autoriserede værksted. En liste over alle autoriserede Black & Decker-serviceværksteder samt servicevilkår og kontaktpersoner er tilgængelig på internettet på adressen: www.2helpU.com

Gå venligst ind på vores websted www.blackanddecker.dk for at registrere dit nye BLACK+DECKER-produkt og for at blive holdt ajour om nye produkter og specialtilbud. Der findes yderligere oplysninger om mærket BLACK+DECKER og vores produktsortiment på adressen www.blackanddecker.dk

Husk at registrere dit produkt!

www.blackanddecker.dk/productregistration Registrer dit produkt online på www.blackanddecker.dk/productregistration, eller send dit navn, efternavn og produktkoden til BLACK+DECKER i dit land.

Käyttötarkoitus

BLACK+DECKER -trimmeri STC1815, STC1820, STC1820D on suunniteltu nurmikon reunojen viimeistelyyn ja nurmikon leikkaukseen ahtaissa paikoissa. Laitte on tarkoitettu vain yksityiskäyttöön.

Turvallisuusohjeet

Varoitus! Sähkölaitteita käytettäessä on aina noudatettava asianmukaisia turvaohjeita, jotta tulipalojen, sähköiskujen, henkilövahinkojen ja materiaalivaurioiden riski olisi mahdollisimman pieni.

Varoitus! Laitetta käytettäessä on noudatettava turvallisuussääntöjä. Lue tämä opas huolellisesti läpi ennen koneen käyttöä oman ja muiden turvallisuuden takia. Säilytä ohjeet myöhempää tarvetta varten.

- Lue nämä ohjeet huolellisesti ennen laitteen käyttöä.
- Käyttötarkoitus kuvataan tässä käyttöohjeessa. Muiden kuin tässä käyttöohjeessä suositeltujen lisävarusteiden tai -osien käyttö sekä laitteen käyttö muuhun kuin käyttöohjeessa suositeltuun tarkoitukseen voi aiheuttaa henkilövahingon vaaran.
- Säilytä tämä käyttöohje tulevaa tarvetta varten.

Laitteen käyttö

Ole aina huolellinen käyttäessäsi laitetta.

- Käytä aina suojalaseja.
- Älä koskaan anna lasten tai kenenkään, joka ei ole lukenut käyttöohjetta, käyttää laitetta.
- Älä anna lasten tai eläinten tulla lähelle työskentelyaluetta tai koskea laitteeseen tai sähköjohtoon.

- Jos laitetta käytetään lasten läheisyydessä, on oltava tarkkaavainen.
- Tätä laitetta ei ole tarkoitettu nuorten tai lihasvoimaltaan heikkojen henkilöiden käyttöön ilman valvontaa.
- Laitetta ei tule käyttää leluna.
- Käytä laitetta vain päivänvalossa tai hyvin valaistulla alueella.
- Soveltuu vain kuivaan käyttöympäristöön. Älä anna laitteen kastua.
- Älä upota laitetta veteen.
- Älä avaa laitteen koteloa. Sen sisällä ei ole käyttäjän huollettavissa olevia osia.
- Älä käytä laitetta räjähdysalttiissa ympäristössä, jossa on syttyvää nestettä, kaasua tai pölyä.
- Älä koskaan irrota johtoa pistorasiasta johdosta vetäen. Pistoke ja johto voivat vahingoittua.

Muiden turvallisuus

- Tätä laitetta ei ole tarkoitettu sellaisten henkilöiden käyttöön, joilla on fyysisiä tai älyllisiä rajoitteita tai aistirajoitteita eikä laitteen toimintaan perehtymättömien henkilöiden käyttöön (lapset mukaan luettuina), paitsi valvonnan alaisina tai jos he ovat saaneet laitteen käyttöön liittyvää opastusta heidän turvallisuudestaan vastaavalta henkilöltä.
- Lapsia on valvottava ja estettävä leikkimästä laitteella.

Muut riskit.

Myös muut kuin turvavaroituksissa mainitut riskit ovat mahdollisia työkalua käytettäessä. Nämä riskit voivat liittyä muun muassa virheelliseen tai pitkäaikaiseen käyttöön.

Tiettyjä jäännösriskejä ei voi välttää, vaikka noudatat kaikkia turvamääräyksiä ja käytät turvalaitteita. Näihin kuuluvat muun muassa

- pyörievien tai liikkuvien osien kosketamisen aiheuttamat vahingot
- osia, teriä tai lisävarusteita vaihdettaessa aiheutuneet vahingot
- työkalun pitkäaikaisen käytön aiheuttamat vahingot Kun käytät työkalua pitkään, varmista, että pidät säännöllisesti taukoja.
- kuulovauriot
- työkalua käytettäessä (esimerkiksi puuta, erityisesti tammea, pyökkiä ja MDF-levyjä käsiteltäessä) syntyneen pölyn sisäänhengityksen aiheuttamat terveysriskit.

Käytön jälkeen

- Kun laitetta ei käytetä, säilytä sitä kuivassa, hyvin tuuletetussa paikassa poissa lasten ulottuvilta.
- Pidä laite lasten ulottumattomissa.
- Kun laitetta säilytetään tai kuljetetaan ajoneuvossa, sijoita se tavaratilaan tai kiinnitä se pitävästi niin, ettei se matkan aikana pääse liikkumaan.

Tarkastus ja korjaus

- Tarkista ennen laitteen käyttöä, ettei laitteessa ole vahingoittuneita tai viallisia osia. Tarkista osien ja kytkimien kunto sekä muut seikat, jotka voivat vaikuttaa laitteen toimintaan.
- Älä käytä laitetta, jos jokin sen osa on vahingoittunut tai viallinen.
- Korjauta tai vaihdata vaurioituneet tai vialliset osat valtuutetussa huoltoliikenteessä.
- Älä yritä korjata tai vaihtaa muita kuin tässä käyttöohjeessa erikseen määritellyjä osia.

Ruohotrimmereiden lisäturvaohjeet

Varoitus! Leikkaavien osien pyöriminen jatkuu senkin jälkeen, kun moottori on sammutettu.

- Tutustu hallintalaitteisiin ja opettele laitteen oikea käyttö.
- Tarkista ennen käyttöä, että sähkö- ja jatkojohdot eivät ole vaurioituneet, vanhentuneet tai kuluneet. Jos johto vahingoittuu käytön aikana, irrota johto heti virtalähteestä. **ALA KOSKETA JOHTOA, ENNEN KUIN OLET IRROTTANUT SEN VIRTALAHTTEESTA.**
- Älä käytä laitetta, jos sen johdot ovat vahingoittuneet tai kuluneet.
- Suojaa jalat laitteen käytön aikana käyttämällä tukevia jalkineita.
- Suojaa sääret käyttämällä pitkiä housuja.
- Tarkista ennen laitteen käyttöä, ettei työskentelyalueella ole oksia, kiviä, metallilankaa tai muita esteitä.

- Käytä laitetta vain pystyasennossa, leikkuulanka kuvan mukaisesti lähellä maata. Älä koskaan käynnistä laitetta missään muussa asennossa.
- Liiku hitaasti, kun käytät laitetta. Muista, että juuri leikattu ruoho on kosteaa ja liukasta.
- Älä työskentele jyrkissä rinteissä. Työskentele rinteen korkeussuuntaan nähden poikittain, älä ylhäältä alas tai päinvastoin.
- Älä koskaan kuljeta laitetta sora- tai hiekkateiden yli langan pyöriessä.
- Älä koskaan kosketa leikkuulankaa laitteen ollessa käynnissä.
- Älä laita laitetta maahan, ennen kuin leikkuulanka on täysin pysähtynyt.
- Käytä ainoastaan oikean tyyppistä leikkuulankaa. Älä koskaan käytä metallista leikkuulankaa tai ongensiiamaa.
- Älä koske langan leikkuuterään.
- Pidä verkkovirtajohto aina mahdollisimman kaukana leikkuulangasta. Ota huomioon virtajohdon asento aina laitetta käytettäessä.
- Pidä kädet ja jalat poissa leikkuulangan tieltä etenkin, kun moottori käynnistetään.
- Tarkista laite kulumisen tai vaurioiden varalta ennen työn aloittamista ja iskujen jälkeen. Korjaa puutteet ennen työn jatkamista.
- Älä koskaan käytä laitetta, jos jokin suoja on vaurioitunut tai ei ole paikallaan.

- Varo vahingoittamasta itseäsi leikkuulangan lyhentämiseen varustetulla laitteella. Kun olet pidentänyt uutta leikkuulankaa, aseta laite aina takaisin normaaliin käyttöasentoon ennen käynnistämistä.
- Varmista aina, että ilmanvaihtoaukot ovat puhtaita.
- Älä käytä nurmikkotrimmeriä (reunatrimmeriä), jos sen johdot ovat vahingoittuneet tai kuluneet.
- Pidä jatkojohdot poissa leikkaavien osien tieltä.

Akkuja ja laturia koskevat lisäturvaohjeet

Akku

- Älä koskaan yritä avata akkua.
- Älä anna akun kastua.
- Älä säilytä paristoja tiloissa, joissa lämpötila voi nousta yli 40 °C:een.
- Lataa akku paikassa, jonka lämpötila on vähintään +10 °C ja enintään +40 °C.
- Lataa akku ainoastaan työkalun mukana toimitetulla laturilla.
- Noudata akkujen hävittämisessä Ympäristönsuojelu-kohdassa esitettyjä ohjeita.

Laturit

- Käytä BLACK+DECKERin laturia vain laitteen mukana toimitetun akun lataamiseen. Muut akut voivat räjähtää ja aiheuttaa henkilövahinkoja tai aineellisia vahinkoja.

- Älä koskaan yritä ladata paristoja, joita ei ole tarkoitettu ladattavaksi.
- Vaihda vialliset johdot välittömästi uusiin.
- Älä altista laturia vedelle.
- Älä avaa laturia.
- Älä työnnä mitään laturin sisään.



Laturi on tarkoitettu ainoastaan sisäkäyttöön.



Lue käyttöohjeet huolellisesti ennen laitteen käyttöä.

Sähköturvallisuus



Laturi on kaksoiseristetty, joten erillistä maadoitusta ei tarvita. Tarkista aina, että verkkojännite vastaa arvokilvessä ilmoitettua jännitettä. Älä yritä korvata laturiyksikköä tavallisella verkko-pistokkeella.

- Jos virtajohto vahingoittuu, sen vaihtaminen on turvallisuussyistä jätettävä valmistajan tai valtuutetun BLACK+DECKER -huollon tehtäväksi.

Laitteessa olevat merkinnät Työkaluun on merkitty päivämääräkoodi sekä seuraavat varoitusmerkinnät:



Lue käyttöohje ennen laitteen käyttöönottoa.



Käytä suojalaseja, kun käytät laitetta.



Käytä asianmukaisia kuulosuojaimia, kun käytät laitetta.



Irrota verkkojohto pistorasiasta aina ennen vaurioituneen johdon tarkistamista. Älä käytä trimmeriä, jos virtajohto on vahingoittunut.



Varo sinkoilevia esineitä. Pidä sivulliset poissa leikkausalueelta.



Älä käytä laitetta sateessa tai erittäin kosteissa olosuhteissa.



Direktiivin 2000/14/EY mukainen taattu ääniteho.

Yleiskuvaus

Tässä laitteessa on kaikki tai joitakin seuraavista ominaisuuksista.

1. Virtakytkin
2. Kahva
3. Lukituspainike
4. Akku
5. Lisäkahva
6. Suojus
7. Kelakotelo
8. Pää
9. Tehonvalitsin (vain STC1820)
10. Reunakiikko (vain STC1820 & STC1820D)
11. Reunaohjain (vain STC1815)

Kokoaminen

Varoitus! Varmista ennen trimmerin kokoamista, että sen virta on katkaistu ja akku on irrotettu.

Suojuksen kiinnittäminen (kuva A&B)

- Irrota ruuvi suojuksesta.
- Pidä suojus (6) suoraan trimmerin päätä vasten (8) ja työnnä paikalleen, kunnes lukitusosalpa napsahtaa paikalleen. Varmista, että suojuksen (12) ohjauskiskot (6) on kohdistettu trimmerin pään (13) ohjauskiskojen (8) mukaan.
- Kiinnitä suojus (6) ruuvilla (14).

Varoitus! Älä käytä työkalua, jos suojus ei ole kunnolla paikallaan.

Toisen kahvan kiinnittäminen (kuva C)

- Pidä molemmat kahvan sivulla olevat painikkeet (15) alhaalla.
 - Työnnä lisäkahva (5) paikalleen painikkeiden (15) yli.
- Varoitus!** Varmista, että painikkeen hampaat ovat kahvan koloissa ja että kahva on kiinni.

Lisäkahvan asennon säätäminen (kuva D)

Säädä lisäkahvan (5) asento niin, että trimmeri pysyy tasapainossa ja sen käyttömukavuus on mahdollisimman hyvä.

- ◆ Pidä kädensijan vasemmalla puolella oleva painike (15) alhaalla.
- ◆ Kierrä lisäkahva (5) haluttuun asentoon.
- ◆ Vapauta painike (15).

Varoitus! Varmista, että painikkeen hampaat ovat kahvan koloissa ja että kahva on kiinni.

Työkalun korkeuden säätö (kuva E)

Työkalussa on teleskoopivarsi, jolla sen korkeus voidaan säätää halutuksi. Korkeusasetuksia on useita.

Säädä korkeusasetus seuraavasti:

- ◆ Avaa säätökartio (16) kiertämällä sitä myötäpäivään.
- ◆ Vedä putkea (17) varovasti sisään tai ulos kahvasta (2) haluttuun korkeuteen.
- ◆ Kiristä säätökartio (16) kiertämällä sitä vastapäivään.

Leikkuusiiman vapauttaminen

Leikkuusiima on teipattu kiinni kelakotelon kuljetuksen ajaksi.

Varoitus! Poista akku laitteesta aina ennen kokoamista.

- ◆ Irrota leikkuusiiman kelakoteloon (7) kiinnittävä teippi.

Akun kiinnittäminen ja irrottaminen (kuva F)

- ◆ Kiinnitä akku (4) asettamalla se laitteen kiinnityssyvennyksen kanssa samaan linjaan. Liu'uta akkua kiinnityssyvennykseen, kunnes akku lukittuu paikalleen.
- ◆ Irrota akku painamalla vapautuspainiketta (18) samalla kun vedät akkua irti.

Käyttö

Varoitus! Anna työkalun käydä omaan tahtiinsa. Älä ylikuormita sitä.

Akun lataaminen (kuva G)

Lataa akku ennen ensimmäistä käyttökertaa ja aina silloin, kun se ei enää tuota riittävästi virtaa toimintoihin, jotka aikaisemmin hoituivat helposti. Akku voi lämmetä ladattaessa. Tämä on normaalia, eikä se ole merkki mistään viasta.

Varoitus! Älä lataa akkua, jos ympäristön lämpötila on alle +10 °C tai yli +40 °C. Suositeltava latauslämpötila: noin +24 °C.

Huomautus: Laturi ei lataa akkua, jos akun kennon lämpötila on alle 10 °C tai yli 40 °C. Akku tulee kuitenkin jättää laturiin. Laturi aloittaa lataamisen automaattisesti, kun kennon lämpötila nousee tai laskee riittävästi.

- ◆ Lataa akku (4) asettamalla se laturiin (19). Akku sopii laturiin vain yhdessä asennossa. Älä laita sitä laturiin väkisin. Varmista, että akku on kunnolla laturissa.
- ◆ Kytke laturi pistorasiaan.

Latauksen merkkivalo (20) vilkkuu tasaisesti vihreänä (hitaasti).

Akku on ladattu, kun latauksen merkkivalo (20) palaa keskeytyksettä vihreänä. Akku voidaan jättää laturiin, kun merkkivalo palaa. Merkkivalo voi alkaa vilkkua uudelleen vihreänä ns. täydennyslatauksen ajaksi. Latauksen merkkivalo (20) palaa niin kauan kuin akku on pistorasiaan liitetyssä laturissa.

- ◆ Lataa akut viikon kuluessa tyhjentymisestä. Akkujen käyttöikä lyhenee merkittävästi, jos ne jätetään tyhjiksi pitkäksi aikaa.

Akun jättäminen laturiin

Akku voidaan jättää laturiin, kun merkkivalo palaa. Laturi pitää akun käyttövalmiina ja ladattuna.

Laturin vianmääritys

Jos laturi havaitsee lähes tyhjän tai viallisen akun, latauksen merkkivalo (20) vilkkuu nopeasti punaisena. Toimi seuraavasti:

- ◆ Aseta akku (4) uudelleen laturiin.
- ◆ Jos merkkivalot vilkkuvat edelleen nopeasti punaisina, vaihda akku, jotta saat selville, toimiiko lataus asianmukaisesti.
- ◆ Jos toinen akku latautuu normaalisti, alkuperäinen akku on viallinen ja se on vietävä huoltopisteeseen kierrätettäväksi.
- ◆ Jos toinen akku antaa saman virheilmoituksen kuin alkuperäinen, vie laturi huoltopisteeseen testattavaksi.

Huomautus: Akun kunnan määrittäminen voi kestää 30 minuuttia. Jos akku on liian kuuma tai kylmä, latauksen merkkivalo vilkkuu punaisena vuoroin nopeasti ja hitaasti.

Työkalun asettaminen leikkaus- tai reunojenkäsitelytilaan (kuva H,I,J&K)

Työkalua voidaan käyttää kuvan H mukaisessa tilassa leikkaamiseen tai kuvan I mukaisesti nurmikon reunojen ja kukkapenkien reunusten siistimiseen.

Leikkaaminen (kuva E,H&J)

Leikkaamista varten trimmerin pää asetetaan kuvan J osoittamaan asentoon. Jos se ei ole kuvan osoittamassa asennossa:

- ◆ Irrota akku työkalusta.
- ◆ Avaa säätökartio (16) kiertämällä sitä myötäpäivään.
- ◆ Pidä kiinni kahvasta (2) ja kierrä päätä (8) myötäpäivään.
- ◆ Kiristä kartio (16) kiertämällä sitä vastapäivään.

Huomautus: Huomautus: Pää pyörii vain yhteen suuntaan.

Reunojen käsittely (kuva E,I&K)

Reunojen käsittelyä varten trimmerin pää asetetaan kuvan K osoittamaan asentoon. Jos se ei ole kuvan osoittamassa asennossa:

- ◆ Irrota akku työkalusta.
- ◆ Avaa säätökartio (16) kiertämällä sitä myötäpäivään.
- ◆ Pidä kiinni kahvasta (2) ja kierrä päätä (8) vastapäivään.
- ◆ Kiristä kartio (16) kiertämällä sitä vastapäivään.

Huomautus: Pää pyörii vain yhteen suuntaan.

Käynnistys ja pysäytys

- ◆ Käynnistä työkalu pitämällä lukituspainike (3) alhaalla ja painamalla virrankatkaisijaa (1). Vapauta lukituspainike (3), kun työkalu käy.
- ◆ Sammuta työkalu vapauttamalla virrankatkaisija.

Varoitus! Älä koskaan yritä lukita virrankatkaisijaa käyttöasentoon.

Tehonvalitsin (vain STC1820)

Lisätehokytkin (9) sijaitsee työkalun kahvassa. Sen avulla voit säätää työkalun tehon sopivaksi ja lisätä tehoa tarvittaessa.

- ◆ Käytä trimmeriä tavallisesti leikatessa "ECO". (Akku kestää pidempään.)
- ◆ Käytä "TURBO" tarvittaessa, leikatessasi pitkiä, kosteita tai paksuja kohteita.

Vinkkejä parhaimman tuloksen saavuttamiseksi

Yleistä

- ◆ Paras leikkuutulos saavutetaan leikkaamalla vain kuivaa nurmikkoa.

Trimmaus

- ◆ Pitele trimmeriä kuvan J osoittamalla tavalla.
- ◆ Käännä trimmeriä kevyesti puolelta toiselle.
- ◆ Leikkaa pitkää ruohoa asteittain ylhäältä lähtien. Leikkaa vain vähän kerrallaan.
- ◆ Vältä kovia esineitä tai hentoja kasveja.
- ◆ Leikkulanka kuluu nopeammin ja vaatii useammin tapahtuvaa syöttöä, kun leikkaat jälkäkäytävien tai muiden hiovien pintojen lähellä tai tavallista kovempia rikkaruohoja.
- ◆ Jos työkalu alkaa käydä hitaasti, vähennä kuormitusta.

Reunojen käsittely

Paras leikkuutulos saavutetaan, kun reunuksen syvyys on yli 50 mm.

- ◆ Älä käytä työkalua reunojen tekemiseen. Tee reunat käyttämällä reunauslapiota.
- ◆ Ohjaa työkalua sen pyörän (10) tai reunaohjaimen (11) varassa kuvan K mukaisesti.
- ◆ Lyhennä leikkausjälkeä kallistamalla työkalua hieman.

Uuden siimakelan kiinnittäminen (kuva L)

Uusia siimakeloja myyvät BLACK+DECKER -tuotteiden jälleennyjät (tuotenro A6481).

- ◆ Irrota akku työkalusta.
- ◆ Pidä kelan suojuksen kielekkeitä (21) painettuna ja poista kelan suojus (22) kotelosta (7).
- ◆ Poista tyhjä kela (23) kotelosta.
- ◆ Poista kaikki lika ja ruoho kelan suojuksesta ja kotelosta.
- ◆ Työnä uusi kela kotelon napaan. Kierrä kelaa hieman niin, että se kiinnittyy.
- ◆ Irrota leikkuusiiman pää ja pujota se reikään (24). Siiman on tultava ulos noin 11 cm kelan suojuksesta.
- ◆ Kohdista kelan suojuksen kielekkeet (21) kotelon reikiin (25).
- ◆ Paina suojus kelan koteloon, kunnes se napsahtaa kiinni paikalleen.

Varoitus! Jos leikkuusiimat ylettyvät leikkuuterän (26) yli, leikkaa ne lyhyemmiksi niin, että ne juuri ylettyvät terään.

Uuden siiman kiertäminen tyhjään kelaan (kuva M,N&O)

Tyhjään kelaan on mahdollista kiertää uusi leikkuusiima. Siimapakkauksia myyvät BLACK+DECKER -tuotteiden jälleennyjät (tuotenro A6170 (25 m), A6171 (40 m)).

- ◆ Poista tyhjä kela laitteesta aiempien ohjeiden mukaisesti.
- ◆ Poista kaikki vanha leikkuusiima kelasta.
- ◆ Työnä 2 cm siimaa kelan reikään (27) kuvan M mukaisesti.
- ◆ Taivuta siimaa ja lukitse se L-kirjaimen muotoiseen koloon (28).
- ◆ Kierrä leikkuusiima kelalle nuolen osoittamaan suuntaan. Kelaa siimaa tasaisesti kerroksittain. Älä kelaa sitä edestakaisin (kuva O).
- ◆ Kun kelattu leikkuusiima on syvennyksen (29) tasalla, katkaise siima. Anna siiman tulla ulos kelalta noin 11 cm ja pidä sitä paikallaan sormella painaen (kuva N).
- ◆ Kiinnitä kela laitteeseen aikaisempien ohjeiden mukaisesti.

Varoitus! Käytä vain oikeaa BLACK+DECKERin suosittelmaa leikkuusiimaa.

Vianmääritys

Jos laite ei näytä toimivan oikein, noudata seuraavia ohjeita. Jos tämä ei auta, ota yhteys paikalliseen BLACK+DECKER -huoltooliikkeeseen.

Varoitus! Irrota työkalu pistorasiasta ennen jatkamista.

Laite käy hitaasti

- ◆ Tarkista, että kelan kotelo pääsee pyörimään esteettä. Puhdista se varovasti tarvittaessa.
- ◆ Tarkista, että leikkulankaa ei tule ulos kelan kotelosta yli 11 cm. Jos se tulee, katkaise siima niin, että se juuri ylettyy leikkuuterään.

Automaattinen siimansyöttö ei toimi

- ◆ Pidä kelan suojuksen kielekkeitä painettuna ja poista kelan suojus kotelosta.
- ◆ Vedä siimaa niin, että se tulee ulos kotelosta 11 cm. Jos kelalla ei ole tarpeeksi siimaa, asenna uusi siimakela aikaisempien ohjeiden mukaan.
- ◆ Kohdista kelan suojuksen kielekkeet kotelon reikiin.
- ◆ Paina suojus koteloon, kunnes se napsahtaa kiinni paikalleen.
- ◆ Jos leikkuusiima ylettyy leikkuuterän yli, leikkaa se lyhyemmäksi niin, että se juuri ylettyy terään.

Jos automaattinen siimansyöttö ei vielääkään toimi tai kela on jumissa, kokeile seuraavia toimenpiteitä:

- ◆ Puhdista kelan suojus ja kotelo huolellisesti.
- ◆ Irrota kela ja varmista, että vipu pääsee liikkumaan esteettä.
- ◆ Poista kela, pura siima kelalta ja kierrä se sitten tasaisesti takaisin aikaisempien ohjeiden mukaisesti. Laita kela takaisin aikaisempien ohjeiden mukaisesti.

Huolto

Verkkojohdolla varustettu tai verkkojohdoton BLACK+DECKERin laite/työkalu on suunniteltu toimimaan mahdollisimman kauan mahdollisimman vähällä huollolla. Oikealla huollolla ja säännöllisellä puhdistuksella työkalu/laitte säilyttää suorituskykynsä. Laturi ei tarvitse säännöllisen puhdistamisen lisäksi mitään muuta huoltoa.

Varoitus! Toimi ennen verkkojohdolla varustetun tai verkkojohdoton sähkötyökalun huoltoa seuraavasti:

- ◆ Sammuta laite/työkalu ja irrota se verkkovirrasta.
- ◆ Jos laitteessa/työkalussa on erillinen akku, sammuta laite/työkalu ja irrota sen akku.
- ◆ Jos akku on kiinteä, käytä akku täysin loppuun ja sammuta laite/työkalu sitten.
- ◆ Irrota laturi pistorasiasta ennen laturin puhdistamista. Laturi ei tarvitse säännöllisen puhdistamisen lisäksi mitään muuta huoltoa.
- ◆ Puhdista työkalun, laitteen ja laturin ilma-aukot säännöllisesti pehmeällä harjalla tai kuivalla kangasliinalla.
- ◆ Puhdista moottorikotelo säännöllisesti kostealla liinalla. Älä käytä hankaavia tai liuotinpohjaisia puhdistusaineita.
- ◆ Puhdista leikkuusiima ja kela säännöllisesti pehmeällä harjalla tai kuivalla rievulla.
- ◆ Poista ruoho ja lika suojuksen alta säännöllisesti työpällä kaapimella.

Ympäristönsuojelu



Erillinen keräys. Tätä tuotetta ei saa hävittää normaalin kotitalousjätteen mukana.

Kun BLACK+DECKER -laitteesi aikanaan täytyy vaihtaa tai ei kelpaa enää käyttöön, älä hävitä laitetta kotitalousjätteen mukana. Toimita laite kierrätettäväksi.



Käytettyjen tuotteiden ja pakkausmateriaalien erilliskeruun avulla materiaalit voidaan kierrättää ja käyttää uudelleen. Kierrätysmateriaalien käyttö auttaa vähentämään ympäristön saastumista ja uusien raaka-aineiden tarvetta.

Paikallisissa säädöksissä voidaan määrätä, että kodin sähkötuotteiden keruu tapahtuu kaupunkien jätteidenkäsittelyasemilla tai laitteita myyvissä liikkeissä uuden tuotteen oston yhteydessä.

Kun laitteesi on käytetty loppuun, älä hävitä sitä tavallisten roskien mukana. Vie tuotteesi valtuutettuun huoltoliikkeeseen, joka kerää vanhat laitteet puolestamme.

Saat valtuutettujen huoltoliikkeiden yhteystiedot ottamalla yhteyden BLACK+DECKER Oy:hyn tässä käyttöoppaassa ilmoitetussa osoitteessa. Valtuutettujen BLACK+DECKER -huoltoliikkeiden yhteystiedot sekä lisätietoja palveluistamme ja takuuehdoista on myös Internetissä osoitteessa www.2helpU.com

Akku



Hävitä loppuun kuluneet akut ympäristöstävälisästi.

- ◆ Käytä akku täysin loppuun ja irrota se sitten työkalusta.
- ◆ NiCd-, NiMH- ja Li-Ion-akut ovat kierrätettäviä. Pakkaa akut niin, että navat eivät aiheuta oikosulkuja. Voit viedä akut mihin tahansa valtuutettuun huoltoliikkeeseen tai paikalliseen kierrätyskeskukseen.
- ◆ Käsittele akku niin, että navat eivät joudu oikosulkuun.
- ◆ Älä yritä polttaa akku, sillä se voi aiheuttaa henkilövahinkoja tai räjähtää.

Tekniset tiedot

		STC1815 STC1820D H 2	STC1820 H 2
Tulojännite	V _{ac}	18	18
Kuormittamaton nopeus	min ⁻¹	6200	5500-7400
Paino	kg	2,6	2,6

Akku		BL1118	BL1318	BL1518	BL2018	BL4018
Jännite	V _{ac}	18	18	18	18	18
Capacity	Ah	1.0	1.3	1.5	2.0	4.0
Tyyppi		Li-Ion	Li-Ion	Li-Ion	Li-Ion	Li-Ion

Laturi		905902** (tyyppi 1)
Tulojännite	V _{ac}	100 - 240
Lähtöjännite	V _{dc}	8 - 20
Virta	mA	400

Käteen kohdistuva painotettu värinäarvo EN 786 mukaisesti:
= 9.0 m/s², epätarkkuus (K) = 1.5 m/s².

L_m (äänenpaine) 76 dB(A)
epätarkkuus (K) = 1.6 dB(A)

EY-vaatimustenmukaisuusvakuutus**KONEDIREKTIIVI****ULKOILMAMELUDIREKTIIVI****STC1815/STC1820/STC1820D trimmeri**

Black & Decker ilmoittaa, että tuotteet, jotka on kuvattu kohdassa Tekniset tiedot, täyttävät seuraavien direktiivien vaatimukset:
2006/42/EY, EN 60335-1:2012+A11:2014,
EN 60335-2-91:2014

2000/14/EY, Nurmikkotrimmeri, L ≤ 50 cm, Liite VIII DEKRA Certification B.V., Utrechtseweg 310, 6802 ED Arnhem, Alankomaat
Ilmoitetun elimen tunnusnumero: 0344

Akustisen tehon taso direktiivin 2000/14/EY (artikla 12, liite III, L ≤ 50 cm) mukaisesti:
L_{max} (mitattu ääniteho) 90 dB(A)
epätarkkuus (K) = 1.6 dB(A)
L_{max} (taattu ääniteho) 92 dB(A)

Nämä tuotteet täyttävät myös direktiivien 2014/30/EU ja 2011/65/EU vaatimukset.

Lisätietoja saa ottamalla yhteyden Black & Deckeriin seuraavassa osoitteessa. Tiedot ovat myös käyttöoppaan takakannessa.

Allekirjoittanut vastaa teknisten tietojen kokoamisesta ja antaa tämän ilmoituksen Black & Deckerin puolesta.

R. Laverick
Engineering Director
Black & Decker Europe, 210 Bath Road, Slough,
Berkshire, SL1 3YD
United Kingdom
06/12/2016

Takuu

Black & Decker takaa, ettei tuotteessa ole materiaali- ja/tai valmistusvikaa silloin, kun se toimitetaan ostajalle. Takuu on lisäys kuluttajan laillisiin oikeuksiin eikä vaikuta niihin. Takuu on voimassa Euroopan unionin jäsenmaissa ja Euroopan vapaakauppa-alueella (EFTA).

Mikäli Black & Decker -kone hajoaa materiaali- ja/tai valmistusvirheen tai teknisten tietojen epätarkkuuden vuoksi 24 kuukauden kuluessa ostopäivästä, Black & Decker korjaa koneen ilman kustannuksia ostajalle tai vaihtaa sen Black & Decker Oy:n valinnan mukaan. Takuu ei kata vikoja, jotka johtuvat seuraavista:

- ◆ Tuotetta on käytetty kaupallisesti, ammattimaisesti tai vuokraukseen.
- ◆ Tuotetta on käytetty tai hoidettu virheellisesti.
- ◆ Tuotetta on vahingoitettu vieraalla esineellä tai aineella tai se on ollut onnettomuudessa.
- ◆ Jos korjauksia on yrittänyt joku muu kuin Black & Deckerin valtuuttama edustaja tai Black & Deckerin henkilökunta.

Edellytyksenä takuun saamiselle on, että ostaja jättää koneen ja ostokuitin jälleenmyyjälle tai valtuutetulle huoltoliikkeelle. Saat valtuutettujen huoltoliikkeiden yhteystiedot ottamalla yhteyden Black & Decker Oy:hyn tässä käyttöoppaassa ilmoitetussa osoitteessa. Valtuutettujen Black & Decker -huoltoliikkeiden yhteystiedot sekä lisätietoja palveluistamme ja takuuehdoista on myös Internetissä osoitteessa www.2helpU.com

Käy verkkosivuillemme osoitteessa www.blackanddecker.fi ja rekisteröi uusi BLACK+DECKER -tuotteesi. Sivuilta saat myös tietoa uusista tuotteista ja erikoistarjouksista. Saat lisätietoja BLACK+DECKERin tavaramerkistä ja tuotevalikoimastamme osoitteesta www.blackanddecker.fi.

Älä unohda rekisteröidä tuotetta!

www.blackanddecker.fi/productregistration Rekisteröi tuotteesi verkossa osoitteessa www.blackanddecker.fi/productregistration tai lähetä nimesi, sukunimesi ja tuotekoodisi oman maasi BLACK+DECKERille.

Ενδειγμένη χρήση

Το χορτοκοπτικό STC1815, STC1820, STC1820D BLACK+DECKER είναι σχεδιασμένο για κοπή και φινιρίσμα στις άκρες του γκαζόν και για κοπή χόρτων σε περιορισμένους χώρους. Αυτό το εργαλείο προορίζεται μόνο για ερασιτεχνική χρήση.

Οδηγίες ασφαλείας Προειδοποίηση! Κατά

τη χρήση συσκευών που τροφοδοτούνται με ηλεκτρικό ρεύμα, θα πρέπει να λαμβάνονται πάντα οι βασικές προφυλάξεις ασφαλείας, συμπεριλαμβανομένων των παρακάτω, για τον περιορισμό του κινδύνου πυρκαγιάς, ηλεκτροπληξίας, τραυματισμού προσώπων και υλικών ζημιών.

Προειδοποίηση! Κατά τη χρήση του μηχανήματος, πρέπει να τηρούνται οι κανόνες ασφαλείας. Για τη δική σας ασφάλεια και των παρευρισκομένων, διαβάστε αυτές τις οδηγίες πριν να χρησιμοποιήσετε το εργαλείο. Παρακαλούμε φυλάξτε τις οδηγίες σε ασφαλές μέρος για μεταγενέστερη χρήση.

- Διαβάστε προσεκτικά όλο το περιεχόμενο αυτού του εγχειριδίου πριν χρησιμοποιήσετε τη συσκευή σας.
- Η ενδειγμένη χρήση περιγράφεται σε αυτό το εγχειρίδιο. Τόσο η χρήση εξαρτημάτων ή προσαρτημάτων όσο και η πραγματοποίηση εργασιών με τη συσκευή που δε συνιστώνται σε αυτό το εγχειρίδιο οδηγιών εγκυμονεί κίνδυνο τραυματισμού.
- Φυλάξτε αυτό το εγχειρίδιο για μελλοντική αναφορά.

Χρήση του εργαλείου σας
Προσέχετε πάντα όταν χρησιμοποιείτε το εργαλείο.

- Φοράτε πάντα προστατευτικά γυαλιά ασφαλείας.
- Μην αφήνετε ποτέ μικρά παιδιά ή άτομα που δεν γνωρίζουν τις οδηγίες να χρησιμοποιήσουν τη συσκευή.
- Μην αφήνετε παιδιά ή ζώα να πλησιάσουν στο χώρο εργασίας ή να αγγίζουν τη συσκευή ή το καλώδιο τροφοδοσίας.
- Απαιτείται στενή επίβλεψη κατά τη χρήση της συσκευής πλησίον παιδιών.
- Αυτή η συσκευή δεν προορίζεται για χρήση από νεαρά ή αδύναμα άτομα χωρίς επίβλεψη.
- Η συσκευή αυτή δεν πρέπει να χρησιμοποιείται ως παιχνίδι.
- Χρησιμοποιήστε τη συσκευή μόνο με φως ημέρας ή με επαρκή τεχνητό φωτισμό.
- Να χρησιμοποιείται μόνο σε στεγνή τοποθεσία. Μην αφήνετε να βραχεί η συσκευή.
- Μην εμβυθίζετε τη συσκευή σε νερό.
- Μην ανοίγετε το περίβλημα του σώματος της συσκευής. Δεν υπάρχουν εξαρτήματα στο εσωτερικό που να επιδέχονται επισκευή από το χρήστη.
- Μη θέτετε σε λειτουργία τη συσκευή σε εκρηκτικό περιβάλλον, όπως παρουσία εύφλεκτων υγρών, αερίων ή σκόνης.

- ♦ Για να βγάλετε το φιν από την πρίζα, μην τραβάτε ποτέ το καλώδιο. Έτσι θα αποφύγετε τον κίνδυνο φθοράς του φιν και του καλωδίου.

Ασφάλεια τρίτων

- ♦ Η παρούσα συσκευή δεν προορίζεται για χρήση από άτομα (συμπεριλαμβανομένων παιδιών) με μειωμένες φυσικές, αισθητηριακές ή πνευματικές ικανότητες ή με έλλειψη εμπειρίας και γνώσεων, εκτός και αν παρέχεται επίβλεψη ή καθοδήγηση σχετικά με τη χρήση της συσκευής από άτομο υπεύθυνο για την ασφάλειά τους.
- ♦ Τα παιδιά πρέπει να επιτηρούνται για να εξασφαλίζεται ότι δεν παίζουν με τη συσκευή.

Αναπόφευκτοι κίνδυνοι.

Μπορεί να δημιουργηθούν επιπρόσθετοι αναπόφευκτοι κίνδυνοι όταν χρησιμοποιείτε το εργαλείο, οι οποίοι μπορεί να μην συμπεριλαμβάνονται στις προειδοποιήσεις ασφαλείας που εσωκλείονται. Αυτοί οι κίνδυνοι μπορεί να προκληθούν από κακή χρήση, παρατεταμένη χρήση κτλ. Ακόμα και με την τήρηση των σχετικών κανονισμών ασφαλείας και τη χρήση μέσω προστασίας, ορισμένοι κίνδυνοι δεν είναι δυνατό να εξαλειφθούν. Αυτοί περιλαμβάνουν:

- ♦ Τραυματισμούς από το άγγιγμα των περιστρεφόμενων/κινούμενων μερών.

- ♦ Τραυματισμούς από αλλαγή οπιοινδήποτε εξαρτημάτων, λεπίδων ή αξεσουάρ.
- ♦ Τραυματισμούς από παρατεταμένη χρήση του εργαλείου. Όταν χρησιμοποιείτε οποιοδήποτε εργαλείο για παρατεταμένες χρονικές περιόδους βεβαιωθείτε ότι κάνετε τακτικά διαλείμματα.
- ♦ Προβλήματα ακοής.
- ♦ Οι κίνδυνοι για την υγεία λόγω εισπνοής σκόνης που αναπτύσσεται κατά τη χρήση του εργαλείου σας (παράδειγμα: - εργασία με ξύλο, ειδικά βελανιδιά, οξιά και MDF.)

Μετά τη χρήση

- ♦ Όταν δεν χρησιμοποιείται, η συσκευή πρέπει να φυλάσσεται σε στεγνό, καλά αεριζόμενο χώρο, μακριά από παιδιά.
- ♦ Τα παιδιά δεν πρέπει να έχουν πρόσβαση σε αποθηκευμένες συσκευές.
- ♦ Όταν η συσκευή αποθηκεύεται ή μεταφέρεται μέσα σε όχημα πρέπει να τοποθετείται στο χώρο αποσκευών ή να στερεώνεται ώστε να μη μετακινείται σε περίπτωση απότομων μεταβολών της ταχύτητας ή της κατεύθυνσης του οχήματος.

Έλεγχος και επισκευή

- Πριν από τη χρήση, ελέγξτε τη συσκευή για κατεστραμμένα ή ελαττωματικά τμήματα. Ελέγξτε αν υπάρχουν σπασμένα εξαρτήματα και οποιεσδήποτε άλλες συνθήκες που θα μπορούσαν να επηρεάσουν τη λειτουργία της.
- Μη χρησιμοποιείτε τη συσκευή αν οποιοδήποτε τμήμα είναι κατεστραμμένο ή ελαττωματικό.
- Φροντίστε να γίνει η επισκευή ή η αντικατάσταση των τυχόν ελαττωματικών εξαρτημάτων από εξουσιοδοτημένο κέντρο επισκευών.
- Μην επιχειρήσετε να αφαιρέσετε ή να αντικαταστήσετε οποιαδήποτε τμήματα εκτός από αυτά που ορίζονται στο παρόν εγχειρίδιο.

Συμπληρωματικές οδηγίες ασφαλείας για τα χορτοκοπτικά με μακριά λαβή

Προειδοποίηση! Τα εξαρτήματα κοπής συνεχίζουν να περιστρέφονται και μετά την απενεργοποίηση του μοτέρ.

- Εξοικειωθείτε με τα χειριστήρια και τη σωστή χρήση της συσκευής.

- Πριν από τη χρήση, ελέγξτε προσεκτικά το καλώδιο τροφοδοσίας και το καλώδιο προέκτασης για σημάδια ζημιάς, παλαιώσης ή φθοράς. Εάν κάποιο καλώδιο υποστεί ζημιά κατά τη χρήση, αποσυνδέστε το αμέσως από την πρίζα. **ΜΗΝ ΑΓΓΙΖΕΤΕ ΤΟ ΚΑΛΩΔΙΟ ΠΡΙΝ ΑΠΟΣΥΝΔΕΣΕΤΕ ΤΗΝ ΤΡΟΦΟΔΟΣΙΑ.**
- Μην χρησιμοποιείτε τη συσκευή εάν τα καλώδια είναι κατεστραμμένα ή φθαρμένα.
- Να φοράτε γερά παπούτσια ή μπότες για να προστατεύετε τα πόδια σας.
- Να φοράτε παντελόνι για να προστατεύετε τα πόδια σας.
- Πριν χρησιμοποιείτε τη συσκευή, βεβαιωθείτε ότι στο γκαζόν που θα κόψετε δεν υπάρχουν ξύλα, πέτρες, σύρματα ή άλλα εμπόδια.
- Χρησιμοποιείτε τη συσκευή μόνο σε κατακόρυφη θέση, με τη γραμμή κοπής κοντά στο έδαφος. Ποτέ μην ενεργοποιήσετε τη συσκευή σε οποιαδήποτε άλλη θέση.
- Μετακινηθείτε αργά κατά τη χρήση της συσκευής. Να έχετε υπόψη σας ότι το φρεσκοκομμένο γρασίδι είναι νωπό και ολισθηρό.
- Μην εργάζεστε σε τοποθεσίες με απότομη κλίση. Σε εδάφη με κλίση, να εργάζεστε κατά το πλάτος της κλίσης, όχι προς τα πάνω και κάτω.
- Μην διασχίζετε ποτέ μονοπάτια ή δρόμους με χαλίκι με τη συσκευή σε λειτουργία.

- Μην αγγίζετε ποτέ τη γραμμή κοπής ενώ λειτουργεί η συσκευή.
- Μην ακουμπήσετε κάτω τη συσκευή προτού η γραμμή κοπής ακινητοποιηθεί εντελώς.
- Χρησιμοποιείτε μόνο τον κατάλληλο τύπο γραμμής κοπής. Μην χρησιμοποιείτε ποτέ μεταλλική γραμμή κοπής ή πετονιά για ψάρεμα.
- Προσέξτε να μην αγγίζετε ποτέ τη λεπίδα κοπής γραμμής.
- Προσέξτε ώστε το καλώδιο ρεύματος να παραμένει μακριά από τη γραμμή κοπής. Να έχετε πάντα υπόψη σα τη θέση του καλωδίου.
- Κρατάτε πάντοτε τα χέρια και τα πόδια σας μακριά από τη γραμμή κοπής, ειδικά κατά την ενεργοποίηση του μοτέρ.
- Πριν χρησιμοποιήσετε τη συσκευή και μετά από οποιαδήποτε πρόσκρουση, ελέγχετε για σημάδια φθοράς ή ζημιάς και επισκευάστε εάν είναι απαραίτητο.
- Μην χρησιμοποιείτε ποτέ τη συσκευή με ελαττωματικά προστατευτικά ή χωρίς τα προστατευτικά στη θέση τους.
- Προσέξτε να μην τραυματιστείτε από οποιαδήποτε συσκευή έχει τοποθετηθεί για την κοπή της γραμμής νήματος. Μετά το τέντωμα νέας γραμμής κοπής, πάντοτε επαναφέρετε το μηχάνημα στην κανονική του θέση χειρισμού πριν το ενεργοποιήσετε.
- Εξασφαλίζετε πάντοτε ότι οι εγκοπές εξαιρισμού διατηρούνται καθαρές από υπολείμματα.

- Μη χρησιμοποιείτε το χλοοκοπτικό (εργαλείο κοπής), αν τα καλώδια είναι κατεστραμμένα ή φθαρμένα.
- Κρατήστε τα καλώδια επέκτασης μακριά από στοιχεία κοπής.

Πρόσθετες οδηγίες ασφαλείας για μπαταρίες και φορτιστές


Μπαταρίες

- Μην επιχειρείτε ποτέ να ανοίξετε για οποιονδήποτε λόγο.
- Μην εκθέτετε τη μπαταρία σε νερό.
- Μην αποθηκεύετε σε τοποθεσίες όπου η θερμοκρασία ενδέχεται να υπερβαίνει τους 40 °C.
- Να φορτίζετε μόνο σε θερμοκρασίες περιβάλλοντος μεταξύ 10 °C και 40 °C.
- Να φορτίζετε μόνο με τη χρήση του φορτιστή που παρέχεται με το εργαλείο.
- Κατά την απόρριψη των μπαταριών, να ακολουθείτε τις οδηγίες που παρέχονται στην ενότητα "Προστασία του περιβάλλοντος".

Φορτιστές


- Χρησιμοποιήστε το φορτιστή BLACK+DECKER μόνο για τη φόρτιση της μπαταρίας στο εργαλείο με το οποίο παρεσχέθη. Άλλες μπαταρίες ενδέχεται να εκραγούν και να προκαλέσουν προσωπικό τραυματισμό και ζημία.
- Μην επιχειρείτε να φορτίσετε μη επαναφορτίσιμες μπαταρίες.

- Αντικαταστήστε τα ελαττωματικά καλώδια άμεσα.
- Μην εκθέτετε το φορτιστή σε νερό.
- Μην ανοίγετε το φορτιστή.
- Μη δοκιμάζετε το φορτιστή.

 Ο φορτιστής προορίζεται για χρήση σε εσωτερικούς χώρους μόνο.

 Διαβάστε το εγχειρίδιο οδηγιών πριν από τη χρήση.

Ασφαλής χρήση ηλεκτρικού ρεύματος

 Ο φορτιστής σας φέρει διπλή μόνωση, επομένως δεν απαιτείται σύρμα γείωσης. Ελέγχετε πάντα ότι η τάση τροφοδοσίας αντιστοιχεί σε αυτήν που αναγράφεται στην πινακίδα τεχνικών χαρακτηριστικών. Ποτέ μην επιχειρείτε να αντικαταστήσετε τη μονάδα φορτιστή με έναν κανονικό ρευματολήπτη.

- Αν το καλώδιο τροφοδοσίας είναι κατεστραμμένο, πρέπει να αντικατασταθεί από τον κατασκευαστή ή εξουσιοδοτημένο κέντρο τεχνικής υποστήριξης της BLACK+DECKER για την αποφυγή κινδύνου.

Ετικέτες στη συσκευή

Το εργαλείο φέρει τα παρακάτω προειδοποιητικά σύμβολα μαζί με τον κωδικό ημερομηνίας:



Διαβάστε το εγχειρίδιο οδηγιών πριν από τη λειτουργία.



Φοράτε προστατευτικά γυαλιά όταν χρησιμοποιείτε αυτό το εργαλείο.



Φοράτε ωτασπίδες κατά το χειρισμό του εργαλείου.



Να βγάξετε πάντα το βύσμα από την πρίζα πριν ελέγξετε ένα φθαρμένο καλώδιο. Προσέξτε να μην χρησιμοποιήσετε το χορτοκοπτικό αν το καλώδιο έχει φθαρεί ή καταστραφεί.



Προσέξτε για τυχόν αντικείμενα που εκσφενδονίζονται. Μην αφήνετε να πλησιάσουν άλλα άτομα στην περιοχή κοπής.



Μην εκθέτετε τη συσκευή σε βροχή ή υψηλή υγρασία.



Οδηγία 2000/14/EK περί εγγυημένης ακουστικής ισχύος.

Λειτουργίες

Η παρούσα συσκευή περιλαμβάνει μερικά ή όλα από τα παρακάτω στοιχεία.

1. Διακόπτης on/off
2. Λαβή
3. Κουμπί ξεκλειδώματος
4. Μπαταρία
5. Δεύτερη λαβή
6. Προστατευτικό
7. Περιβλημα καρουλιού
8. Κεφαλή
9. Επιλογή ισχύος (STC1820 μόνο)
10. Τροχός άκρων (STC1820 & STC1820D μόνο)
11. Οδηγός άκρων (STC1815 μόνο)

Συναρμολόγηση

Προειδοποίηση! Πριν από τη συναρμολόγηση, βεβαιωθείτε ότι το εργαλείο είναι απενεργοποιημένο και ότι έχετε αφαιρέσει τη μπαταρία.

Τοποθέτηση του προστατευτικού (εικ. Α&Β)

- ◆ Αφαιρέστε τη βίδα από το προστατευτικό.
 - ◆ Διατηρώντας το προστατευτικό (6) σε ορθή γωνία προς την κεφαλή του χορτοκοπτικού (8) περάστε το στη θέση του μέχρι η γλωττίδα συγκράτησης να κομπώσει στη θέση της (Εξασφαλίστε ότι οι ράγες οδηγού (12) στο προστατευτικό (6) είναι σωστά ευθυγραμμισμένες με τις ράγες οδηγούς (13) στην κεφαλή του χορτοκοπτικού (8).
 - ◆ Ασφαλίστε το προστατευτικό (6) με τη βίδα (14).
- Προειδοποίηση!** Ποτέ μη χρησιμοποιείτε το εργαλείο εάν δεν έχει τοποθετηθεί σωστά το προστατευτικό.

Τοποθέτηση της δεύτερης λαβής (εικ. C)

- ◆ Πιάστε και κρατήστε πατημένα και τα δύο κουμπιά (15) στο πλευρό της λαβής.
- ◆ Συρtez τη δεύτερη λαβή (5) στη θέση της επάνω από τα κουμπιά (15).

Προειδοποίηση! Βεβαιωθείτε ότι τα δόντια στο κουμπί έχουν ευθυγραμμιστεί σωστά με τις εγκοπές στη λαβή και ότι η λαβή έχει ασφαλίσει.

Ρύθμιση της θέσης της δευτερεύουσας λαβής (εικ. D)

Η δεύτερη λαβή (5) μπορεί να ρυθμιστεί για να παρέχει άριστη ισορροπία και άνεση.

- ◆ Πιάστε το κουμπί (15) στην αριστερή πλευρά της λαβής.
- ◆ Περιστρέψτε τη δευτερεύουσα λαβή (5) στην απαιτούμενη θέση.
- ◆ Απελευθερώστε το κουμπί (15).

Προειδοποίηση! Βεβαιωθείτε ότι τα δόντια στο κουμπί έχουν ευθυγραμμιστεί σωστά με τις εγκοπές στη λαβή και ότι η λαβή έχει ασφαλίσει.

Ρύθμιση του ύψους του εργαλείου (εικ. E)

Το εργαλείο αυτό έχει έναν τηλεσκοπικό μηχανισμό, που σας επιτρέπει να το ρυθμίσετε σε ένα άνετο ύψος. Υπάρχουν πολλές ρυθμίσεις ύψους.

Για να ρυθμίσετε το ύψος, προχωρήστε ως εξής:

- ◆ Χαλαρώστε το κολάρο ρύθμισης (16) περιστρέφοντάς το δεξιόστροφα.
- ◆ Τραβήξτε απαλά το σωλήνα (17) μέσα ή έξω από τη λαβή (2) στο επιθυμητό ύψος.
- ◆ Σφίξτε το κολάρο ρύθμισης περιστρέφοντάς το αριστερόστροφα (16).

Απελευθέρωση του νήματος κοπής

Κατά τη μεταφορά, το νήμα κοπής είναι κολλημένο με ταινία στο περίβλημα του καρουλιού.

Προειδοποίηση! Πριν από τη συναρμολόγηση, αφαιρέστε τη μπαταρία από το εργαλείο.

- ◆ Αφαιρέστε την ταινία που συγκρατεί το νήμα κοπής στο περίβλημα του καρουλιού (7).

Τοποθέτηση και αφαίρεση της μπαταρίας (εικ. F)

- ◆ Για να τοποθετήσετε τη μπαταρία (4), ευθυγραμμίστε την με την υποδοχή στο εργαλείο. Περάστε τη μπαταρία μέσα στην υποδοχή και σπρώξτε την μέχρι να ασφαλίσει στη θέση της.
- ◆ Για να αφαιρέσετε τη μπαταρία, πατήστε το κουμπί απασφάλισης (18) και ταυτόχρονα τραβήξτε τη μπαταρία έξω από την υποδοχή.

Χρήση

Προειδοποίηση! Αφήστε το εργαλείο να λειτουργήσει με το δικό του ρυθμό. Μην το υπερφορτώνετε.

Φόρτιση της μπαταρίας (εικ. G)

Η μπαταρία πρέπει να φορτίζεται πριν από την πρώτη χρήση και όποτε αδυνατεί να παρέχει επαρκή ισχύ σε εργασίες που προγενέστερα διεξάγονταν με ευκολία. Η μπαταρία μπορεί να θερμαινείται κατά τη φόρτιση. Κάτι τέτοιο είναι φυσιολογικό και δεν υποδηλώνει πρόβλημα.

Προειδοποίηση! Μην φορτίζετε την μπαταρία σε θερμοκρασίες περιβάλλοντος κάτω από 10°C ή πάνω από 40°C. Συνιστώμενη θερμοκρασία φόρτισης: περίπου 24 °C.
Σημείωση: Ο φορτιστής δε θα φορτίσει μια μπαταρία με θερμοκρασία κυψέλης κάτω από περίπου 10 °C ή πάνω από 40 °C.

Η μπαταρία πρέπει να μείνει στο φορτιστή και αυτός θα αρχίσει να τη φορτίζει αυτόματα μόλις η θερμοκρασία κυψέλης αυξηθεί ή μειωθεί αντίστοιχα.

- ◆ Για να φορτίσετε τη μπαταρία (4), τοποθετήστε την στο φορτιστή (19). Η μπαταρία μπορεί να τοποθετηθεί στο φορτιστή μόνο με έναν τρόπο. Μην ασκείτε δύναμη. Βεβαιωθείτε ότι η μπαταρία είναι τοποθετημένη σωστά στο φορτιστή.
- ◆ Συνδέστε το φορτιστή στο εργαλείο και, στη συνέχεια, συνδέστε τον στο ρεύμα.

Η ενδεικτική λυχνία φόρτισης (20) θα αρχίσει να αναβοσβήνει πράσινη συνεχώς (αργά).

Η φόρτιση έχει ολοκληρωθεί όταν η ενδεικτική λυχνία φόρτισης (20) ανάψει σταθερά πράσινη. Ο φορτιστής και η μπαταρία μπορούν να παραμείνουν συνδεδεμένα επ' αόριστον όσο η ενδεικτική λυχνία LED είναι αναμμένη. Η ενδεικτική λυχνία LED αρχίζει να αναβοσβήνει με πράσινο χρώμα (φόρτιση), καθώς ο φορτιστής αναπληρώνει περιστασιακά το φορτίο της μπαταρίας. Η ενδεικτική λυχνία φόρτισης (20) παραμένει αναμμένη για όσα διάστημα η μπαταρία είναι συνδεδεμένη με το φορτιστή στην πρίζα.

- ◆ Φορτίζετε τις αποφορτισμένες μπαταρίες εντός 1 εβδομάδας. Η διάρκεια ζωής μιας μπαταρίας μειώνεται σημαντικά εάν αυτή αποθηκευτεί σε αποφορτισμένη κατάσταση.

Παραμονή της μπαταρίας στο φορτιστή

Ο φορτιστής και η μπαταρία μπορούν να παραμείνουν συνδεδεμένα με τη λυχνία LED αναμμένη επ' αόριστον. Ο φορτιστής θα διατηρήσει την μπαταρία πλήρως φορτισμένη.

Διαγνωστικά φορτιστή

Εάν ο φορτιστής εντοπίσει μια ασθενή ή κατεστραμμένη μπαταρία, η ενδεικτική λυχνία φόρτισης (20) θα αρχίσει να αναβοσβήνει κόκκινη με γρήγορο ρυθμό. Προχωρήστε ως εξής:

- ◆ Επανατοποθετήστε τη μπαταρία (4).
- ◆ Εάν η ενδεικτική λυχνία φόρτισης συνεχίσει να αναβοσβήνει γρήγορα με κόκκινο χρώμα, χρησιμοποιήστε άλλη μπαταρία για να εξακριβώσετε εάν η διαδικασία φόρτισης εκτελείται σωστά.
- ◆ Εάν η νέα μπαταρία φορτίζεται σωστά, αυτό σημαίνει ότι η αρχική μπαταρία είναι ελαττωματική και θα πρέπει να επιστραφεί σε ένα κέντρο τεχνικής εξυπηρέτησης για ανακύκλωση.

- ♦ Εάν η νέα μπαταρία δίνει την ίδια ένδειξη με την αρχική μπαταρία, παραδώστε το φορτιστή για έλεγχο σε ένα εξουσιοδοτημένο κέντρο τεχνικής εξυπηρέτησης.

Σημείωση: Μπορεί να χρειαστούν μέχρι και 30 λεπτά για να εξακριβωθεί εάν η μπαταρία είναι ελαττωματική. Εάν η μπαταρία είναι πολύ θερμή ή πολύ κρύα, η ενδεικτική λυχνία LED θα αναβοσβήνει με κόκκινο χρώμα σε γρήγορο και αργό ρυθμό εναλλασσόμενα, με μια αναλαμπή σε κάθε ρυθμό και επαναλαμβανόμενα.

Ρύθμιση του εργαλείου στη λειτουργία κοπής ή φινιρίσματος άκρου (εικ. Η,Ι,Ι&Κ)

Το εργαλείο μπορεί να χρησιμοποιηθεί στη λειτουργία κοπής όπως φαίνεται στην εικ. Η ή στη λειτουργία φινιρίσματος άκρου, για να κόψει χόρτα που κρέμονται από το άκρο του γκαζόν ή του παρτεριού όπως φαίνεται στην εικ. Ι.

Λειτουργία κοπής (εικ. Ε,Η&Ι)

Για την κοπή, η κεφαλή κοπής πρέπει να βρίσκεται στη θέση που φαίνεται στην εικ. J. Αν δεν είναι:

- ♦ Αφαιρέστε τη μπαταρία από το εργαλείο.
- ♦ Χαλαρώστε το κολάρο ρύθμισης (16) περιστρέφοντάς το δεξιόστροφα.
- ♦ Ενώ κρατάτε τη λαβή (2), περιστρέψτε την κεφαλή δεξιόστροφα (8).
- ♦ Σφίξτε το κολάρο (16) περιστρέφοντάς το αριστερόστροφα.

Σημείωση: Σημείωση: Η κεφαλή περιστρέφεται μόνο προς μία κατεύθυνση.

Λειτουργία φινιρίσματος άκρου (εικ. Ε,Ι&Κ)

Για το φινιρίσμα, η κεφαλή κοπής πρέπει να βρίσκεται στη θέση που φαίνεται στην εικ. Κ. Αν δεν είναι:

- ♦ Αφαιρέστε τη μπαταρία από το εργαλείο.
- ♦ Χαλαρώστε το κολάρο ρύθμισης (16) περιστρέφοντάς το δεξιόστροφα.
- ♦ Ενώ κρατάτε τη λαβή (2), περιστρέψτε την κεφαλή (8) αριστερόστροφα.
- ♦ Σφίξτε το κολάρο (16) περιστρέφοντάς το αριστερόστροφα.

Σημείωση: Η κεφαλή περιστρέφεται μόνο προς μία κατεύθυνση.

Ενεργοποίηση και απενεργοποίηση

- ♦ Για να ενεργοποιήσετε το εργαλείο, πιέστε και κρατήστε πατημένο το κουμπί απασφάλισης (3) στη συνέχεια πιέστε το μοχλό-σκανδάλη (1). Αφού το εργαλείο αρχίσει να λειτουργεί, μπορείτε να αφήσετε ελεύθερο το κουμπί απασφάλισης (3).
- ♦ Για να απενεργοποιήσετε το εργαλείο, απελευθερώστε το μοχλό-σκανδάλη.

Προειδοποίηση! Μην επιχειρήσετε ποτέ να ασφαλίσετε το μοχλό-σκανδάλη στη θέση ενεργοποίησης (ON).

Επιλογή ισχύος (STC1820 μόνο)

Η λειτουργία power boost (9) βρίσκεται στη λαβή του εργαλείου. Σας επιτρέπει να βελτιστοποιείτε την απόδοση των εργαλείων και να ρυθμίζετε την ισχύ όπως χρειάζεστε.

- ♦ Λειτουργήστε στη θέση "ECO" για τις περισσότερες ανάγκες κοπής. (Θα επιτύχετε μεγαλύτερο χρόνο λειτουργίας.)

- ♦ Χρησιμοποιήστε τη λειτουργία "TURBO" όπως απαιτείται όταν απαιτείται κοπή ψηλών, υγρών ή χοντρών φυτών.

Συμβουλές για άριστη χρήση

Γενικά

- ♦ Για καλύτερα αποτελέσματα κοπής, κόβετε μόνο στεγνά γρασίδι.

Κόψιμο

- ♦ Κρατάτε το εργαλείο όπως υποδεικνύεται στην εικ. J
- ♦ Κινήστε το χορτοκοπτικό απαλά, παλινδρομικά από πλευρά σε πλευρά.
- ♦ Όταν κόβετε ψηλά χόρτα, εργαστείτε σταδιακά από την κορυφή προς τα κάτω. Πραγματοποιήστε μικρές κοπές.
- ♦ Κρατήστε το εργαλείο μακριά από σκληρά αντικείμενα και ευαίσθητα φυτά.
- ♦ Το νήμα κοπής θα φθερίεται ταχύτερα και θα χρειάζεται συχνότερη τροφοδοσία, εάν η κοπή γίνεται κατά μήκος πεζοδρομίων ή άλλων σκληρών επιφανειών ή εάν κόβονται μεγαλύτερα ζιζάνια.
- ♦ Εάν το εργαλείο αρχίσει να λειτουργεί πιο αργά, μειώστε το φορτίο.

Φινιρίσμα άκρου

Άριστα αποτελέσματα κοπής επιτυγχάνονται σε άκρα μήκους άνω των 50 mm.

- ♦ Μη χρησιμοποιήσετε το εργαλείο για τη δημιουργία άκρων. Για τη δημιουργία άκρων, χρησιμοποιήστε ένα φυτάρι κατάλληλο για αυτό.
- ♦ Κατευθύνετε το εργαλείο στον τροχό (10) ή τον οδηγό ακμής (11) όπως φαίνεται στην εικ. Κ.
- ♦ Για να πραγματοποιήσετε μια πλησιέστερη κοπή, γείρετε ελαφρά το εργαλείο.

Τοποθέτηση νέου καρουλιού νήματος (εικ. L)

Ανταλλακτικά καρούλια νήματος διατίθενται από τα εμπορικά σημεία πώλησης προϊόντων BLACK+DECKER (κατ. αριθ. A6481).

- ♦ Αφαιρέστε τη μπαταρία από το εργαλείο.
- ♦ Κρατήστε τις γλωπίδες (21) πιεσμένες και αφαιρέστε το κάλυμμα του καρουλιού (22) από το περίβλημα του καρουλιού (7).
- ♦ Αφαιρέστε το άδειο καρούλι (23) από το περίβλημα του καρουλιού.
- ♦ Αφαιρέστε τυχόν βρωμιές και χόρτα από το κάλυμμα και από το περίβλημα του καρουλιού.
- ♦ Πάρτε το νέο καρούλι και πιέστε το πάνω στην πλήμνη μέσα στο περίβλημα καρουλιού. Περιστρέψτε το καρούλι ελαφρά μέχρι να ασφαλίσει στη θέση του.
- ♦ Ξεκουμπώστε το άκρο του νήματος το πέραστε το νήμα στην οπή (24). Το νήμα πρέπει να προεξέχει περίπου 11 cm από το κάλυμμα του καρουλιού.
- ♦ Ευθυγραμμίστε τις γλωπίδες (21) στο κάλυμμα του καρουλιού με τις εγκοπές (25) στο περίβλημα του καρουλιού.
- ♦ Πιέστε το κάλυμμα μέσα στο περίβλημα του καρουλιού μέχρι να κουμπώσει καλά στη θέση του.

Προειδοποίηση! Εάν το νήμα προεξέχει πέρα από τη λεπίδα κοπής (26), κόψτε το έτσι ώστε μόλις να φτάνει στη λεπίδα.

Τύλιγμα νέου νήματος σε ένα άδειο καρούλι (εικ. M, N & O)

Μπορείτε να τυλίξετε ένα νέο νήμα σε ένα άδειο καρούλι. Ανταλλακτικές συσκευασίες νήματος διατίθενται από τα εμπορικά σημεία πώλησης προϊόντων BLACK+DECKER (κατ. αριθ. A6170 (25 m), A6171 (40 m)).

- ◆ Αφαιρέστε το άδειο καρούλι από το εργαλείο όπως περιγράφεται παραπάνω.
- ◆ Αφαιρέστε τυχόν νήμα κοπής που παραμένει στο καρούλι.
- ◆ Περάστε 2 cm νήματος στην οπή (27) στο καρούλι όπως εικονίζεται (εικ. M).
- ◆ Κάμψτε το νήμα και αγκυρώστε το στην εγκοπή σχήματος L (28).
- ◆ Τυλίξτε το νήμα στο καρούλι προς την κατεύθυνση του βέλους. Βεβαιωθείτε ότι τυλίγεται το νήμα με τάξη και σε στρώσεις. Μην τη διασταυρώνετε (εικ. O).
- ◆ Όταν το τυλιγμένο νήμα φτάσει τις εσοχές (29), κόψτε το νήμα. Αφήστε το νήμα να προεξέχει περ. 11 cm από το καρούλι και πιέστε με ένα δάκτυλο το νήμα για να παραμείνει στη θέση του (εικ. N).
- ◆ Προχωρήστε όπως περιγράφεται παραπάνω για την τοποθέτηση του καρουλιού στο εργαλείο.

Προειδοποίηση! Χρησιμοποιήστε μόνο τον κατάλληλο τύπο νήματος κοπής της BLACK+DECKER.

Αντιμετώπιση προβλημάτων

Σε περίπτωση που το εργαλείο σας δεν φαίνεται να λειτουργεί σωστά, ακολουθήστε τις παρακάτω οδηγίες. Αν αυτό δεν σας βοηθήσει να επιλύσετε το πρόβλημα, παρακαλείστε να επικοινωνήσετε με το πλησιέστερο κέντρο επισκευών της Black+Decker.

Προειδοποίηση! Πριν προχωρήσετε, αποσυνδέστε το εργαλείο από την πρίζα.

Το εργαλείο λειτουργεί αργά

- ◆ Ελέγξτε ότι το περίβλημα του καρουλιού μπορεί να περιστρέφεται ελεύθερα. Καθαρίστε το προσεκτικά, εάν χρειάζεται.
- ◆ Ελέγξτε ότι η γραμμή κοπής δεν προεξέχει περισσότερο από 11 cm από το περίβλημα του καρουλιού. Εάν προεξέχει, κόψτε το ώστε μόλις να φτάνει στη λεπίδα κοπής.

Η αυτόματη τροφοδοσία νήματος δε λειτουργεί

- ◆ Κρατήστε τις γλωττίδες πιεσμένες και αφαιρέστε το κάλυμμα του καρουλιού από το περίβλημα.
- ◆ Τραβήξτε το νήμα κοπής μέχρι να προεξέχει 11 cm από το περίβλημα. Εάν έχει μείνει ανεπαρκές μήκος νήματος κοπής στο καρούλι, τοποθετήστε ένα νέο καρούλι νήματος κοπής σύμφωνα με τις παραπάνω οδηγίες.
- ◆ Ευθυγραμμίστε τις γλωττίδες στο κάλυμμα του καρουλιού με τις εγκοπές στο περίβλημα.
- ◆ Πιέστε το κάλυμμα μέσα στο περίβλημα μέχρι να κουμπώσει καλά στη θέση του.
- ◆ Εάν το νήμα προεξέχει πέρα από τη λεπίδα κοπής, κόψτε το έτσι ώστε μόλις να φτάνει στη λεπίδα.

Εάν η αυτόματη τροφοδοσία νήματος εξακολουθεί να μην λειτουργεί ή εάν το καρούλι έχει φρακάρει, δοκιμάστε τις παρακάτω υποδείξεις:

- ◆ Καθαρίστε προσεκτικά το κάλυμμα του καρουλιού και το περίβλημα.
- ◆ Αφαιρέστε το καρούλι και ελέγξτε εάν ο μοχλός μπορεί να κινηθεί ελεύθερα.
- ◆ Αφαιρέστε το καρούλι και ξετυλίξτε το νήμα κοπής και, στη συνέχεια, τυλίξτε το και πάλι με τάξη όπως περιγράφεται παραπάνω. Αντικαταστήστε το καρούλι σύμφωνα με τις οδηγίες.

Συντήρηση

Αυτή η συσκευή/εργαλείο με καλώδιο/χωρίς καλώδιο της BLACK+DECKER έχει σχεδιαστεί έτσι ώστε να λειτουργεί για μεγάλο χρονικό διάστημα με την ελάχιστη δυνατή συντήρηση. Η αδιάλειπτη και ικανοποιητική λειτουργία του εργαλείου/συσκευής εξαρτάται από τη φροντίδα και τον τακτικό καθαρισμό του.

Ο φορτιστής σας δεν απαιτεί άλλη συντήρηση εκτός του τακτικού καθαρισμού.

Προειδοποίηση! Πριν πραγματοποιήσετε οποιαδήποτε συντήρηση σε ηλεκτρικά εργαλεία με καλώδιο/χωρίς καλώδιο:

- ◆ Απενεργοποιήστε και αποσυνδέστε τη συσκευή/εργαλείο από την πρίζα.
- ◆ Η απενεργοποίησή και αφαιρέστε την μπαταρία από τη συσκευή/εργαλείο, εάν η συσκευή/εργαλείο διαθέτει ξεχωριστή μπαταρία.
- ◆ Η χρησιμοποίησή της μπαταρίας μέχρι να αδειάσει εντελώς και, στη συνέχεια, απενεργοποιήστε τη συσκευή/εργαλείο.
- ◆ Πριν καθαρίσετε το φορτιστή, αποσυνδέστε τον από την πρίζα. Ο φορτιστής σας δεν απαιτεί άλλη συντήρηση εκτός του τακτικού καθαρισμού.
- ◆ Να καθαρίζετε τακτικά τις εγκοπές εξαιρισμού του εργαλείου/συσκευής και του φορτιστή με μια μαλακή βούρτσα ή ένα στεγνό πανί.
- ◆ Να καθαρίζετε τακτικά το περίβλημα του μοτέρ με ένα υγρό πανί. Μη χρησιμοποιείτε λειαντικά καθαριστικά ή υγρά καθαρισμού που περιέχουν διαλυτικά.
- ◆ Να καθαρίζετε τακτικά το νήμα και το καρούλι με μια μαλακή βούρτσα ή με ένα στεγνό πανί.
- ◆ Χρησιμοποιείτε τακτικά μια μη αιχμηρή ζύστρα για να αφαιρέσετε το γρασίδι και το χώμα από το κάτω μέρος του προστατευτικού.

Προστασία του περιβάλλοντος

Ξεχωριστή περισυλλογή. Αυτό το προϊόν δεν πρέπει να απορρίπτεται μαζί με τα κοινά οικιακά απορρίμματα.

Εάν κάποια μέρη διαπιστώσετε ότι το προϊόν σας BLACK+DECKER χρειάζεται αντικατάσταση ή ότι δεν το χρειάζεστε άλλο, μην το απορρίψετε μαζί με τα κοινά οικιακά απορρίμματα, αλλά διαθέστε αυτό το προϊόν για ξεχωριστή περισυλλογή.



Η ξεχωριστή περισυλλογή των μεταχειρισμένων προϊόντων και των υλικών συσκευασίας επιτρέπει την ανακύκλωση και επαναχρησιμοποίηση των υλικών.

Με την επαναχρησιμοποίηση των ανακυκλωμένων υλικών αποτρέπεται η μόλυνση του περιβάλλοντος και μειώνεται η ζήτηση πρώτων υλών.

Οι κανονισμοί που ισχύουν στην περιοχή σας ενδέχεται να προβλέπουν την ξεχωριστή περισυλλογή των ηλεκτρικών συσκευών που προέρχονται από νοικοκυριά σε δημοτικές εγκαταστάσεις ή από τον έμπορο όταν αγοράσετε ένα καινούργιο προϊόν.

Η BLACK+DECKER δίνει τη δυνατότητα ανακύκλωσης των προϊόντων της που έχουν συμπληρώσει τη διάρκεια ζωής τους. Για να χρησιμοποιήσετε αυτήν την υπηρεσία, επιστρέψτε το προϊόν σας σε οποιοδήποτε εξουσιοδοτημένο κέντρο επισκευών, όπου θα το παραλάβουν εκ μέρους μας.

Ενημερωθείτε για το πλησιέστερο εξουσιοδοτημένο κέντρο επισκευών της περιοχής σας, επικοινωνώντας με τα γραφεία της BLACK+DECKER στη διεύθυνση που αναγράφεται στο εγχειρίδιο. Επίσης, μια λίστα με τα εξουσιοδοτημένα κέντρα επισκευών της BLACK+DECKER και πλήρεις λεπτομέρειες για τις υπηρεσίες που παρέχονται μετά την πώληση, καθώς και στοιχεία επικοινωνίας υπάρχουν στο Διαδίκτυο, στη διεύθυνση: www.2helpU.com

Μπαταρίες



Στο τέλος της ωφέλιμης ζωής τους, απορρίψτε τις μπαταρίες με την πρόεπουσα φροντίδα για το περιβάλλον μας:

- ◆ Χρησιμοποιήστε το εργαλείο μέχρι να αδειάσει εντελώς η μπαταρία και, στη συνέχεια, αφαιρέστε την από το εργαλείο.
- ◆ Οι μπαταρίες NiCd, NiMH και Li-Ion είναι ανακυκλώσιμες. Τοποθετήστε την(τις) μπαταρία(ες) σε κατάλληλη συσκευασία για να εξασφαλίσετε ότι οι ακροδέκτες δεν μπορούν να βραχυκυκλώσουν. Παραδώστε τις σε οποιοδήποτε εξουσιοδοτημένο αντιπρόσωπο επισκευών ή στον πλησιέστερο σταθμό ανακύκλωσης της περιοχής σας.
- ◆ Μη βραχυκυκλώνετε τους ακροδέκτες της μπαταρίας.
- ◆ Μην απορρίπτετε την/τις μπαταρία(-ες) στη φωτιά, καθώς ενδέχεται να προκληθεί κίνδυνος τραυματισμού ή έκρηξη.

Τεχνικά χαρακτηριστικά

		STC1815 STC1820D H 2	STC1820 H 2
Τάση εισόδου	V_{in}	18	18
Ταχύτητα χωρίς φορτίο	ελάχ.	6200	5500-7400
Βάρος	kg	2,6	2,6

Μπαταρία		BL1118	BL1318	BL1518	BL2018	BL4018
Τάση	V_{in}	18	18	18	18	18
Capacity	Ah	1.0	1.3	1.5	2.0	4.0
Τύπος		Li-Ion	Li-Ion	Li-Ion	Li-Ion	Li-Ion

Φορτιστής		905902** (τύπ. 1)
Τάση εισόδου	V_{in}	100 - 240
Τάση εξόδου	V_{out}	8 - 20
Ρεύμα	mA	400

Τιμή χειροβραχιονικής δόνησης σύμφωνα με το πρότυπο EN 786:

= 9.0 m/s², αβεβαιότητα (K) = 1.5 m/s².

L_{w} (ηχητική πίεση) 76 dB(A)

αβεβαιότητα (K) = 1.6 dB(A)

Δήλωση συμμόρφωσης EK

ΟΔΗΓΙΑ ΠΕΡΙ ΜΗΧΑΝΗΜΑΤΩΝ

ΟΔΗΓΙΑ ΓΙΑ ΘΟΡΥΒΟΥΣ ΣΕ ΕΞΩΤΕΡΙΚΟΥΣ ΧΩΡΟΥΣ



STC1815/STC1820/STC1820D χορτοκοπτικό

Η Black & Decker δηλώνει ότι τα προϊόντα αυτά που περιγράφονται στα "τεχνικά χαρακτηριστικά" συμμορφώνονται με:
2006/42/EK, EN 60335-1:2012+A11:2014,
EN 60335-2-91:2014

2000/14/EK, Χορτοκοπτικό, $L \leq 50$ cm, Παράρτημα VIII
DEKRA Certification B.V., Utrechtseweg 310,
6802 ED Arnhem, The Netherlands
Αρ. ID Διακοινωνμένου Οργανισμού: 0344

Στάθμη ηχητικής ισχύος σύμφωνα με 2000/14/EK
(Άρθρο 12, Παράρτημα III, $L \leq 50$ cm):

L_{max} (μετρημένη ηχητική ισχύς) 90 dB(A)
αβεβαιότητα (K) = 1.6 dB(A)
 L_{eq} (εγγυημένη ηχητική ισχύς) 92 dB(A)

Αυτά τα προϊόντα συμμορφώνονται επίσης με την οδηγία
2014/30/EU και 2011/65/EE.

Για περισσότερες πληροφορίες, παρακαλείστε να επικοινωνήσετε με την Black & Decker στην παρακάτω διεύθυνση ή να ανατρέξετε στο πίσω μέρος του χειριριδίου. Ο κάτωθι υπογεγραμμένος είναι υπεύθυνος για την κατάρτιση του τεχνικού φακέλου και δηλώνει τα παρόντα εκ μέρους της Black & Decker.

R. Laverick
Engineering Director
Black & Decker Europe, 210 Bath Road, Slough,
Berkshire, SL1 3YD
United Kingdom
06/12/2016

Εγγύηση

Η Black & Decker είναι σίγουρη για την ποιότητα των προϊόντων της και παρέχει μια εξαιρετική εγγύηση. Η παρούσα γραπτή εγγύηση αποτελεί πρόσθετο δικαίωμά σας και δεν ζημιώνει τα νόμιμα δικαιώματά σας. Η εγγύηση ισχύει εντός της επικράτειας των Κρατών Μελών της Ευρωπαϊκής Ένωσης και της Ευρωπαϊκής Ζώνης Ελευθέρων Συναλλαγών.

Σε περίπτωση που κάποιο προϊόν της Black & Decker παρουσιάσει βλάβη εξαιτίας ελαττωματικών υλικών, ποιότητας εργασίας ή έλλειψης συμφωνίας με τις προδιαγραφές εντός 24 μηνών από την ημερομηνία αγοράς, η Black & Decker εγγυάται την αντικατάσταση των ελαττωματικών τμημάτων, την επισκευή προϊόντων που έχουν υποστεί εύλογη φθορά λόγω χρήσης ή την αντικατάσταση των προϊόντων προκειμένου να εξασφαλίσει την ελάχιστη ενόχληση στους πελάτες της, εκτός εάν:

- ♦ Το προϊόν έχει χρησιμοποιηθεί σε εργασιακό, επαγγελματικό περιβάλλον ή έχει ενοικιαστεί.
- ♦ Έχει γίνει εσφαλμένη χρήση του προϊόντος ή έχει παραμεληθεί.
- ♦ Το προϊόν έχει υποστεί βλάβη από άλλα αντικείμενα, από ουσίες ή λόγω ατυχήματος.
- ♦ Έχει γίνει προσάθεια επισκευής από μη εξουσιοδοτημένα κέντρα επισκευών ή από τεχνικούς που δεν ανήκουν στο προσωπικό της Black & Decker.

Για να ισχύσει η εγγύηση, πρέπει να υποβάλετε απόδειξη αγοράς στον πωλητή ή το εξουσιοδοτημένο κέντρο επισκευών. Ενημερωθείτε για το πλησιέστερο εξουσιοδοτημένο κέντρο επισκευών της περιοχής σας, επικοινωνώντας με τα γραφεία της Black & Decker στη διεύθυνση που αναγράφεται στο χειριριδίο. Επίσης, μια λίστα με τα εξουσιοδοτημένα κέντρα επισκευών της Black & Decker και πλήρεις λεπτομέρειες για τις υπηρεσίες που παρέχονται μετά την πώληση, καθώς και στοιχεία επικοινωνίας υπάρχουν στο Διαδίκτυο, στη διεύθυνση: www.2helpU.com

Παρακαλούμε επισκεφθείτε την ιστοσελίδα μας www.blackanddecker.gr για να καταχωρίσετε το νέο σας προϊόν BLACK+DECKER και για να ενημερώνεστε για τα νέα προϊόντα και τις ειδικές προσφορές. Περισσότερες πληροφορίες σχετικά με τη μάρκα BLACK+DECKER και τη σειρά των προϊόντων μας θα βρείτε στη διεύθυνση www.blackanddecker.gr

Μην ξεχάσετε να καταχωρίσετε το προϊόν σας!
www.blackanddecker.gr/productregistration Καταχωρίστε το προϊόν σας στην ιστοσελίδα www.blackanddecker.gr/productregistration ή στείλτε το ονοματεπώνυμό σας και τον κωδικό του προϊόντος σας στην BLACK+DECKER της χώρας σας.

België/Belgique/Luxembourg www.blackanddecker.be enduser.be@sbdinc.com	Stanley Black & Decker Belgium BVBA Egide Walschaertsstraat 16 2800 Mechelen	Tel. NL +32 15 47 37 65 Tel. FR +32 15 47 37 66 Fax. +32 15 47 37 99
Danmark	Black & Decker Roskildevej 22 2620 Albertslund	kundeservice.dk@sbdinc.com www.blackanddecker.dk
Deutschland www.blackanddecker.de infobfge@sdbinc.com	Stanley Black & Decker Deutschland GmbH Black & Decker Str. 40, D - 65510 Idstein	Tel. 06126 21-0 Fax 06126 21-2980
Ελλάδα www.blackanddecker.gr greece.service@sbdinc.com	Stanley Black & Decker (ΕΛΛΑΣ) Ε.Π.Ε ΓΡΑΦΕΙΑ: Σπύριδωνος 7 & Βουλιαγμένης 166 74 Γλυφάδα - Αθήνα	Τηλ. 210-8981616 Φαξ 210-8983570
SERVICE:	Ημερος Τόπος 2 -Χάνι Αδάμ 193 00 Ασπρόπυργος - Αθήνα	Τηλ. Service 210-8985208 Φαξ 210-5597598
España www.blackanddecker.es respuesta.posventa@sbdinc.com	Stanley Black & Decker Ibérica, S.C.A. Parc de Negocis "Mas Blau" Edificio Muntadas, c/Bergadà, 1, Of. A6 08820 El Prat de Llobregat (Barcelona)	Tel. 934 797 400 Fax 934 797 419
France www.blackanddecker.fr	Black & Decker (France) S.A.S. 5 allée des Hêtres B.P. 30084 69579 Limonest Cédex	Tel. 04 72 20 39 20 Fax 04 72 20 39 00
Helvetia www.blackanddecker.ch service@rofoag.ch	ROFO AG Gewerbezone Seeblick 3213 Kleinbödingen	Tel. 026-6749393 Fax 026-6749394
Italia www.blackanddecker.it service.italia@sbdinc.com	Stanley Black & Decker Italia Via Energypark 6 20871 Vimercate (MB)	Tel. 039-9590200 Fax 039-9590313 Numero verde 800-213935
Nederland www.blackanddecker.nl enduser.nl@sbdinc.com	Stanley Black & Decker Netherlands BV Holtum Noordweg 35, 6121 RE BORN Postbus 83, 6120 AB BORN	Tel. +31 164 283 065 Fax +31 164 283 200
Norge	Black & Decker Postboks 4613, Nydalen 0405 Oslo	kundeservice.no@sbdinc.com www.blackanddecker.no
Österreich www.blackanddecker.at service.austria@sbdinc.com	Stanley Black & Decker Austria GmbH Oberlaaerstraße 248, A-1230 Wien	Tel. 01 66116-0 Fax 01 66116-614
Portugal www.blackanddecker.pt resposta.posvenda@sbdinc.com	Black & Decker Limited SARL Quinta da Fonte - Edifício Q55 D. Diniz Rua dos Malhães, 2 e 2A - Piso 2 Esquerdo 2770 - 071 Paço de Arcos	Tel. 214667500 Fax 214667580
Suomi	Black & Decker PL47 00521, Helsinki	asiakaspalvelu.fi@sbdinc.com www.blackanddecker.fi
Sverige	Black & Decker AB Box 94, 431 22 Mölndal	kundservice.se@sbdinc.com www.blackanddecker.se
Türkiye www.blackanddecker.com.tr	KALE Hırdavat ve Makina A.Ş. Defferdar Mah. Savaklar Cad. No:15 Edimekapı / Eyüp / İstanbul 34050	Tel. 0212 533 52 55 Fax. 0212 533 10 05
United Kingdom & Republic Of Ireland www.blackanddecker.co.uk emeaservice@sbdinc.com	Black & Decker 210 Bath Road Slough, Berkshire SL1 3YD	Tel. 01753 511234 Fax 01753 512365
Middle East & Africa www.blackanddecker.ae service.mea@sbdinc.com	Black & Decker P.O.Box - 17164 Jebel Ali Free Zone (South), Dubai, UAE	Tel. +971 4 8863030 Fax +971 4 8863333